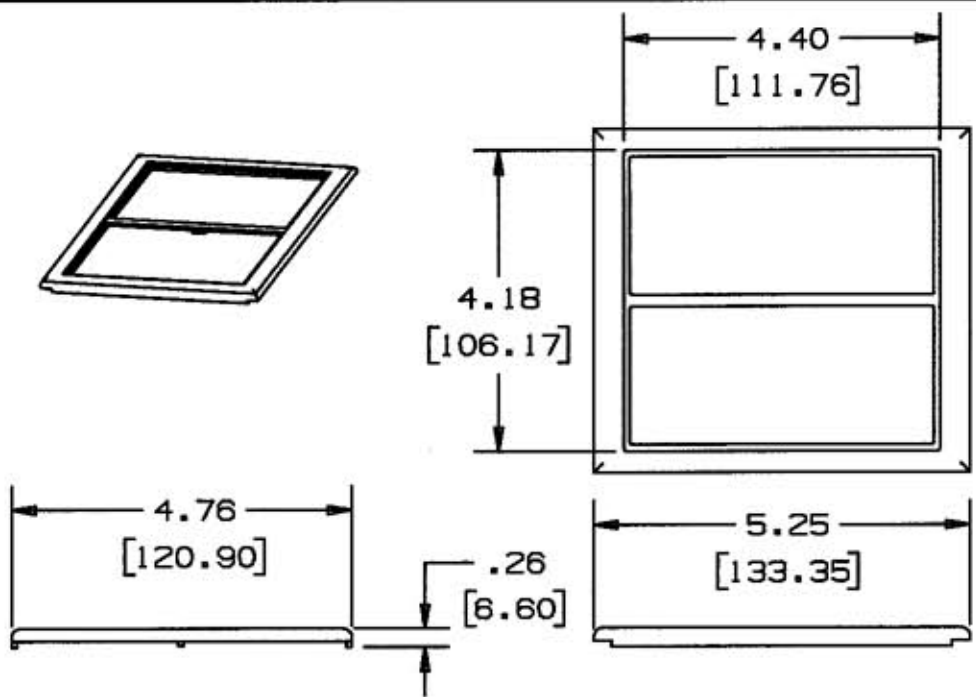
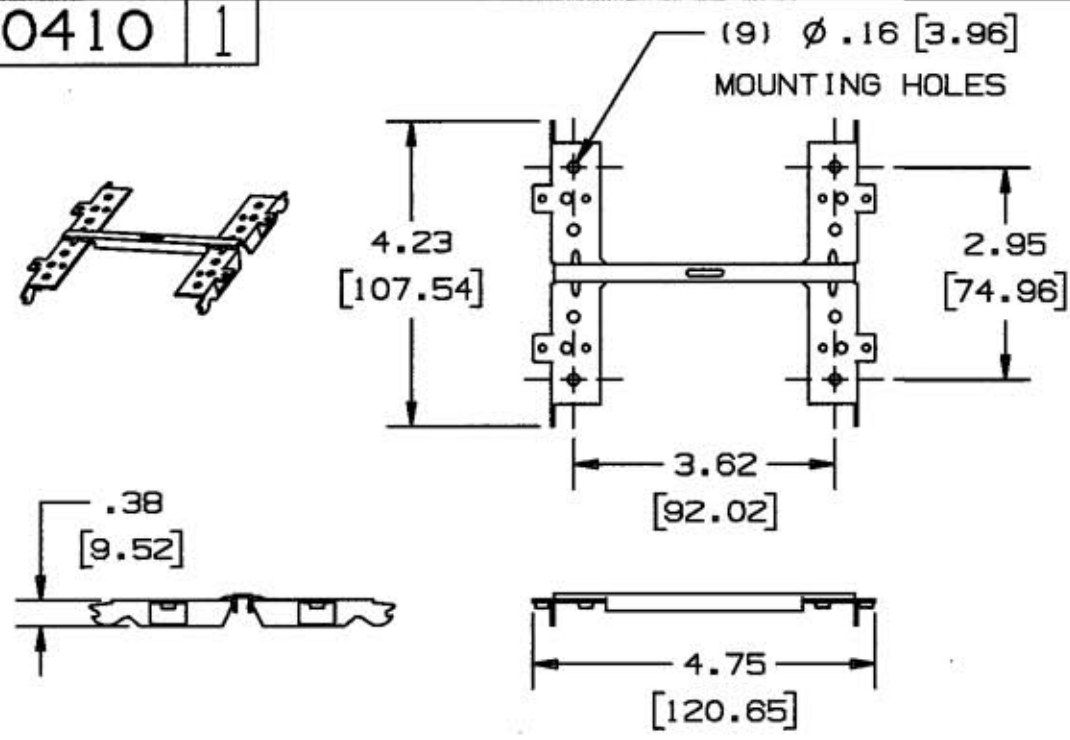


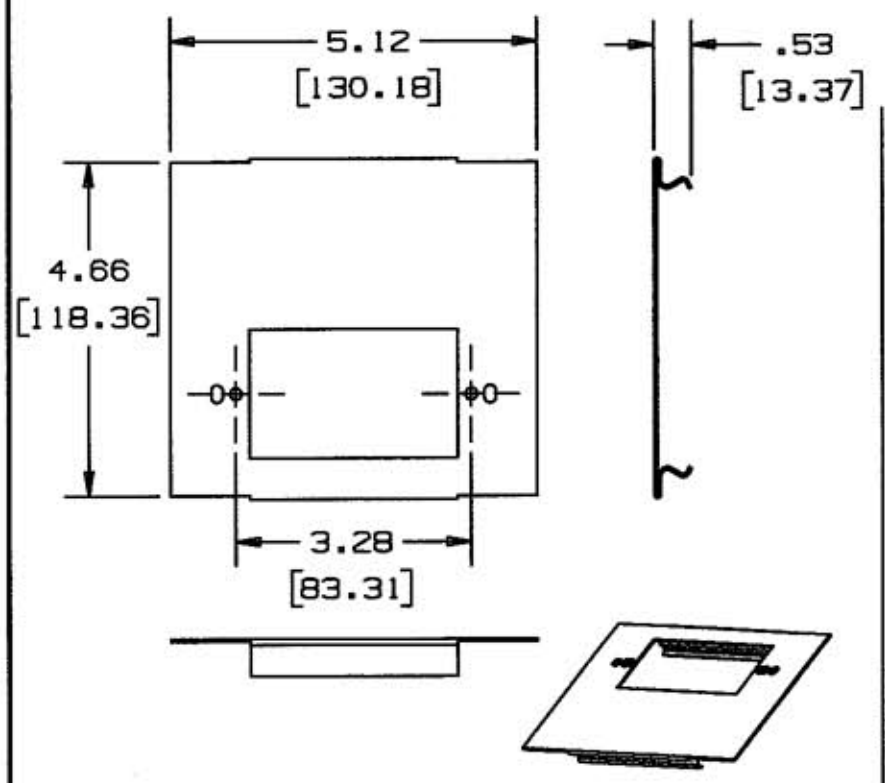
M-10410 1



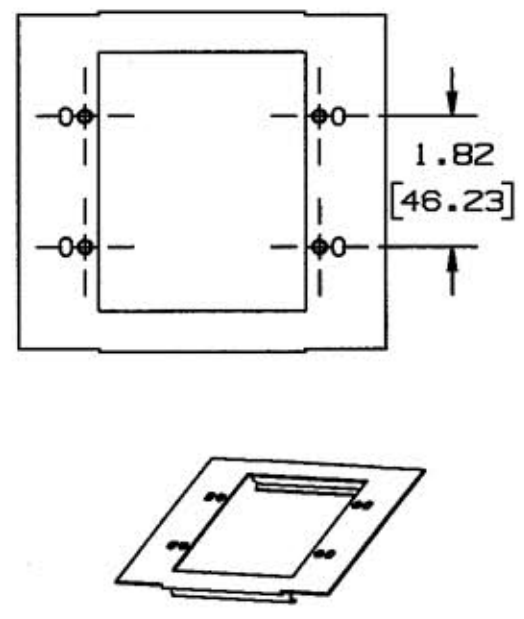
KP MOUNTING BRACKET	
CAT. NO.	COLOR
HBL4750IV	IVORY
HBL4750GY	GRAY



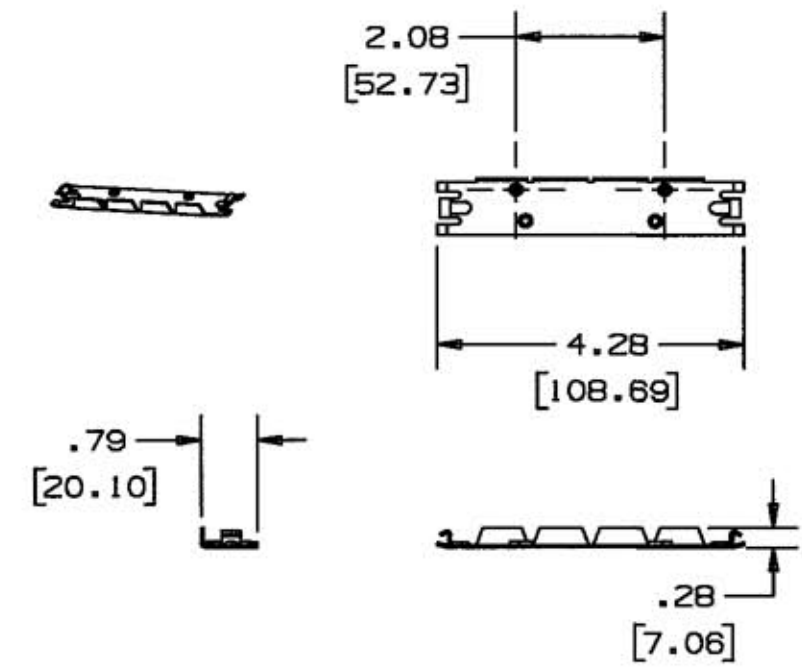
MOUNTING BRACKET SUPPLIED WITH	
CAT. NO.	COLOR
HBL4750IV	IVORY
HBL4750GY	GRAY



1G OVERLAP COVER	
CAT. NO.	COLOR
HBL4747C1IV	IVORY
HBL4747C1GY	GRAY



2G OVERLAP COVER	
CAT. NO.	COLOR
HBL4747C2IV	IVORY
HBL4747C2GY	GRAY



STRAIGHT BRACKET SUPPLIED WITH	
CAT. NO.	COLOR
HBL4747C1IV	IVORY
HBL4747C1GY	GRAY
HBL4747C2IV	IVORY
HBL4747C2GY	GRAY

LIST OF PARTS

DESCRIPTION	MATERIAL	FINISH
COVER PLATE	STEEL	PAINTED
DEVICE PLATE	STEEL	PAINTED
MOUNTING BRACKET	STEEL	PAINTED
STRAIGHT BRACKET	STEEL	PAINTED
MTG. BRACKET BEZEL	PVC OR PC	IVORY OR GRAY

SYMBOL	REVISIONS	APP	DATE
1	RELEASED PER DCN 13554	[Signature]	11/16/06

THE DESIGN AND DIMENSIONS OF THE PRODUCT SHOWN ON THIS DRAWING ARE SUBJECT TO CHANGE WITHOUT NOTICE

TITLE COVER & DEVICE PLATE HBL4750 SERIES

TOLERANCES UNLESS OTHERWISE SPECIFIED	WIRING DEVICE-KELLEMS HUBBELL INCORPORATED BRIDGEPORT, CT	
FRACTIONS ±1/84	DR. BY SRE	APP. BY [Signature]
DECIMALS ±.005	TR. BY	SCALE 1:1
ANGLES ±2°	CHK'D BY [Signature]	DATE 11/16/06

DIMENSION SHEET FOR CAT. NO. M-10410
 REPAIRABLE NON-REPAIRABLE