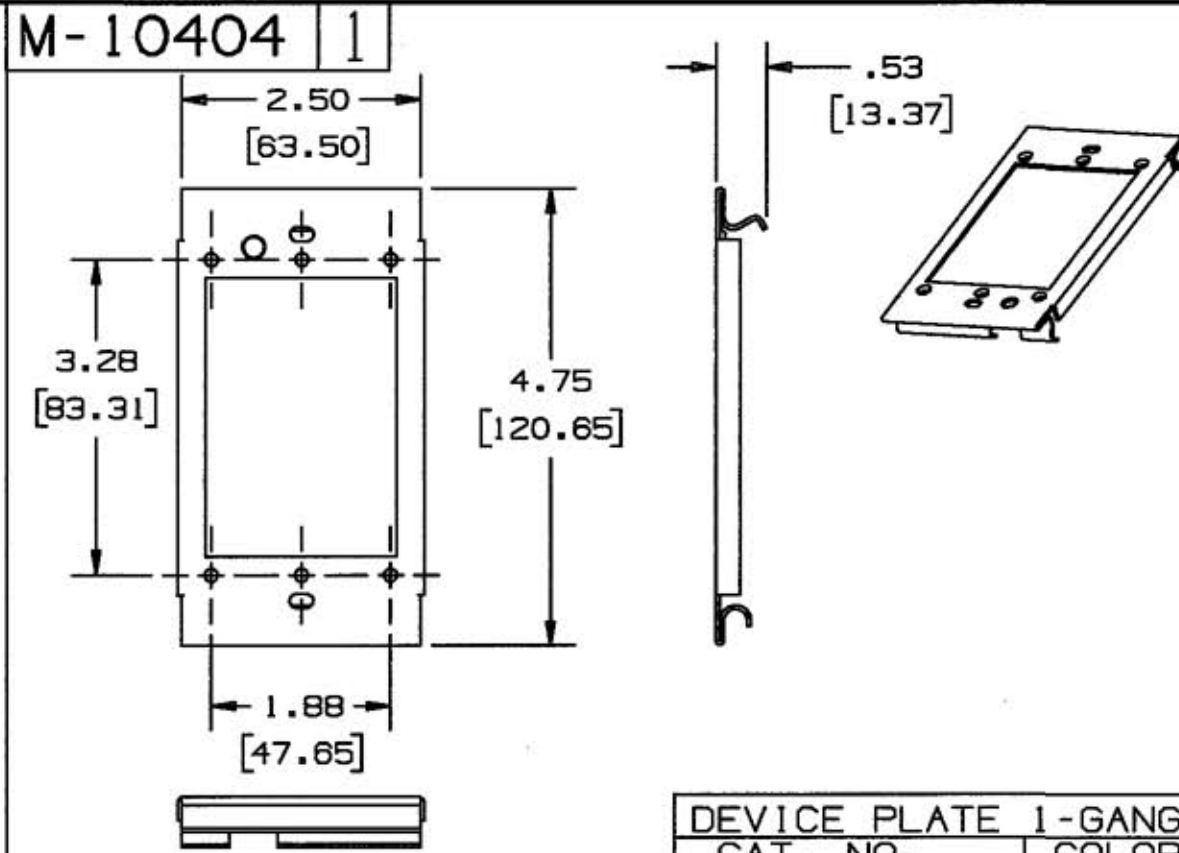
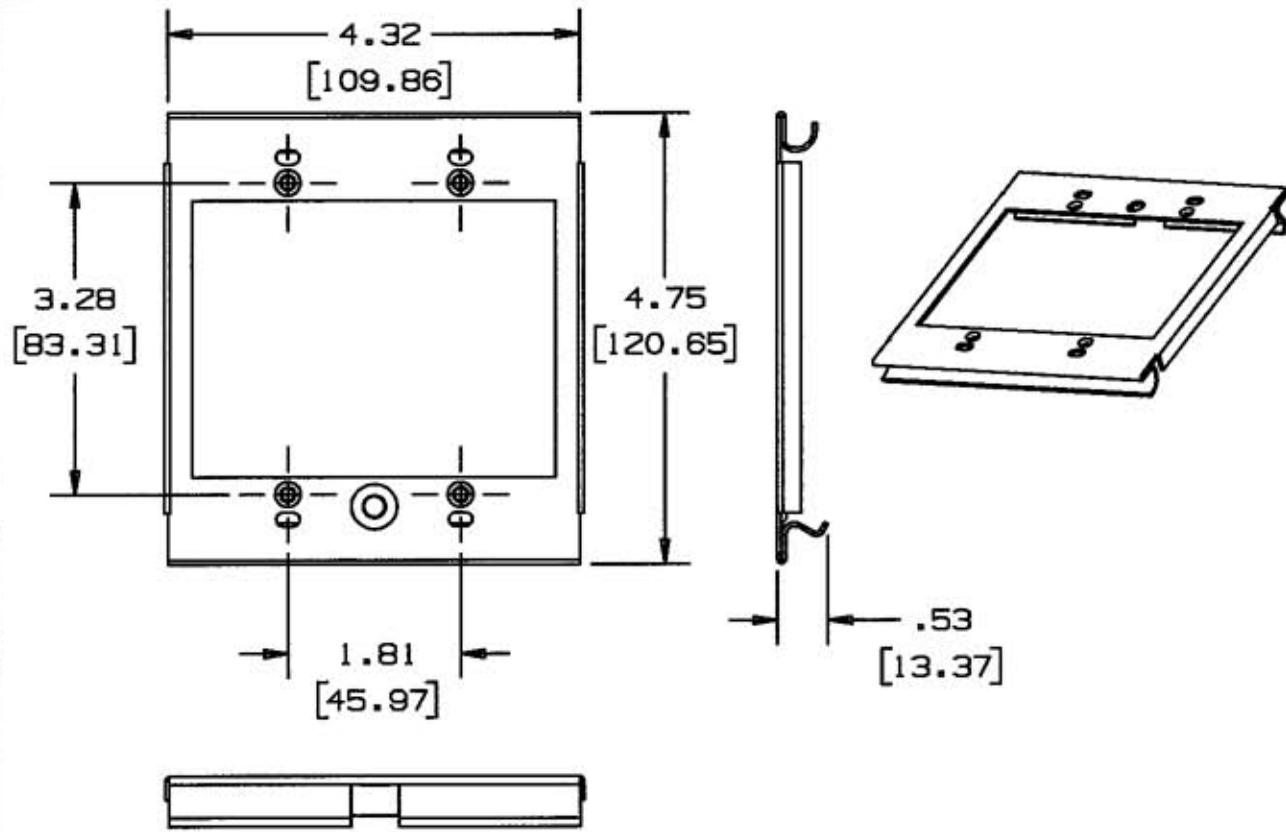


| TAP OFF PLATE |       |
|---------------|-------|
| CAT. NO.      | COLOR |
| HBL4746H2IV   | IVORY |
| HBL4746H2GY   | GRAY  |

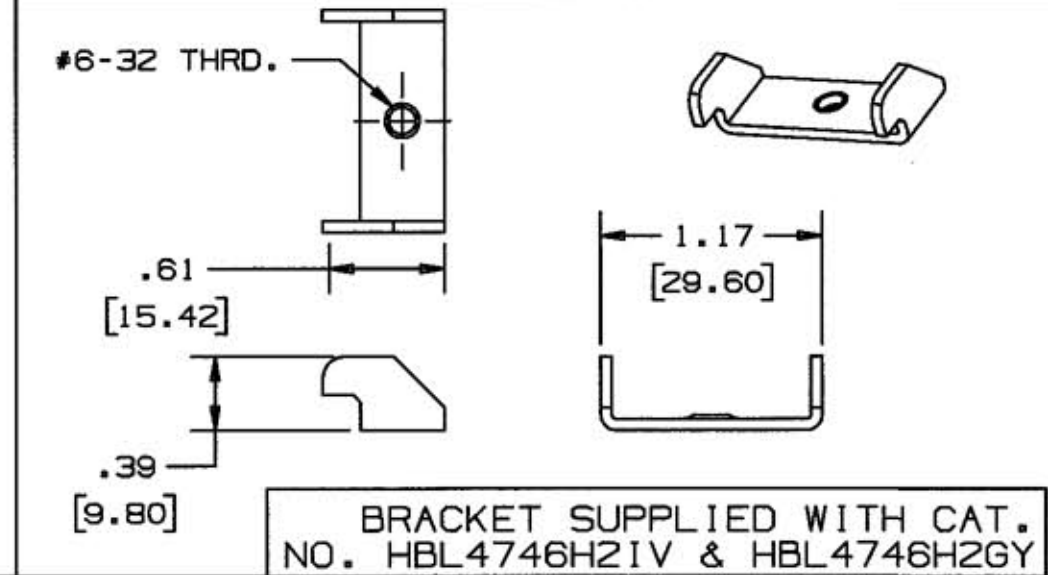
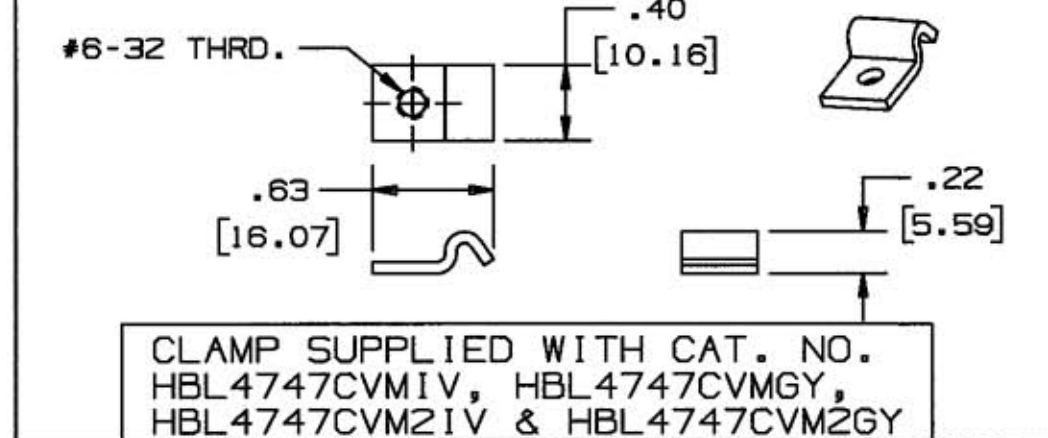


| DEVICE PLATE 1-GANG |       |
|---------------------|-------|
| CAT. NO.            | COLOR |
| HBL4747CVMIV        | IVORY |
| HBL4747CVMGY        | GRAY  |



| DEVICE PLATE 2-GANG |       |
|---------------------|-------|
| CAT. NO.            | COLOR |
| HBL4747CVM2IV       | IVORY |
| HBL4747CVM2GY       | GRAY  |

NOTE: ALL DIMENSIONS  
IN INCHES AND [MM]



LIST OF PARTS

| DESCRIPTION   | MATERIAL | FINISH  |
|---------------|----------|---------|
| TAP OFF PLATE | STEEL    | PAINTED |
| BRACKET       | STEEL    | PAINTED |
| DEVICE PLATE  | STEEL    | PAINTED |
| CLAMP         | STEEL    | PAINTED |

DIMENSION SHEET FOR CAT. NO.

SEE TABLE

REPAIRABLE

NON-REPAIRABLE

B

M-10404

1

| 1   | RELEASED PER DCN 13554 | 11/15/06 |
|-----|------------------------|----------|
| SYM | REVISIONS              | APP DATE |

THE DESIGN AND DIMENSIONS OF THE  
PRODUCT SHOWN ON THIS DRAWING ARE  
SUBJECT TO CHANGE WITHOUT NOTICE

TITLE  
TAP OFF FITTING &  
1 & 2 GANG DEVICE PLATE  
HBL4750 SERIES

|  |   |                     |
|--|---|---------------------|
| TOLERANCES UNLESS OTHERWISE SPECIFIED<br>FRACTIONS $\pm 1/64$<br>DECIMALS $\pm .005$<br>ANGLES $\pm 2^\circ$ | WIRING DEVICE-KELLENS<br>HUBBELL INCORPORATED<br>BRIDGEPORT, CT |                     |
|  | DR. BY SRE  | APP. BY [Signature] |
|  | TR. BY  | SCALE 1:1           |
|  | CHK'D BY [Signature]  | DATE 11/15/06       |