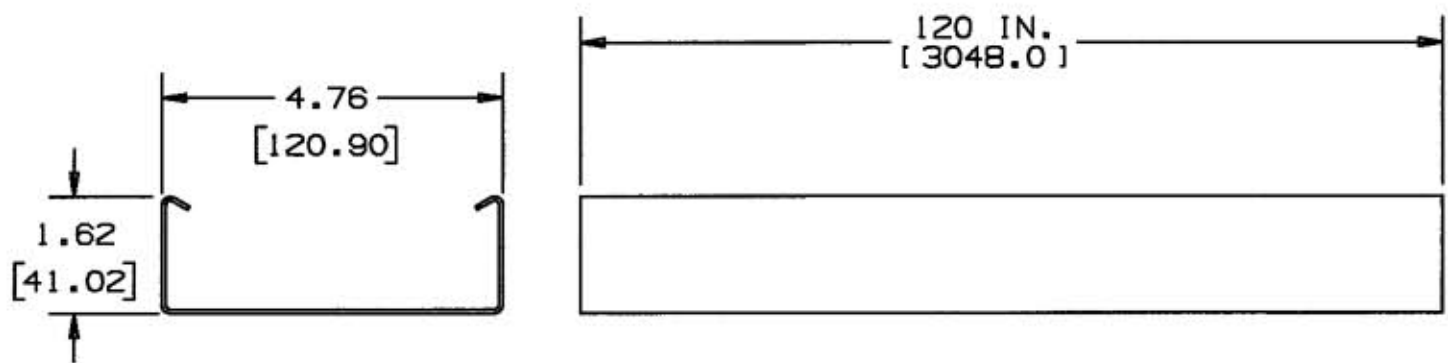
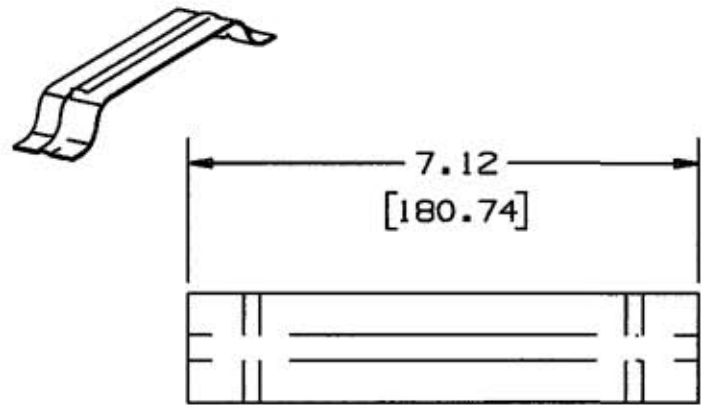


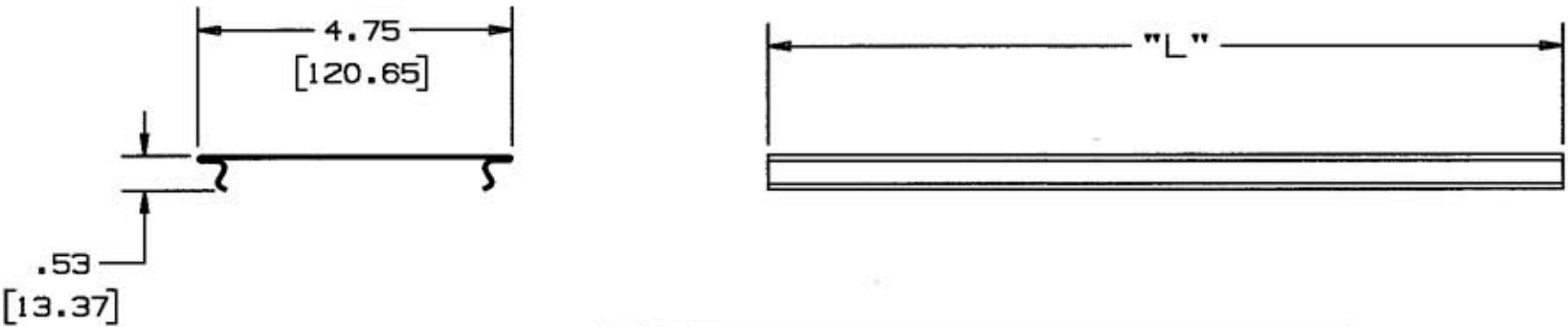
M-10400 1



RACEWAY BASE	
CAT. NO.	COLOR
HBL4750B10IV	IVORY
HBL4750B10GY	GRAY



BYPASS	
CAT. NO.	COLOR
HBL4750BP	IVORY



RACEWAY COVER		
CAT. NO.	"L"	COLOR
HBL4750CIV	60"	IVORY
HBL4750CGY	[1524.0]	GRAY
HBL4750C075IV	7.5"	IVORY
HBL4750C075GY	[190.50]	GRAY
HBL4750C135IV	13.5"	IVORY
HBL4750C135GY	[342.9]	GRAY
HBL4750C195IV	19.5"	IVORY
HBL4750C195GY	[495.3]	GRAY
HBL4750C315IV	31.5"	IVORY
HBL4750C315GY	[800.1]	GRAY

NOTE: ALL DIMENSIONS IN INCHES AND [MM]

LIST OF PARTS

DESCRIPTION	MATERIAL	FINISH
RACEWAY BASE	STEEL	PAINTED
RACEWAY COVER	STEEL	PAINTED
BYPASS	STEEL	PAINTED

REVISIONS	APP	DATE
1	Released per DCN13554	11/15/06

THE DESIGN AND DIMENSIONS OF THE PRODUCT SHOWN ON THIS DRAWING ARE SUBJECT TO CHANGE WITHOUT NOTICE

TITLE METAL RACEWAYS HBL4750 SERIES

TOLERANCES UNLESS OTHERWISE SPECIFIED	WIRING DEVICE-KELLEMS HUBBELL INCORPORATED BRIDGEPORT, CT	
FRACTIONS ± 1/84	DR. BY SRE	APP. BY [Signature]
DECIMALS ± .005	TR. BY	SCALE 1:1
ANGLES ± 2°	CHK'D BY [Signature]	DATE 11/15/06

DIMENSION SHEET FOR CAT. NO. M-10400 1
REPAIRABLE NON-REPAIRABLE