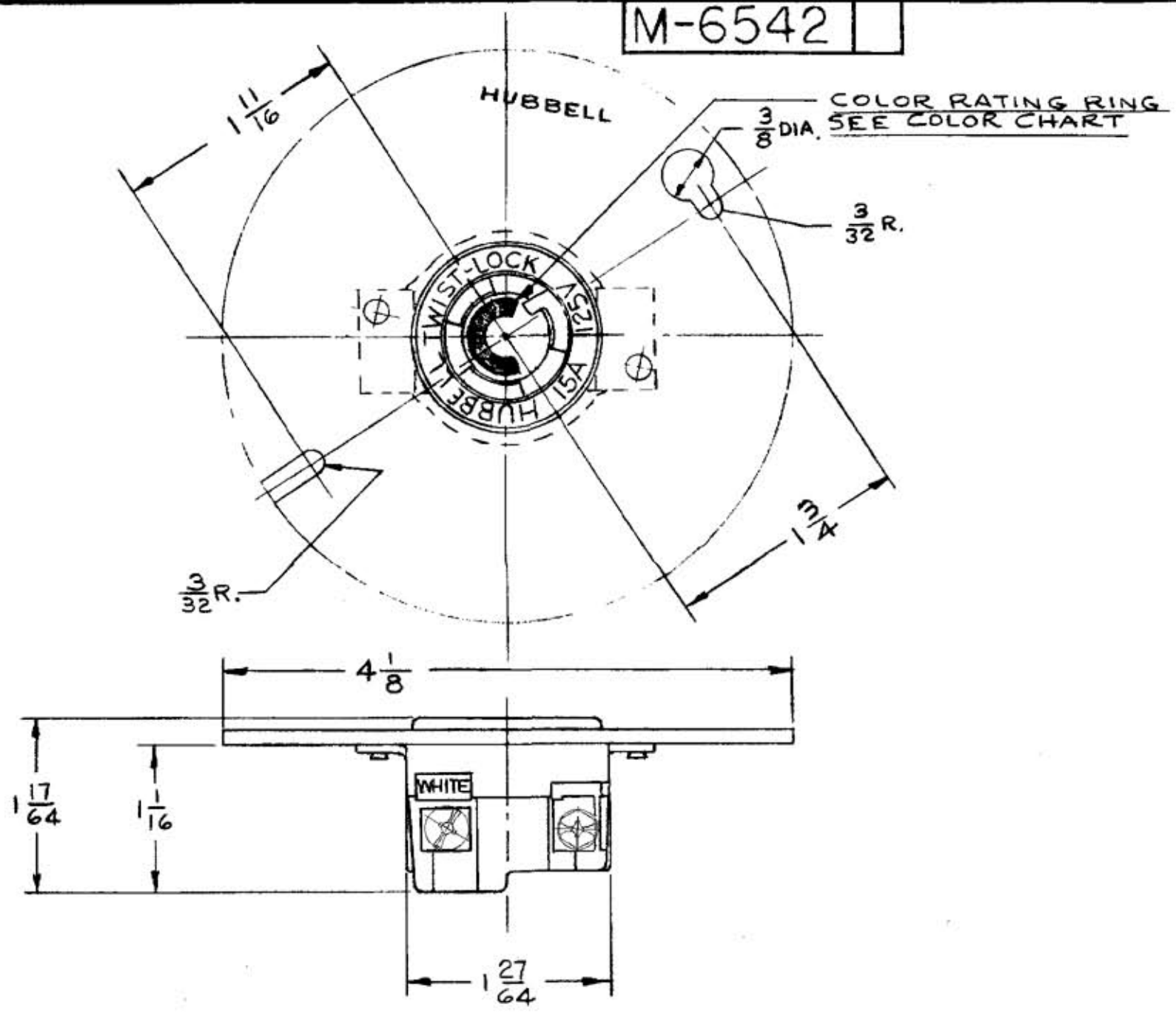


M-6542



CAT NO	CONFIGURATION	RATING	RATING RING COLOR
4711	NEMA L5-15R	15A125V	YELLOW
4761	NEMA L7-15R	15A277V	GRAY

LIST OF PARTS		
DESCRIPTION	MATERIAL	FINISH
BASE	POLYESTER	
COVER	NYLON	
CONTACT SPRINGS	.031 BRASS	
GROUND CONTACT	.031 BRASS	
BRIDGE	.050 STEEL	ZINC PL.
BINDING SCREWS	BRASS	
HEX. HD. BIND. SCR.	BRASS	GREEN
OUTLET BOX COVER	.094 ALUM.	
RIVETS	BRASS	ZINC PL.

SYM	REVISIONS	APP	DATE
1	10-29-02-CHANGED SCREW VIEW TO SHOW TRIDRIVE PER DCN 10294	DVB MYA	10-29-02

THE DESIGN AND DIMENSIONS OF THE PRODUCT SHOWN ON THIS DRAWING ARE SUBJECT TO CHANGE WITHOUT NOTICE

TITLE
15A. 2 POLE 3-WIRE GROUNDING
SINGLE TWIST-LOCK RECEPTACLE
ON A 4" OUTLET BOX COVER

TOLERANCES UNLESS OTHERWISE SPECIFIED	WIRING DEVICE DIVISION HARVEY HUBBELL, INC. BRIDGEPORT, CONN.	
FRACTIONS ± 1/64	DR. BY <u>A.J.L.</u>	APP. BY _____
DECIMALS ± .005	TR. BY _____	SCALE <u>1:1</u>
ANGLES ± 2°	CHK'D. BY _____	DATE <u>1-8-87</u>

CODE 74545

DIMENSION SHEET FOR CAT NO. SEE CHART
 REPAIRABLE NON-REPAIRABLE **B**
M-6542