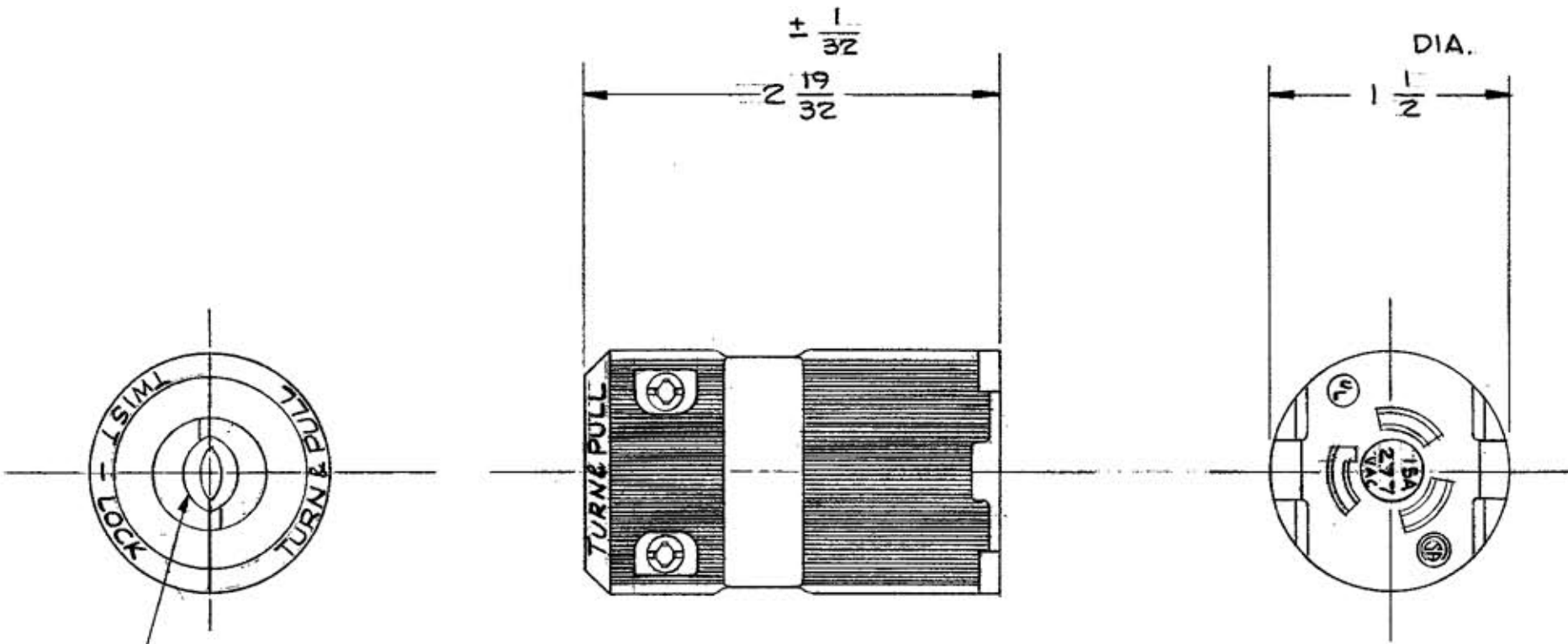


M-6193 2



LIST OF PARTS		
DESCRIPTION	MATERIAL	FINISH
HOUSING	NYLON	
INSERT	(PPO) NOBYL	
CONTACT SPRINGS	BRASS	
GROUND CONTACTS	BRASS	
WIRE CLAMP NUT	C.R. STEEL	NICKEL
BINDING SCREW	STEEL	COPPER
WHITE BIND. SCREW	STEEL	NICKEL
GR. BINDING SCREW	STEEL	GREEN
CORD CLAMP SCREW	STEEL	ZINC.

SYM	REVISIONS	APP	DATE
2	11/8/00 REVISED VIEW OF SCREW TO TRI-DRIVE PER DCN 7978 RCM DVB	<i>[Signature]</i>	11/8/00
1	ADDED (1) CAT. NO. REMOVED "YELLOW" FROM HOUSING FINISH. INSERT MATL WAS BLACK NYLON PER DCN # 4649, 7/25/94.	CAZ	1-20-97

CORD CLAMPS WITH INSERTS TAKE CORDS FROM 19/64 TO 29/64 DIA. & WITHOUT INSERTS FROM 29/64 TO 11/16 DIA.

TITLE
 15A. 277 VAC 3 WIRE GROUNDING
 TWIST-LOCK VALISE CONNECTOR

TOLERANCES UNLESS OTHERWISE SPECIFIED		HARVEY HUBBELL, INC.	
FRACTIONS $\pm 1/64$		BRIDGEPORT, CONN.	
DECIMALS $\pm .005$		DR. BY <i>P.M.</i>	APP. BY
ANGLES $\pm 2^\circ$		TR. BY	SCALE <i>FULL</i>
		CHK'D. BY	DATE <i>3-19-80</i>

CODE 74545

DIMENSION SHEET FOR CAT. NO. 4779-VV, HBL4779V13K
 REPAIRABLE NON-REPAIRABLE
B
M-6193
2