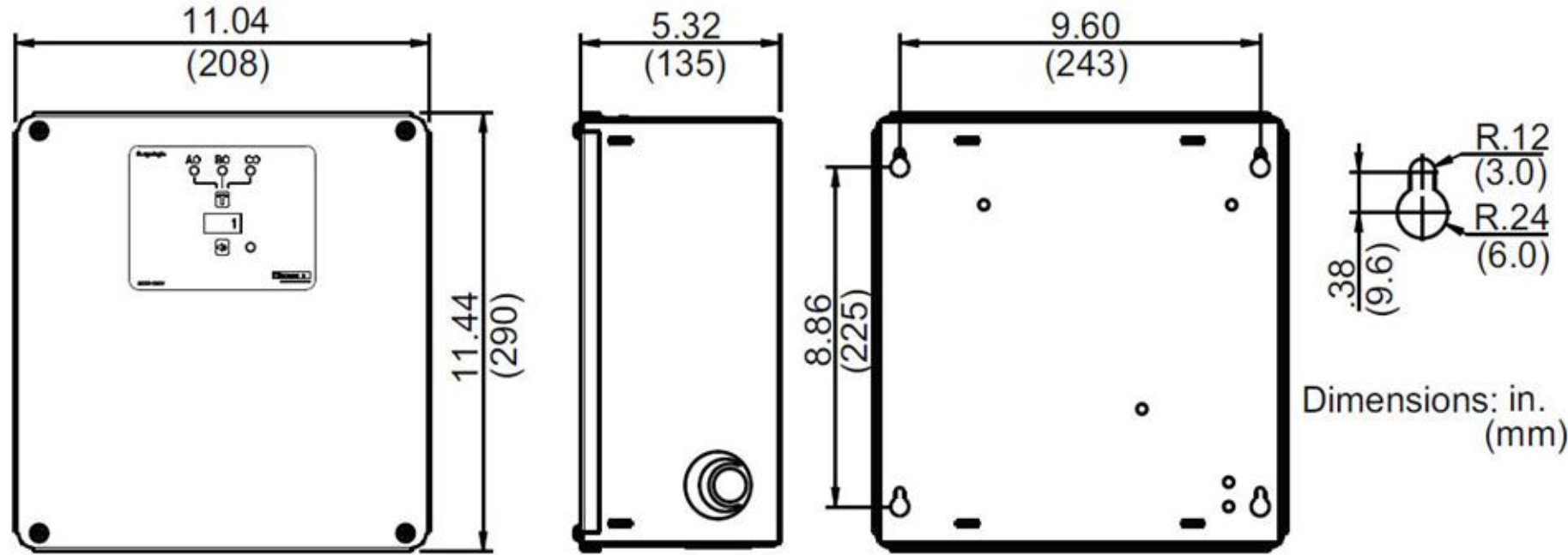


M-13629 | 1



LIST OF PARTS		
DESCRIPTION	MATERIAL	FINISH
ENCLOSURE	STEEL	GRAY

WIRE LUG SIZE - #10 TO #2 AWG

- NOTES: (UNLESS OTHERWISE SPECIFIED)
1. DIMENSIONS ARE INCHES (mm)
 2. .XX TOLERANCES TO BE ±.03
 3. #2 AWG TERMINALS
 4. MAXIMUM SURGE CONTROL = 120kA/PHASE
 - I_{NOM} = 20kA
 - SCCR = 200kA

CATALOG NO.	VOLTAGE	CONFIGURATION
HBL3P120C	120/240V	1PH WYE+G
HBL4P120C	120/208V	3PH WYE+G
HBL6P120C	240/120V	3PH DELTA+G (HIGH LEG)
HBL8P120C	277/480V	3PH WYE+G
HBL9P120C	480V	3PH DELTA
HBL10P120C	347/600V	3PH WYE+G
HBL11P120C	600V	3PH DELTA

1	NEW RELEASE PER DCN23003. MYA	SL	5/18/17
REV	DESCRIPTION	APP	DATE

THE DESIGN AND DIMENSIONS OF THE PRODUCT SHOWN ON THIS DRAWING ARE SUBJECT TO CHANGE WITHOUT NOTICE. DIMENSIONS ARE IN INCHES [mm].

TITLE
SPD PANEL TYPE 1, 120kA NEMA 1 ENCLOSURE

WIRING DEVICE-KELLEMS
HUBBELL INCORPORATED
SHELTON, CT

TOLERANCES UNLESS OTHERWISE SPECIFIED .XX = ± .01 .XXX = ± .005 ANGLE TOL. ±2'	DR. BY MALLE	SCALE NONE
	CHK. BY SL	DATE 5/18/17

DIMENSION SHEET FOR CAT. NO. M-13629 SEE TABLE B 1