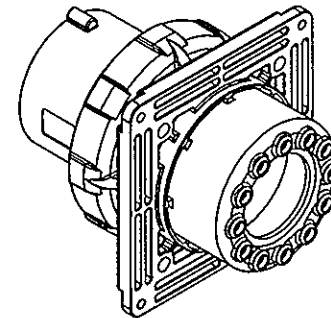
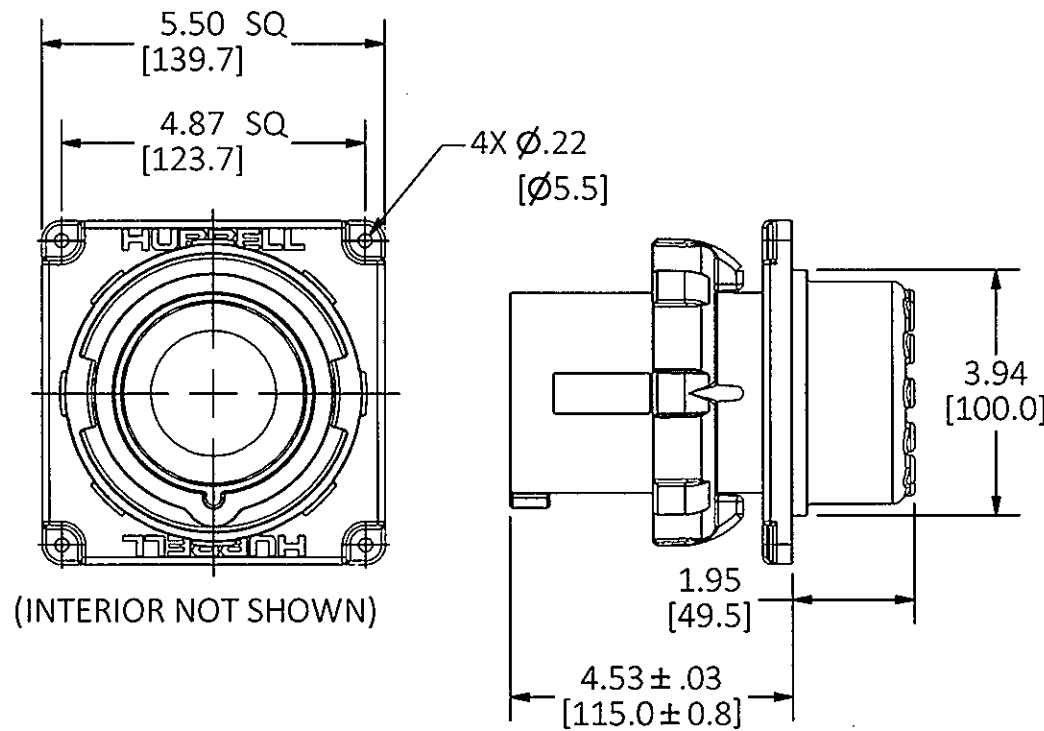
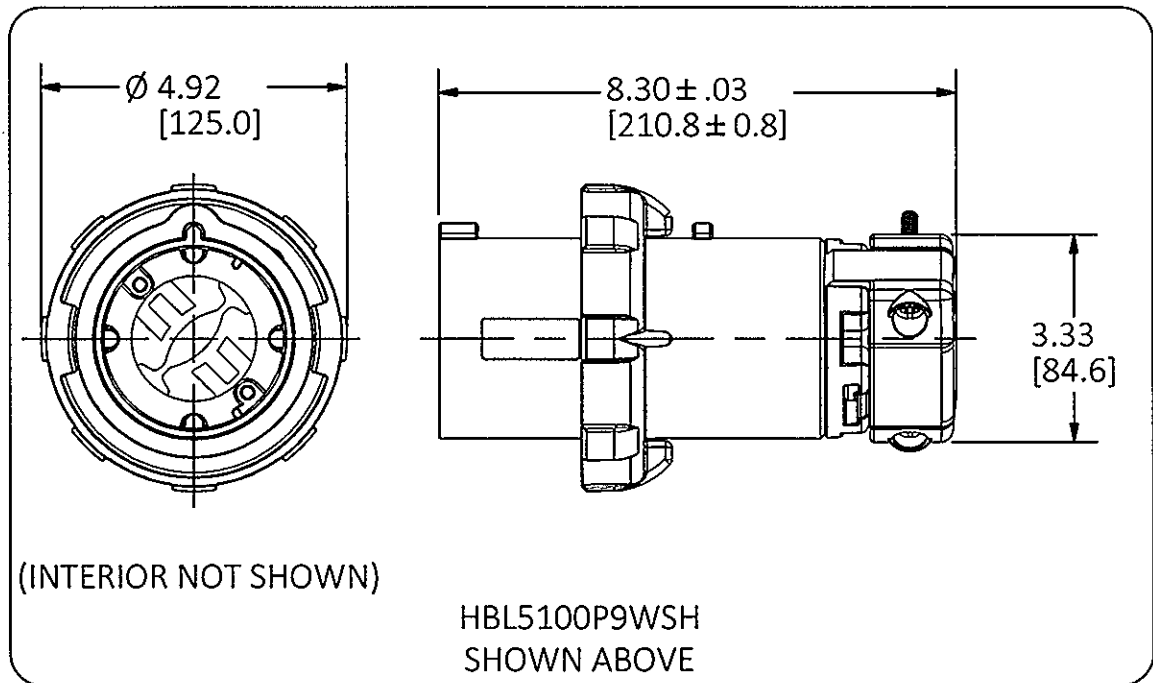


M-13348

1



LIST OF PARTS		
DESCRIPTION	MATERIAL	FINISH
HOUSING	PBT	
GASKET	RUBBER	
LOCKING RING	PBT	
INTERIOR	THERMOSET	
PINS	BRASS	
TERM. SCREWS	ST. STEEL	
GLAND CAP	PBT	
GLANDS	RUBBER	
CLAMPS	PBT	
CLAMP NUTS	BRASS	NICKEL
ASSY SCREWS	ST. STEEL	

CAT. NO.	CONFIG.	RATING	HOUSING COLOR	PILOT
HBL5100B5W		100A 347/600VAC 3Ø	BLACK	NO
HBL5100B5WP		100A 347/600VAC 3Ø	BLACK	YES
HBL5100B6W		100A 200/346-240/415VAC 3Ø 125A - 6h/200/346-240/415V~	RED	NO
HBL5100B6WP		100A 200/346-240/415VAC 3Ø 125A - 6h/200/346-240/415V~	RED	YES
HBL5100B7W		100A 277/480VAC 3Ø	RED	NO
HBL5100B7WP		100A 277/480VAC 3Ø	RED	YES
HBL5100B9W		100A 120/208VAC 3Ø 125A - 9h/120/208-144/250V~	BLUE	NO
HBL5100B9WP		100A 120/208VAC 3Ø 125A - 9h/120/208-144/250V~	BLUE	YES
HBL5100P9WSH		100A 120/208VAC 3Ø 125A - 9h/120/208-144/250V~	BLUE	NO

1	INITIAL RELEASE PER DCN 21982 Mr. B. [Signature]	TLS	3/10/16
REV	DESCRIPTION	APP	DATE

THE DESIGN AND DIMENSIONS OF THE PRODUCT SHOWN ON THIS DRAWING ARE SUBJECT TO CHANGE WITHOUT NOTICE. DIMENSIONS ARE IN INCHES [mm].

TITLE
100A & 125A 4 POLE 5 WIRE PIN AND SLEEVE INLET



WIRING DEVICE-KELLEMS
HUBBELL INCORPORATED
SHELTON, CT

TOLERANCES UNLESS OTHERWISE SPECIFIED .XX = ± .01 .XXX = ± .005 ANGLE TOL. ±2	DR. BY Mr. B	SCALE 1:3
	CHK. BY TLS	DATE 3/2/16

CAGE CODE 74545

DIMENSION SHEET FOR CAT. NO. SEE TABLE

B M-13348

1