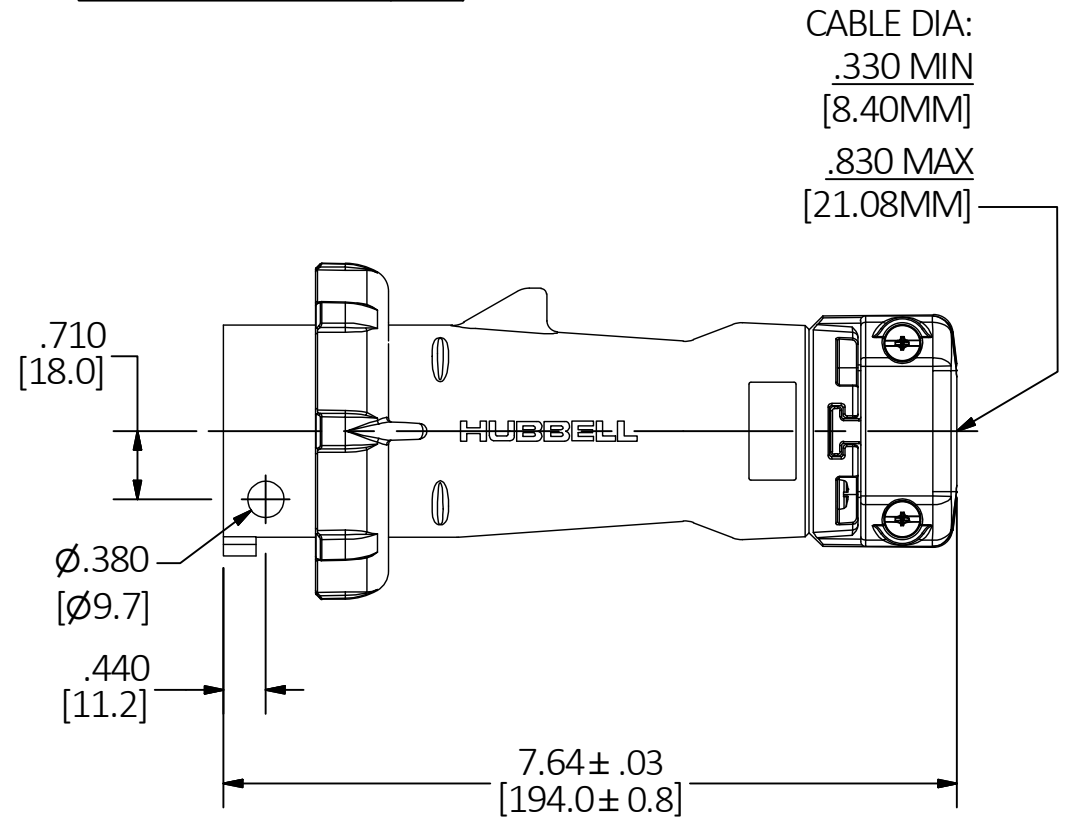
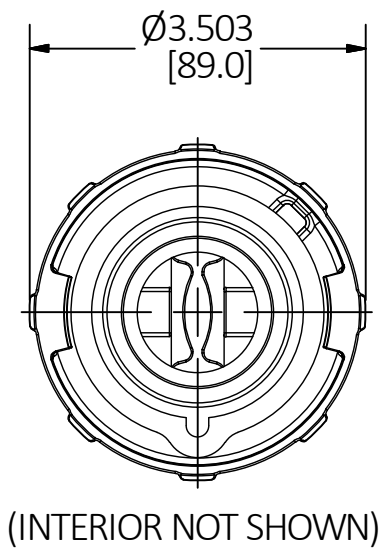
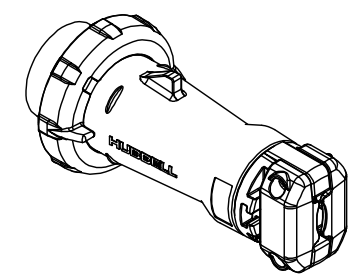


M-13327 2



CABLE DIA:
.330 MIN
[8.40MM]
.830 MAX
[21.08MM]

LIST OF PARTS		
DESCRIPTION	MATERIAL	FINISH
HOUSING	PBT	
GASKET	RUBBER	
LOCKING RING	PBT	
INTERIOR	THERMOSET	
PINS	BRASS	
TERM. SCREWS	ST. STEEL	
GLAND CAP	PBT	
GLANDS	RUBBER	
CLAMPS	PBT	
CLAMP NUTS	BRASS	NICKEL
ASSY SCREWS	ST. STEEL	



CAT. NO.	CONFIG.	RATING	HOUSING COLOR
HBL516P1W		BARGE OVERFILL CONTROL	BLUE
HBL520P5W		20A 347/600VAC 3Ø	BLACK
HBL520P6W		20A 240/415VAC 3Ø 16A - 6h/200/346-240/415V~	RED
HBL520P7W		20A 277/480VAC 3Ø	RED
HBL520P9W		20A 120/208VAC 3Ø	BLUE

REV	DESCRIPTION	APP	DATE
2	REVISED HBL520P6W RATING PAD INFO PER DCN 22751 Mr.B	TLS	11/15/16
1	INITIAL RELEASE PER DCN 21982 Mr.B	TLS	3/10/16

THE DESIGN AND DIMENSIONS OF THE PRODUCT SHOWN ON THIS DRAWING ARE SUBJECT TO CHANGE WITHOUT NOTICE. DIMENSIONS ARE IN INCHES [mm].

TITLE
16A & 20A 4 POLE 5 WIRE PIN AND SLEEVE PLUGS

WIRING DEVICE-KELLEMS
HUBBELL INCORPORATED
SHELTON, CT

TOLERANCES UNLESS OTHERWISE SPECIFIED .XX = ± .01 .XXX = ± .005 ANGLE TOL. ±2'	DR. BY Mr.B	SCALE 1:2
	CHK. BY TLS	DATE 3/2/16

DIMENSION SHEET FOR CAT. NO. SEE TABLE

B

M-13327

2