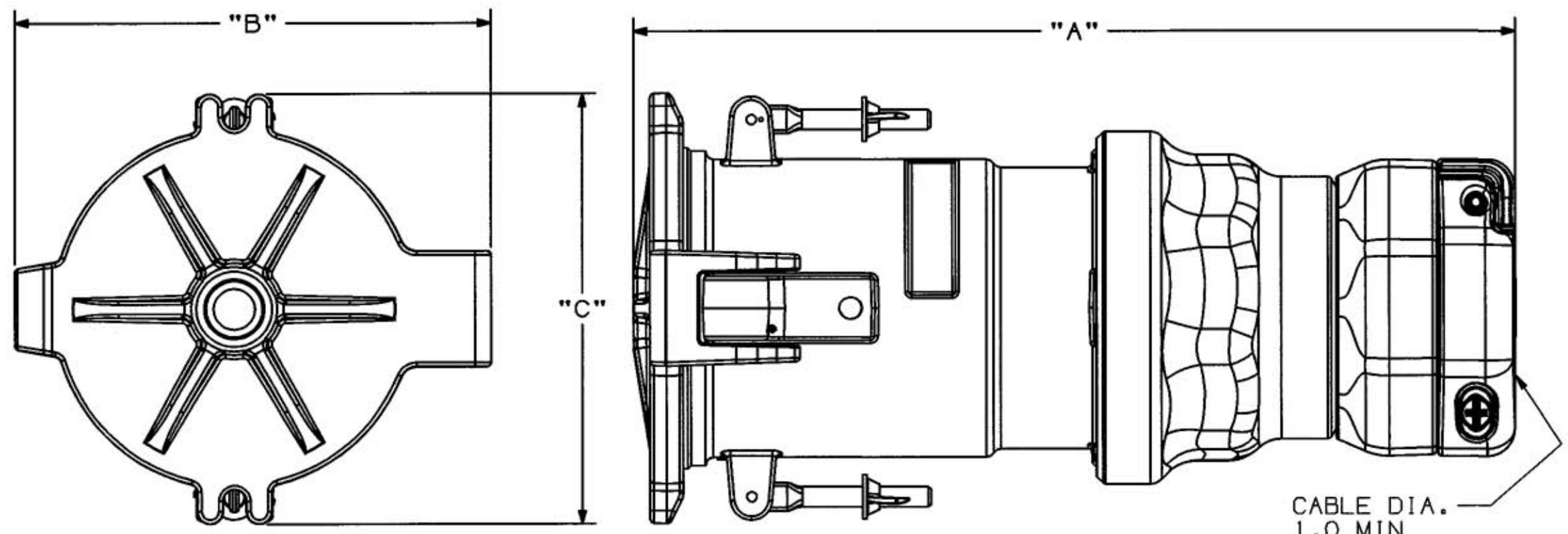


M-8387 2



NOTES: (UNLESS OTHERWISE SPECIFIED)

1) DIMENSION FORMAT IS: INCHES
[mm]

TABLE											
AMPS	MAX VOLTAGE AC/DC	CONNECTOR CATALOG NUMBER	PLUG			DIM "A"		DIM "B" Ø		DIM "C"	
			STYLE	POLE	WIRE	INS.	mm	INS.	mm	INS.	mm
200	600/250	HBL4200CS1WR	S1	3P	4W	13.65	346.7	7.00	177.8	6.51	165.3
200	600/250	HBL3200CS2WR	S2	2P	3W						
200	600/250	HBL5200CS1WR	S1	4P	5W	13.65	346.7	7.39	187.7	6.70	170.2
200	600/250	HBL4200CS2WR	S2	3P	4W						

LIST OF PARTS		
DESCRIPTION	MATERIAL	FINISH
HINDGE BUSHING	ALUMINUM	
SPRING GUIDE	STAIN STEEL	
LID SPRING	STAIN STEEL	
LID	ALUMINUM	GRAY EPOXY
O-RING	RUBBER	
LID GASKET	RUBBER	
RIVET	ALUMINUM	
CONNECTOR	ALUMINUM	GRAY EPOXY
SET SCREW	STAIN STEEL	
SCREWS	STAIN STEEL	
SPRING WASHER	COPPER ALLOY	
PINS	BRASS	
SWING BOLT	STAIN STEEL	
BUTTERFLY NUT	STAIN STEEL	
GROUND POST	BRASS	
GROUND STRAP	COPPER ALLOY	
ONION SKIN GROMMET	RUBBER	
CLAMP GUIDE	ALUMINUM	GRAY EPOXY
CLAMP	ALUMINUM	GRAY EPOXY
CLAMP INSERT	ALUMINUM	GRAY EPOXY
CONNECTOR ADAPTER	ALUMINUM	BLACK
INTERIOR	THERMOSET POLYESTER	

REPAIRABLE NON-REPAIRABLE

2	REVISED TABLE, ADDED "SEE TABLE", & NOTE 1; DRAWING TITLE WAS "200A PIN & SLEEVE REVERSE SERVICE CONNECTOR ASSEMBLY STYLES 1 & 2"; REMOVED "mm" FROM DIMENSIONS AND "WIRE RANGE #1 AWG-250 MCM"; PER DCN #8695. JMN	TCM	1/25/02
1	11/10/00 RELEASED PER DCN 8125 ALM	RDK	
SYM	REVISIONS	APP	DATE

THE DESIGN AND DIMENSIONS OF THE PRODUCT SHOWN ON THIS DRAWING ARE SUBJECT TO CHANGE WITHOUT NOTICE

TITLE
200A INSULGRIP PIN & SLEEVE REVERSE SERVICE CONNECTOR STYLE 1 & 2

TOLERANCES UNLESS OTHERWISE SPECIFIED	WIRING DEVICE-KELLEMS HUBBELL INCORPORATED BRIDGEPORT, CT	
FRACTIONS ±1/64	DR. BY ALM	APP. BY
DECIMALS ±.10	TR. BY	SCALE NONE
ANGLES ±2°	CHK'D BY	DATE 11/8/00