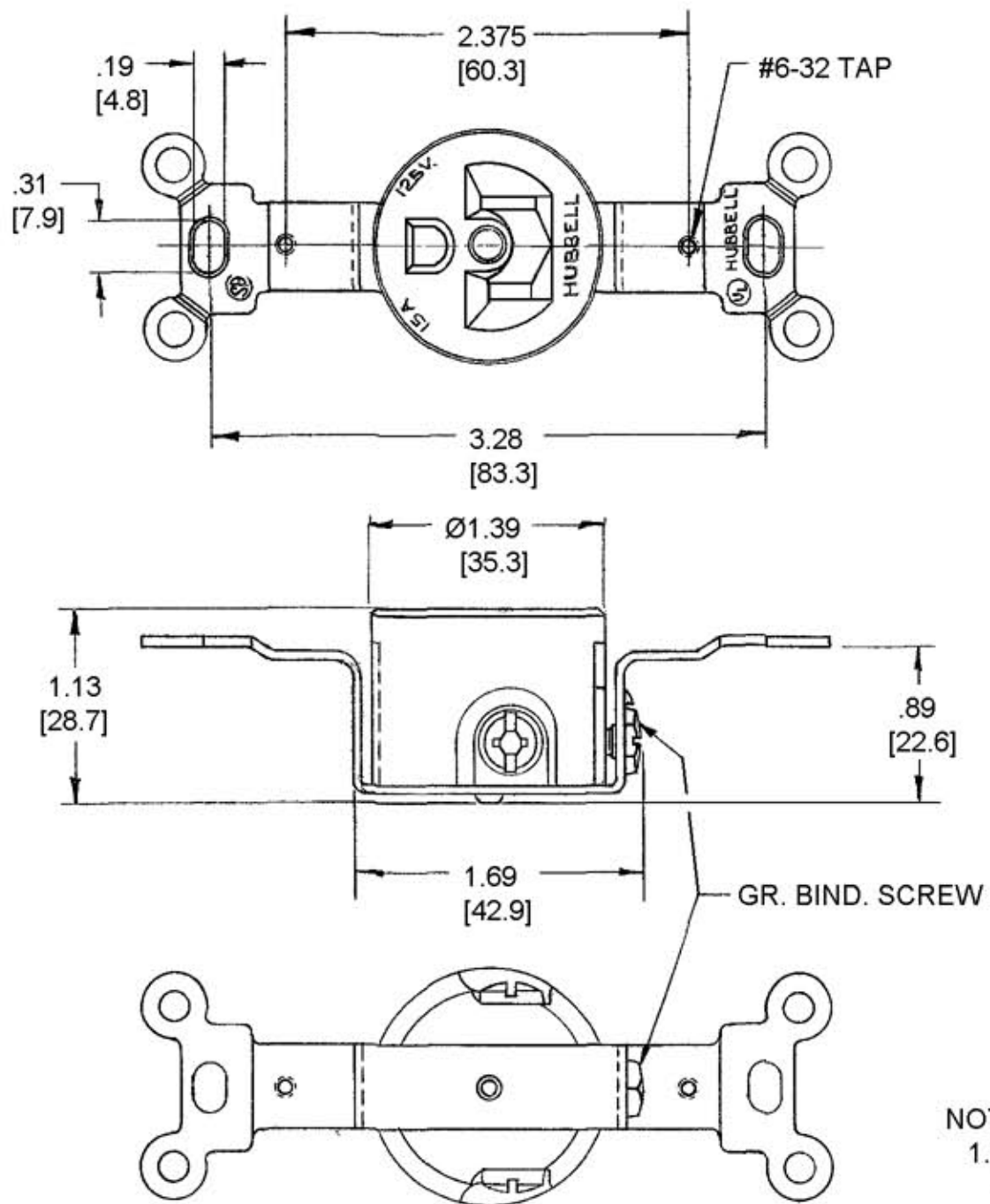



**M-3032 3**



**NOTES:**  
 1. WIRE CAPACITY: #16 TO #12 AWG, SOLID OR STRANDED COPPER WIRE ONLY.  
 2. ALL DIMS. TO BE INCHES. [mm]

CAT. NOS.	COLOR	CONFIGURATION	RATING
HBL5251	BROWN	NEMA 5-15R 	15A 125V
HBL5251I	IVORY		
IG5251	ORANGE/IG		

SUPERSEDES TRACING DATED 6/9/55

CODE 74545

**TITLE**  
 15A 125V, 2 POLE, 3 WIRE  
 GROUNDING SINGLE RECEPTACLE

LIST OF PARTS		
DESCRIPTION	MATERIAL	FINISH
1- BODY	UREA	SEE TABLE
2-CONT. SP. & BIND. PLATE	.031 BRONZE	1- WHITE
2- BINDING SCREW	BRASS	1- WHITE
1- BRIDGE	.050 C.R.S.	ZINC PLATE
1-GR. BIND. SCREW	BRASS	GREEN
1-INSULATOR	.051LAM.PHEN	

SYMBOL	REVISIONS	APP	DATE
3	10/11/06 IN LIST OF PARTS, BODY MATERIAL "UREA" WAS "BAKELITE"; REMOVED RIBBED AREAS FROM L.H. VIEW PER DCN #12582. JMN	TJV	10/11/06
2	ADDED NOTES 1&2; ADDED TABLE; CONVERTED ALL DIMS. TO DECIMAL & METRIC; "SEE TABLE" WAS "BROWN" IN "FINISH" IN "PARTS LIST"; REVISED VIEW OF SCREWS TO TRI-DRIVE PER DCN 11902 RCM	JPP	2/5/05
1	1 11/16 DIM. ADDED AJL	JCH	3-10-70

TOLERANCES UNLESS OTHERWISE SPECIFIED		<b>HARVEY HUBBELL, INC.</b>	
FRACTIONS ± 1/64		BRIDGEPORT, CONN.	
DECIMALS ± .005		DR. BY <u>A.S.M.</u>	APP. BY <u>A.S.</u>
ANGLES ± 2°		TR. BY _____	SCALE <u>FULL</u>
		CHK'D. BY <u>J.C.H.</u>	DATE <u>7-6-64</u>

DIMENSION SHEET FOR CAT. NO. **M-3032**  
 REPAIRABLE  NON-REPAIRABLE   
**B**  
**3**