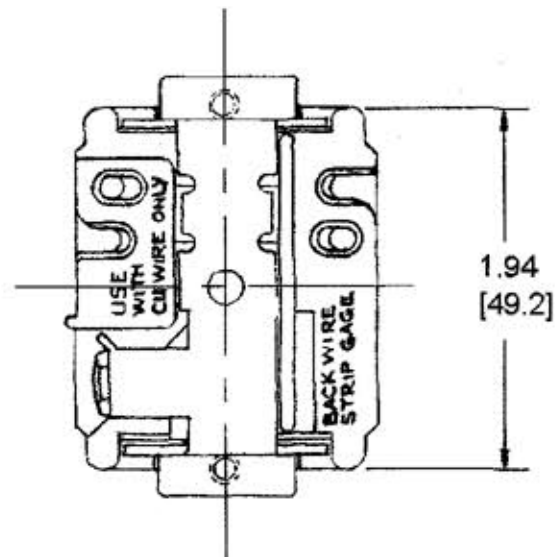
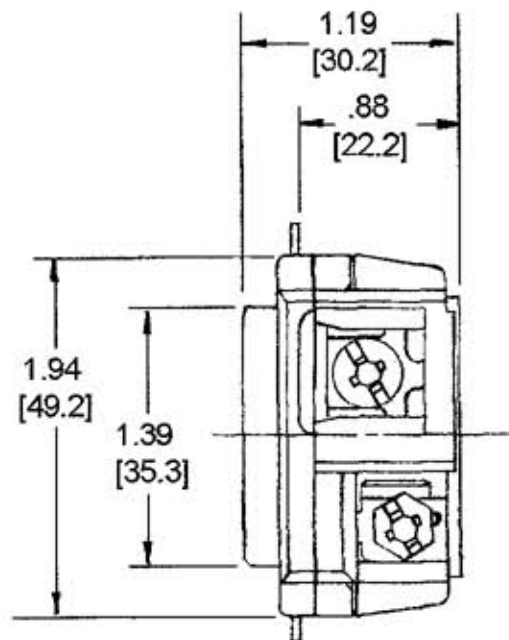
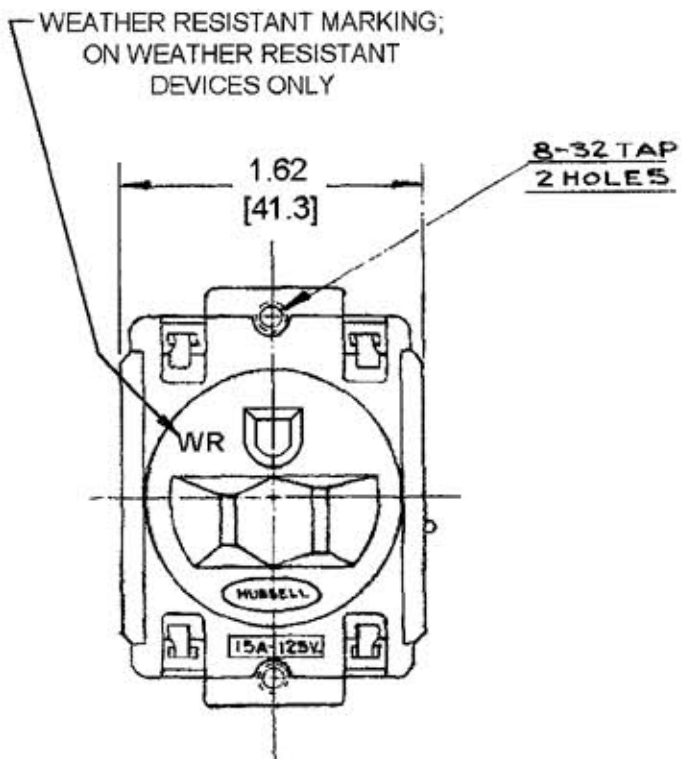


M-6406 4



NOTES: (UNLESS OTHERWISE SPECIFIED)

- 1) DIMENSION FORMAT IS: INCHES [mm]
- 2) DIMENSIONS SHOWN ON THIS DRAWING ARE NOMINAL VALUES FOR GENERAL USE ONLY. ACTUAL PART TOLERANCES MUST BE OBTAINED FROM HUBBELL ENGINEERING.

CATALOG NUMBER		COLOR	CONFIGURATION	RATING
STANDARD	HOSPITAL GRADE			
HBL5284	HBL8284	BROWN	NEMA 5-15R	15A.125V
—	HBL8284I	IVORY		
HBL5357	—	BROWN	NEMA 5-20R	20A.125V
—	HBL8384I	IVORY		
HBL5684	—	BROWN	NEMA 6-15R	15A.250V

CATALOG NUMBER		COLOR	CONFIGURATION	RATING
STANDARD WEATHER RESISTANT	HOSPITAL GRADE WEATHER RESISTANT			
HBL5284WR	HBL8284WR	BROWN	NEMA 5-15R	15A.125V
—	HBL8284IWR	IVORY		
HBL5357WR	—	BROWN	NEMA 5-20R	20A.125V
—	HBL8384IWR	IVORY		

LIST OF PARTS

DESCRIPTION	MATERIAL	FINISH
TOP	NYLON	SEE TABLE
BASE	MELAMINE	GRAY
CONT. SP. BIND. PLATE	.040 BRASS	WHITE ON NEUTRAL*
CLAMPING PLATE	.031 BRASS	
BINDING SCREWS	BRASS	*
BRIDGE	BRASS	*
HEX. HD. BIND. SCREW	BRASS	GREEN

* CONTACT SPRING BINDING PLATE, CLAMPING PLATE, BINDING SCREWS, AND BRIDGE ARE NICKEL PLATED ON HOSPITAL GRADE DEVICES ONLY.

REV	DESCRIPTION	APP	DATE
4	ADDED WEATHER RESISTANT MARKS, CALL-OUT, AND CAT. NO. TABLE. ADDED "ONLY" TO FOOTNOTE PER DCN #14421. JMN	MJM	12/12/07
3	REVISED SCREW HEADS TO TRI-DRIVE PER DCN 10423 RCM	DVB	6/19/03
2	IN TABLE, ADDED "COLOR" COLUMN AND CAT. NO.'S HBL8284, HBL8284I, & HBL8384I; REMOVED 5494; COMBO SCREWS WERE SLOTTED; DUAL DIMENSIONS WERE FRACTIONAL ONLY; REVISED DRAWING TITLE; IN "LIST OF PARTS", "FINISH" COLUMN, "SEE TABLE" WAS "BROWN"; IN DIMENSION SHEET, ADDED NICKEL PLATING NOTE FOR HOSPITAL GRADE DEVICES; IN "DIMENSION SHEET FOR CAT. NO.", "SEE TABLE" WAS "SEE CHART"; PER DCN #8882. JMN	TM	12/30/02
1	BODY REMOVED TO "TOP" JMN	D.L.	1-26-90

TITLE
SHORT STRAP SINGLE RECEPTACLE
3 WIRE GROUNDING

TOLERANCES UNLESS OTHERWISE SPECIFIED
FRACTIONS ± 1/64
DECIMALS ± .005
ANGLES ± 2°

HARVEY HUBBELL, INC.
BRIDGEPORT, CONN.
DR. BY ASM
TR. BY
CHK'D. BY
APP. BY
SCALE 1=1
DATE 1-20-64

CODE 74545

DIMENSION SHEET FOR CAT. NO. SEE TABLE
 REPAIRABLE NON-REPAIRABLE
B M-6406
 4