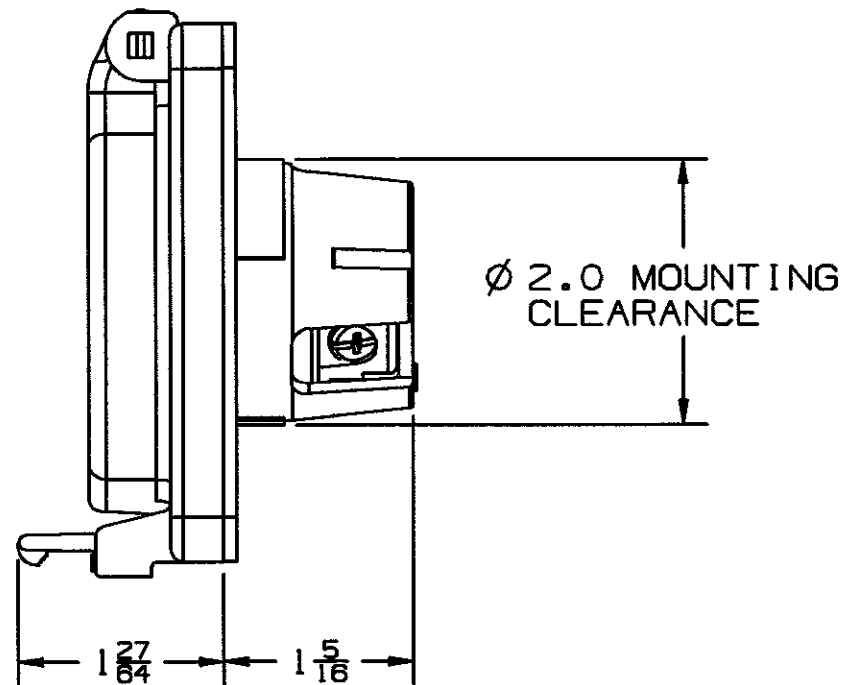
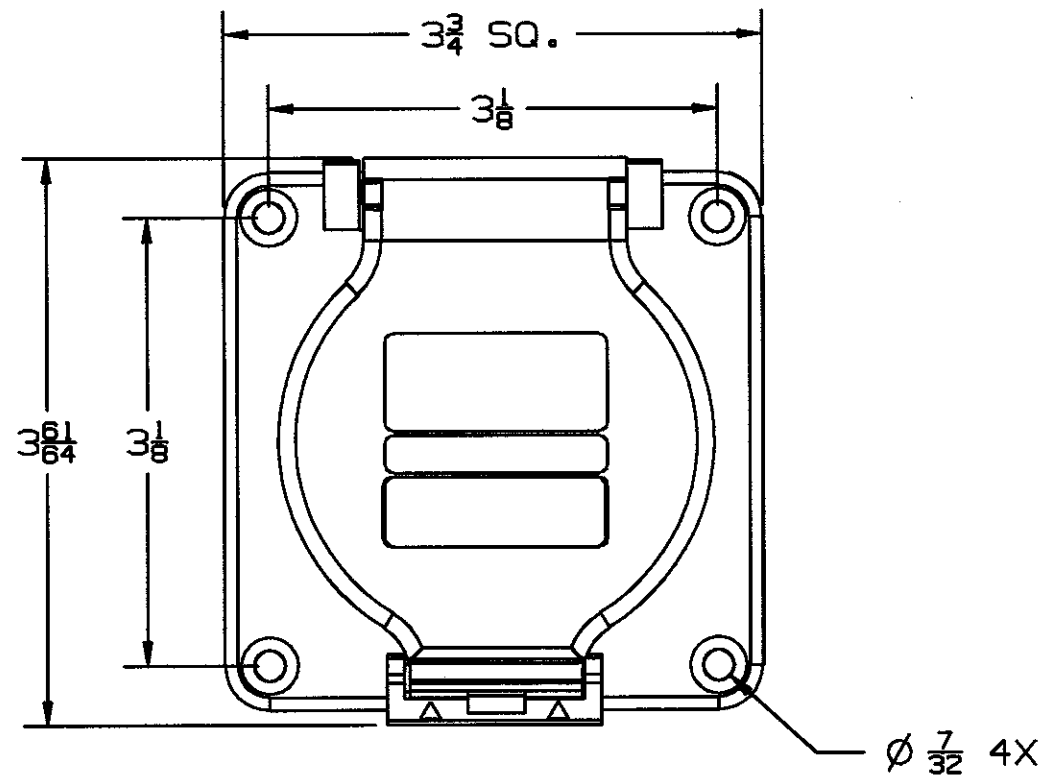
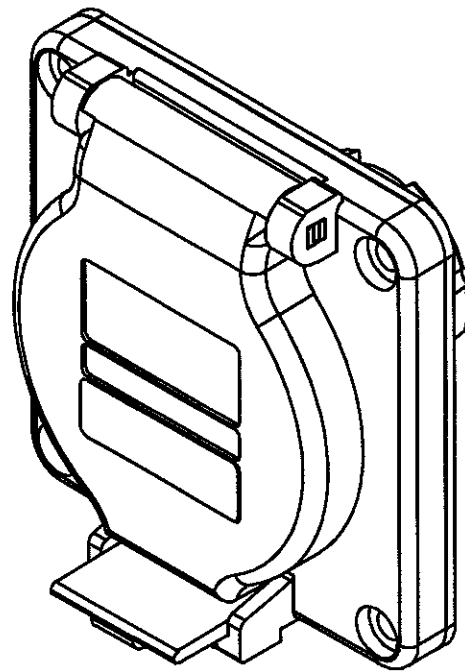


M-8308 1



LIST OF PARTS

| DESCRIPTION | MATERIAL | FINISH |
|----------------|-----------|----------|
| INLET BASE | PBT | |
| CONNECTOR BODY | NYLON | |
| RETAINER SHELL | POLYCRBNT | |
| SCREW | SST | Zn PLATE |
| CONTACT SPRING | BRASS | |
| CLAMPS | SST | |
| HEX SCREWS | BRASS | |
| HEX SCREW | BRASS | Ni PLATE |
| RIVET | BRASS | |
| SCREWS | STEEL | Zn PLATE |
| LIFT LID | PBTB | |
| HINGE PIN | SST | |
| HINGE SPRING | SST | |
| GASKET, LID | NEOPRENE | |
| GASKET, FLANGE | NEOPRENE | |
| LABEL, RATING | POLYESTER | |
| LABEL, CAUTION | POLYESTER | |

DIMENSION SHEET FOR CAT. NO.

REPAIRABLE

NON-REPAIRABLE

| | | |
|-----|---------------------------|----------|
| 1 | RELEASED PER DCN7346. DJH | 12/20/99 |
| SYM | REVISIONS | APP DATE |

THE DESIGN AND DIMENSIONS OF THE PRODUCT SHOWN ON THIS DRAWING ARE SUBJECT TO CHANGE WITHOUT NOTICE

TITLE WEATHERPROOF SINGLE RECEPTACLE HBL53R61

| | | |
|---|---|----------------------------|
| TOLERANCES UNLESS OTHERWISE SPECIFIED FRACTIONS ± 1/64 DECIMALS ± .005 ANGLES ± 2' | WIRING DEVICE-KELLEMS HUBBELL INCORPORATED BRIDGEPORT, CT | |
| | DR. BY DJH | APP. BY <i>[Signature]</i> |
| | TR. BY | SCALE NONE |
| | CHK'D BY | DATE 12/20/99 |

B

M-8308

1