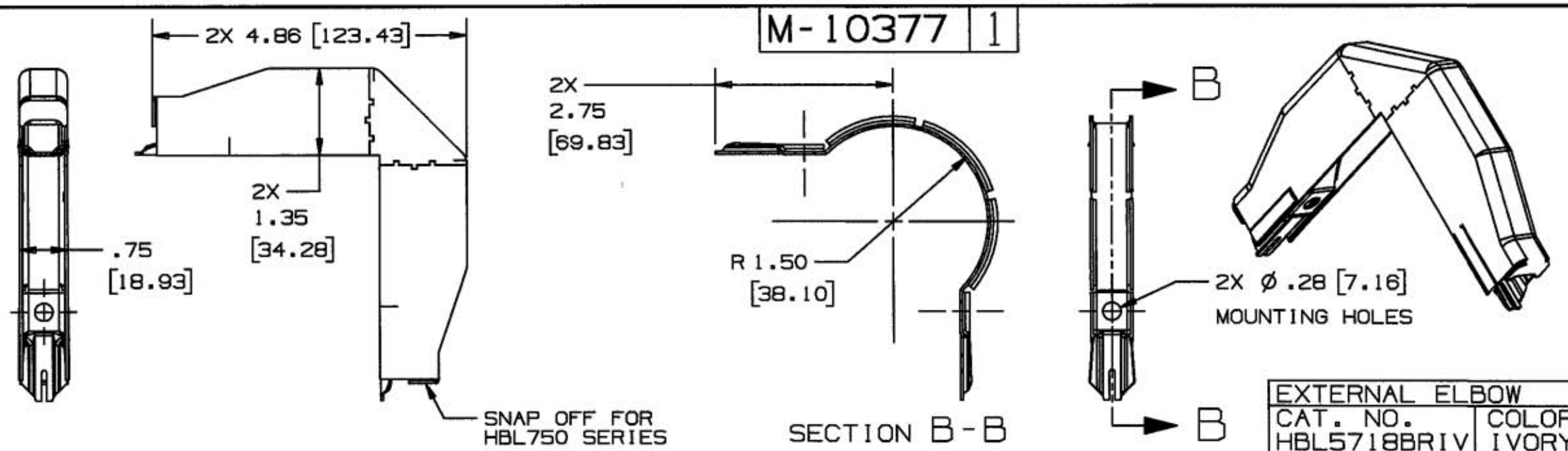


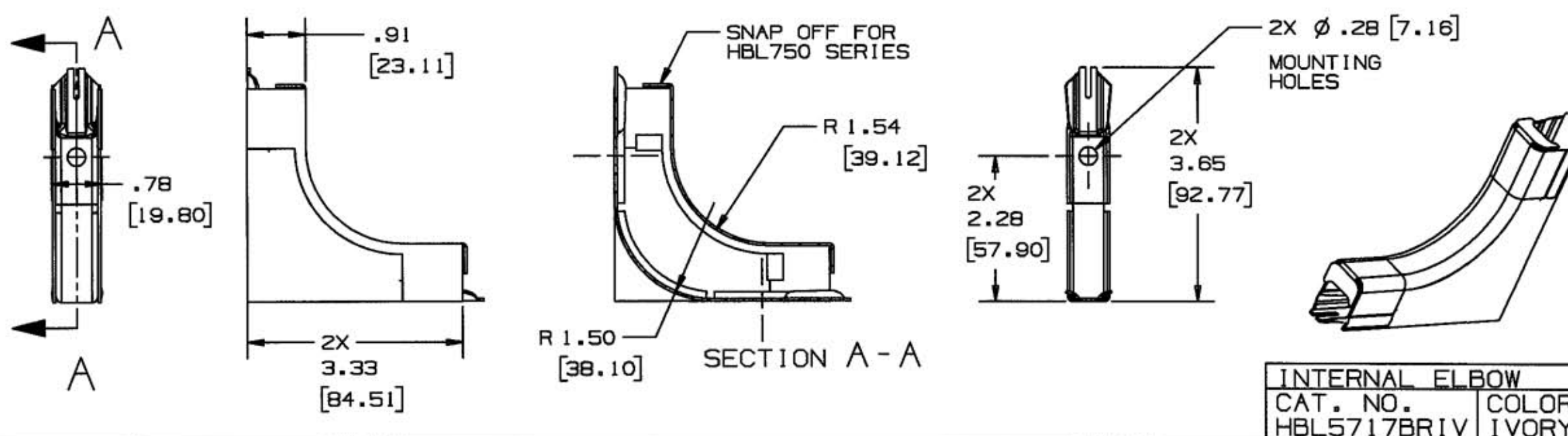
DIMENSION SHEET FOR CAT. NO. SEE TABLE REPAIRABLE NON-REPAIRABLE B M-10377 1

M-10377 1

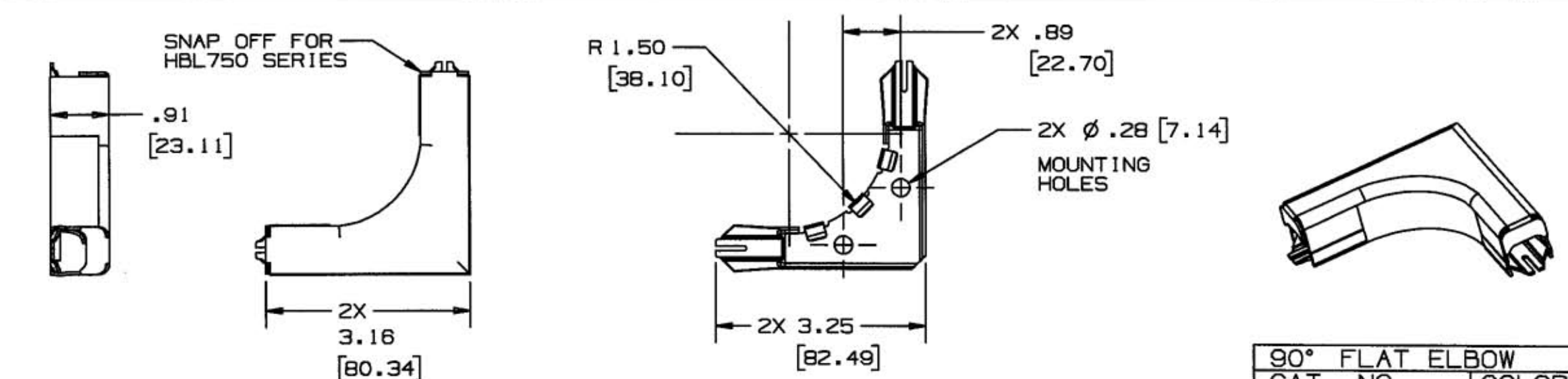
| LIST OF PARTS | | |
|---------------|----------|------------|
| DESCRIPTION | MATERIAL | FINISH |
| ELBOW COVERS | STEEL | PAINTED |
| ELBOW BASES | STEEL | GALVANIZED |
| | | |
| | | |
| | | |
| | | |
| | | |
| | | |
| | | |
| | | |
| | | |
| | | |
| | | |
| | | |
| | | |



| | |
|----------------|-------|
| EXTERNAL ELBOW | |
| CAT. NO. | COLOR |
| HBL5718BRIV | IVORY |



| | |
|----------------|-------|
| INTERNAL ELBOW | |
| CAT. NO. | COLOR |
| HBL5717BRIV | IVORY |



| | |
|----------------|-------|
| 90° FLAT ELBOW | |
| CAT. NO. | COLOR |
| HBL5711BRIV | IVORY |

NOTE: ALL DIMENSIONS IN INCHES AND [MM]

| | | | |
|-----|-----------------------|-----|------|
| 1 | RELEASED PER DCN13536 | APP | DATE |
| SYM | REVISIONS | APP | DATE |

THE DESIGN AND DIMENSIONS OF THE PRODUCT SHOWN ON THIS DRAWING ARE SUBJECT TO CHANGE WITHOUT NOTICE

TITLE
METAL RACEWAY
LARGE RADIUS ELBOWS
HBL500/HBL750 SERIES

| | | |
|---------------------------------------|---|----------------------------|
| TOLERANCES UNLESS OTHERWISE SPECIFIED | WIRING DEVICE-KELLEMS HUBBELL INCORPORATED BRIDGEPORT, CT | |
| FRACTIONS ±1/64 | DR. BY SRE | APP. BY <i>[Signature]</i> |
| DECIMALS ±.005 | TR. BY | SCALE 1:1 |
| ANGLES ±2° | CHK'D BY <i>[Signature]</i> | DATE 11/13/06 |