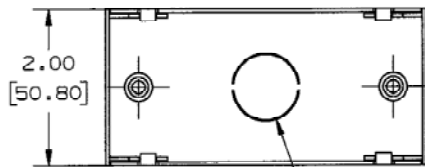
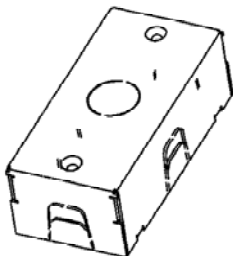
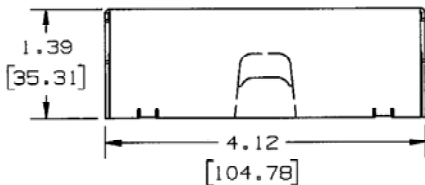


UTILITY BOX	
CAT. NO. HBL572421V HBL57242W	COLOR IVORY WHITE

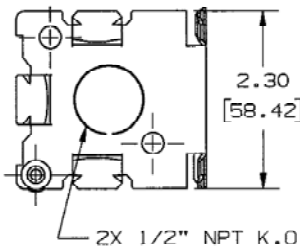
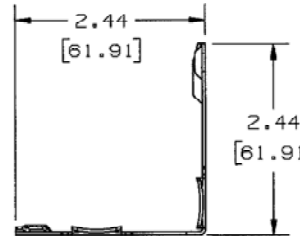
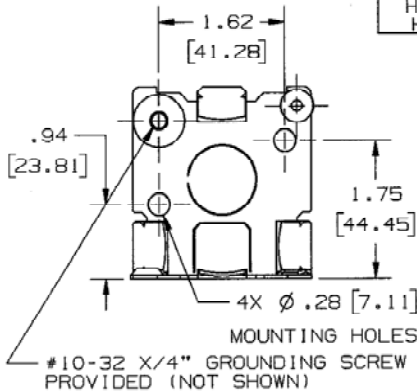
M-10373 4

CORNER BOX	
CAT. NO. HBL57191V HBL5719W	COLOR IVORY WHITE

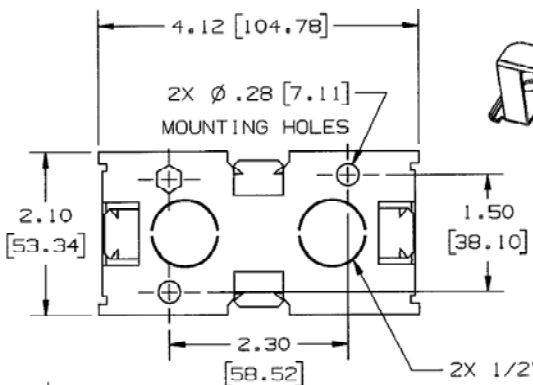
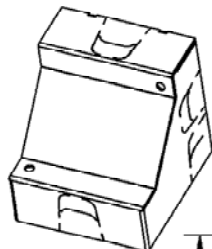
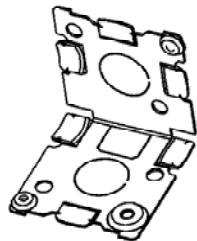
LIST OF PARTS		
DESCRIPTION	MATERIAL	FINISH
BOX COVER	STEEL	PAINTED
BOX BASE	STEEL	GALVANIZED



UTILITY BOX COVER

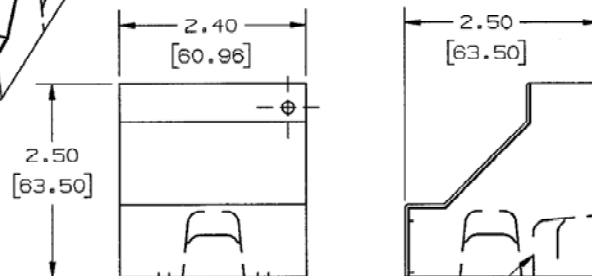


CORNER BOX BASE



BASE ASSY.

NOTE: ALL DIMENSIONS IN INCHES AND [MM]



CORNER BOX COVER

4	ADDED HBL57242W PER DCN 15094 RCM	DJP	8/15/08
3	ADDED HBL TO 750 SERIES DCN13911 SRE	SRE	4/23/07
2	ADDED "HBL5719W" TO CORNER BOX TABLE PER DCN 13745 RCM	DJP	2/27/07
1	RELEASED PER DCN 13536	SRE	11/13/06
SYM	REVISIONS	APP	DATE

THE DESIGN AND DIMENSIONS OF THE PRODUCT SHOWN ON THIS DRAWING ARE SUBJECT TO CHANGE WITHOUT NOTICE

TITLE
CORNER & UTILITY BOX METAL RACEWAY
HBL500/HBL750 SERIES

TOLERANCES UNLESS OTHERWISE SPECIFIED		WIRING DEVICE-KELLEMS HUBBELL INCORPORATED BRIDGEPORT, CT	
FRACTIONS	± 1/64	DR. BY	SRE
DECIMALS	± .005	TR. BY	APP. BY SRE
ANGLES	± 2'	SCALE	1:1
		CHK'D BY	SRE
		DATE	11/13/06

DIMENSION SHEET FOR CAT. NO. SEE TABLE REPAIRABLE NON-REPAIRABLE B M-10373 4