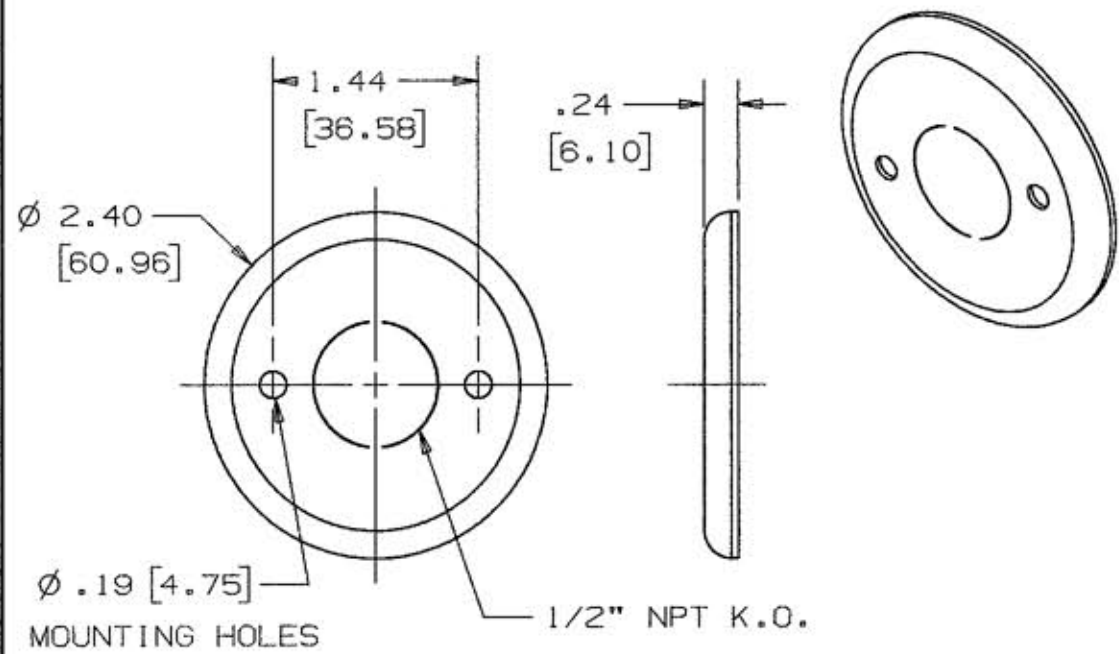


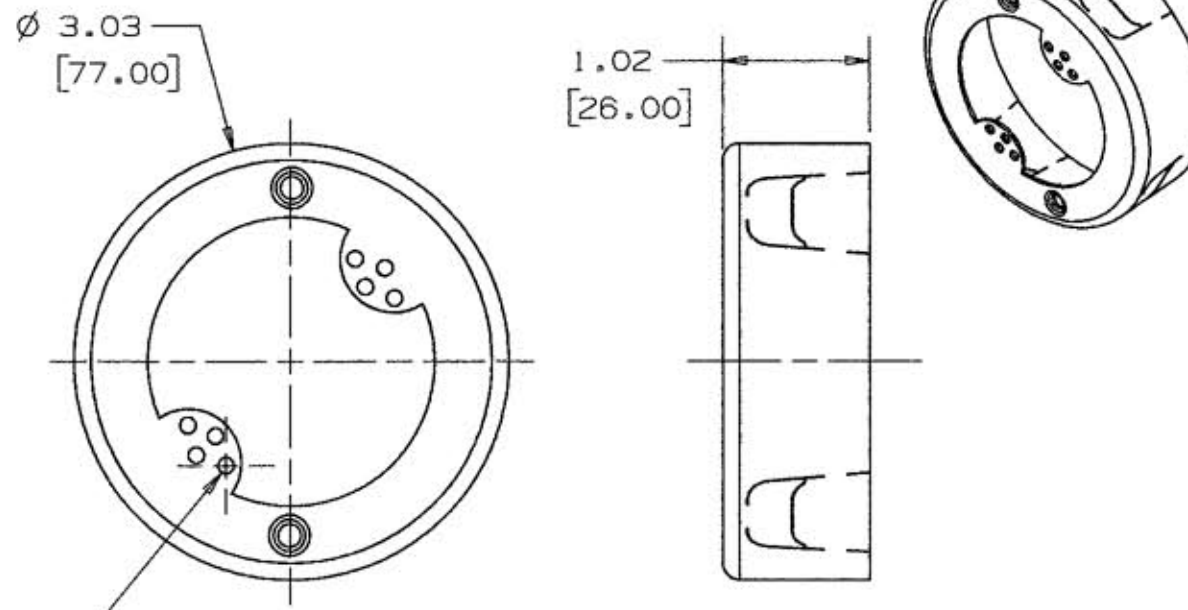
M-10365 2



1/2" NPT K.O.  
MOUNTING HOLES

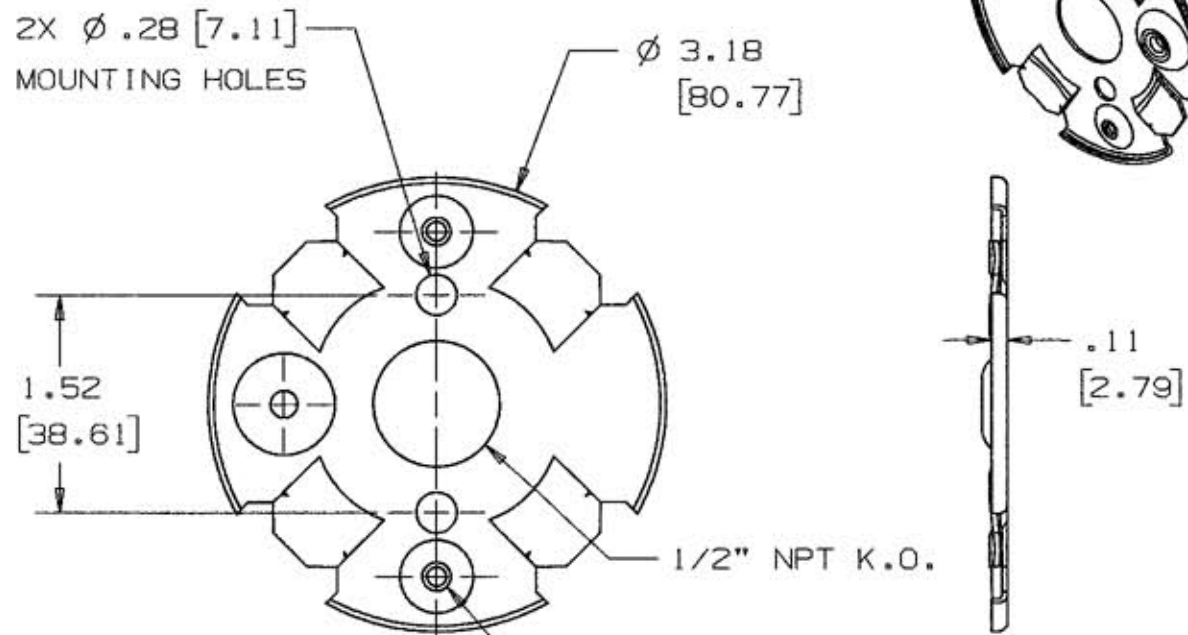
NOTE:  
PROVIDED WITH (2) #8-32 X 3/8" LG.  
MOUNTING SCREWS (NOT SHOWN)

BLANK COVER	
CAT. NO. HBL57311V	COLOR IVORY



MOUNTING CENTERS OF 1 15/32" [37.31],  
1 5/8" [41.28], 1 11/16" [42.9] &  
1 27/32" [46.84], #8-32 TAPPED HOLES

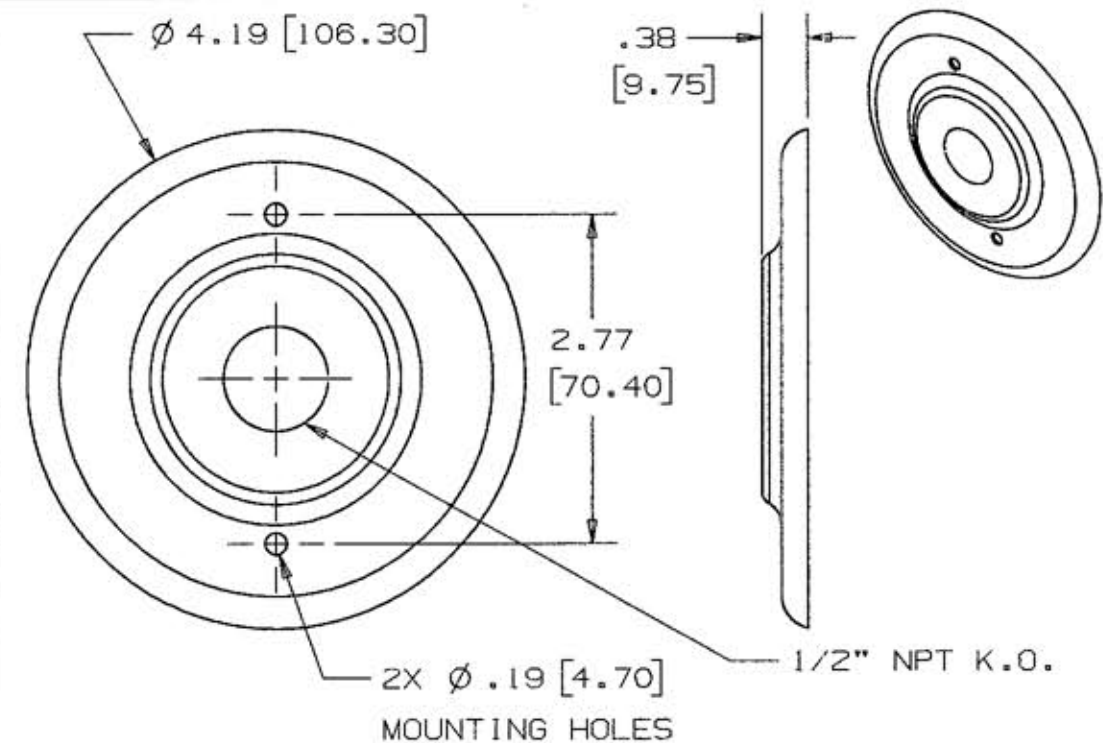
OUTLET BOX COVER



2X  $\phi$  .28 [7.11]  
MOUNTING HOLES  
 $\phi$  3.18 [80.77]  
1/2" NPT K.O.  
PROVIDED WITH (2) STANDOFFS  
W/ COVER SCREWS (NOT SHOWN)

OUTLET BOX BASE

BOX COVER		
CAT. NO. HBL57331V	COLOR IVORY	VOLUME 6.0in <sup>3</sup> [98.3cm <sup>3</sup> ]



1/2" NPT K.O.  
MOUNTING HOLES

NOTE:  
PROVIDED WITH (2) #8-32 X 3/8" LG.  
MOUNTING SCREWS (NOT SHOWN)

BLANK COVER	
CAT. NO. HBL57361V HBL5736W	COLOR IVORY WHITE

NOTE: ALL DIMENSION IN INCH AND [MM]

LIST OF PARTS

DESCRIPTION	MATERIAL	FINISH
BLANK COVERS	STEEL	PAINTED
OUTLET COVER	STEEL	PAINTED
OUTLET BASE	STEEL	GALVANIZED

SYM	REVISIONS	APP	DATE
2	ADDED "HBL5736W" TO BLANK COVER PER DCN 13745 RCM	DJP	2/27/07
1	RELEASED PER DCN 13536	SRE	11-13-06

THE DESIGN AND DIMENSIONS OF THE  
PRODUCT SHOWN ON THIS DRAWING ARE  
SUBJECT TO CHANGE WITHOUT NOTICE

TITLE  
BLANK COVERS & OUTLET BOX  
METAL RACEWAY  
HBL500/HBL750 SERIES

TOLERANCES UNLESS OTHERWISE SPECIFIED	WIRING DEVICE-KELLEMS HUBBELL INCORPORATED BRIDGEPORT, CT	
FRACTIONS ±1/64	DR. BY SRE	APP. BY SRE
DECIMALS ±.005	TR. BY	SCALE 1:1
ANGLES ±2°	CHK'D BY SRE	DATE 11/13/06