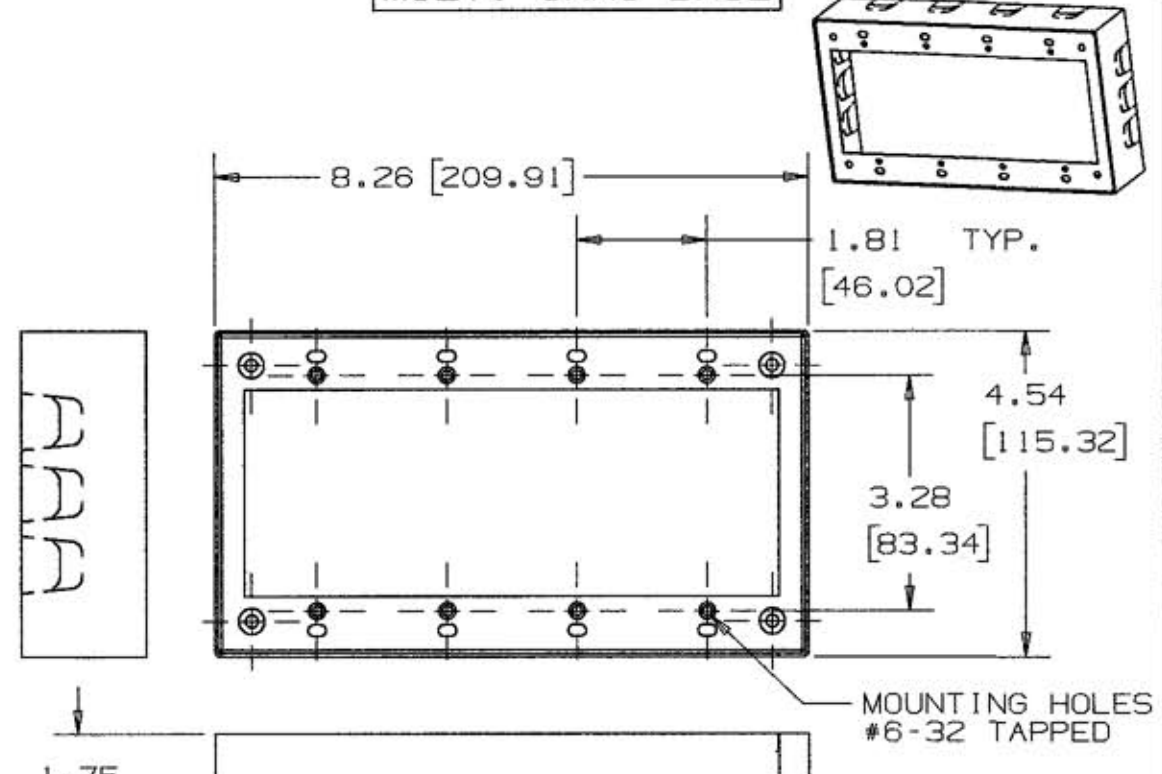
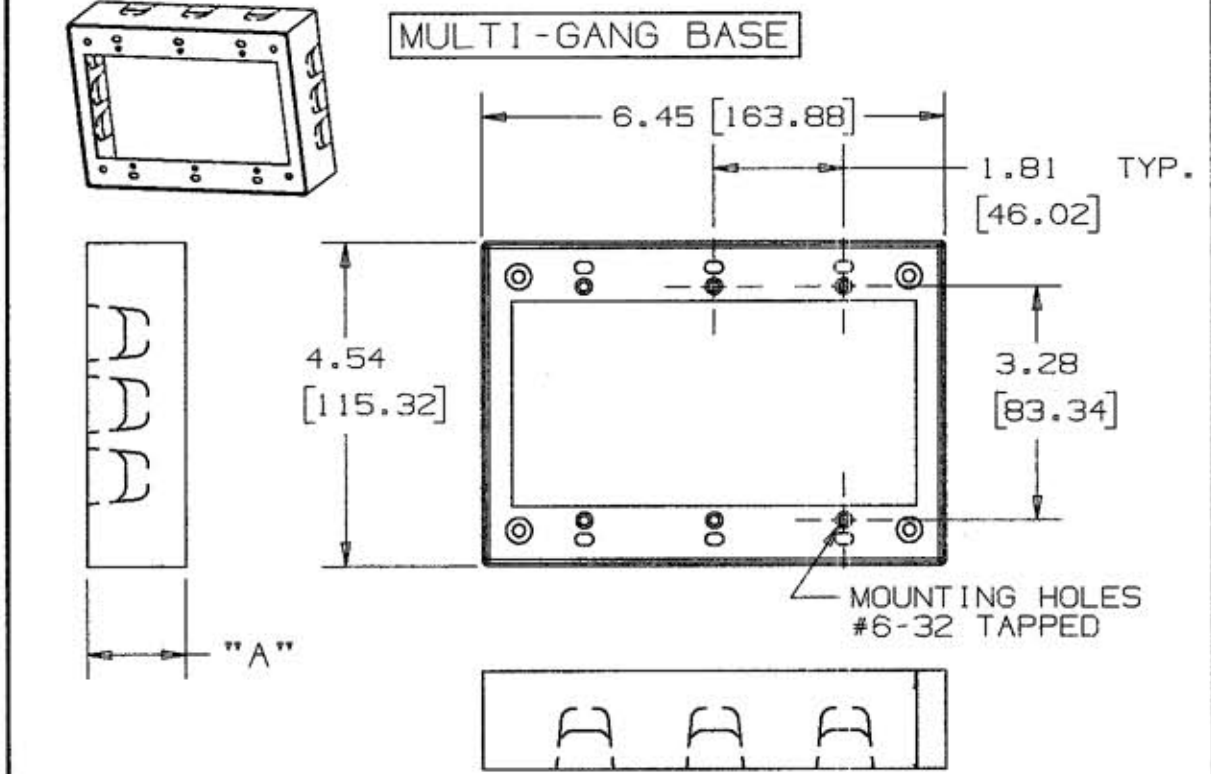
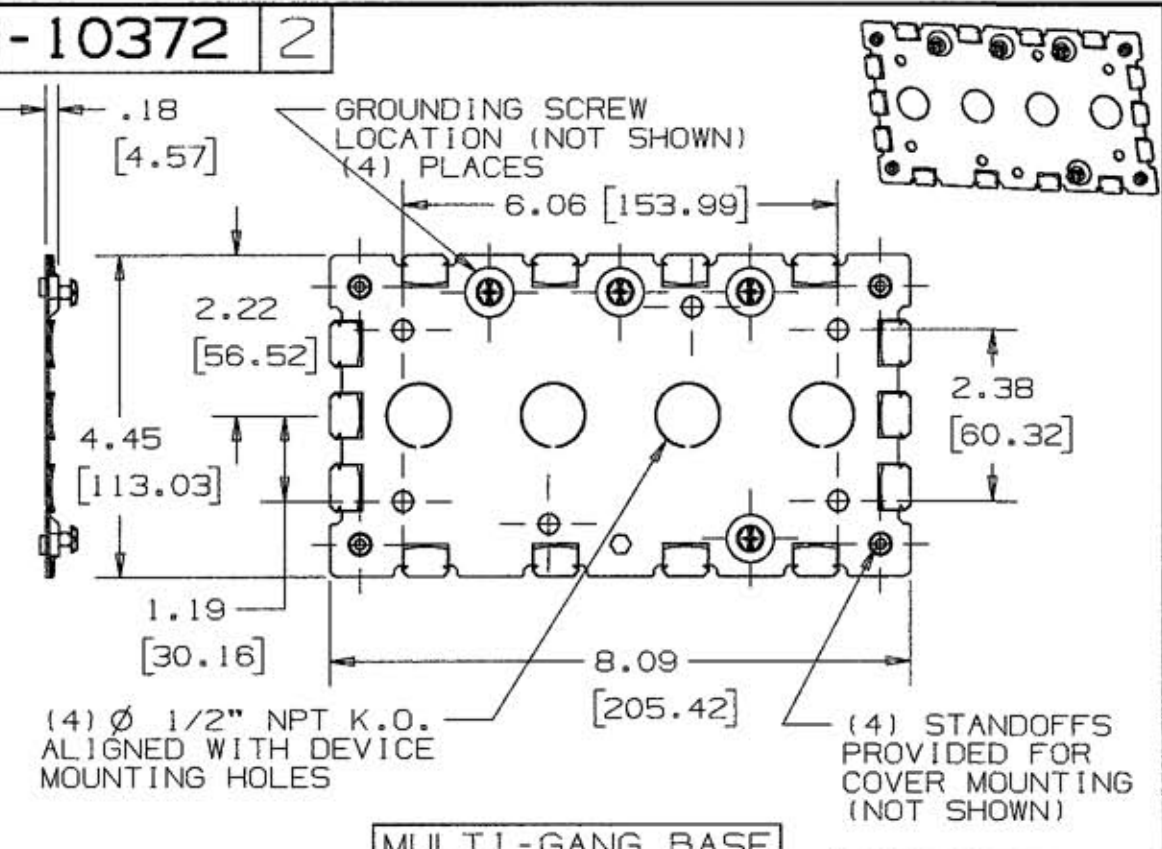
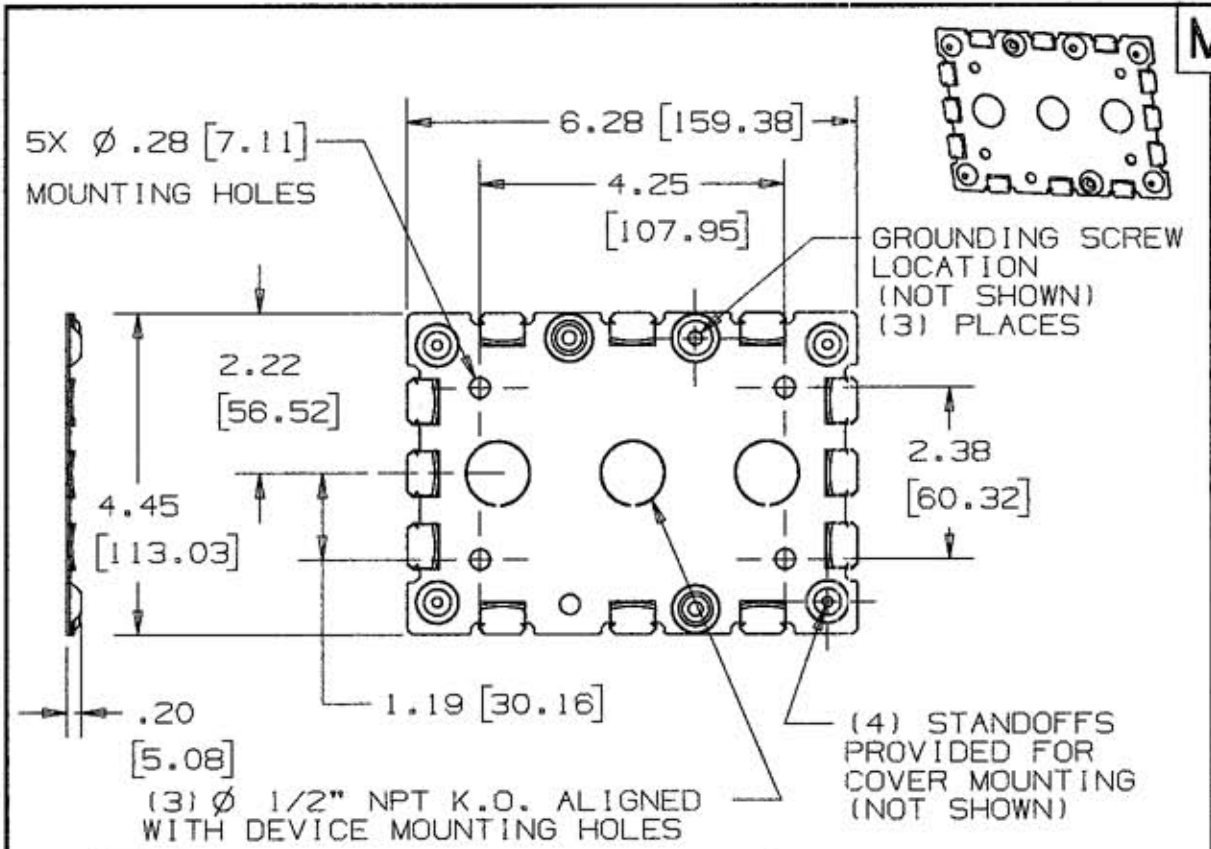


M-10372 2



MULTI-GANG BASE COVER			
CAT. NO.	COLOR	"A"	VOLUME
HBL574731V	IVORY	1.375	37.0in ³ [606.1cm ³]
HBL574831V	IVORY	1.75	47.0in ³ [769.9cm ³]
HBL5744S31V	IVORY	2.25	61.0in ³ [999.2cm ³]
HBL574431V	IVORY	2.75	75.0in ³ [1228.5cm ³]
HBL57483W	WHITE	1.75	47.0in ³ [769.9cm ³]

MULTI-GANG BASE COVER		
CAT. NO.	COLOR	VOLUME
HBL574841V	IVORY	61.0in ³ [999.2cm ³]

RACEWAY ENTRANCE - 14

LIST OF PARTS		
DESCRIPTION	MATERIAL	FINISH
BOX COVER	STEEL	PAINTED
BOX BASE	STEEL	GALVANIZED

REV. NO.	DESCRIPTION	APP.	DATE
2	ADDED "HBL57483W" TO MULTI-GANG BASE COVER TABLE PER DCN 13745 RCM	DJP	2/27/07
1	RELEASED PER DCN 13536	SRE	11/13/06
SYM	REVISIONS	APP	DATE

THE DESIGN AND DIMENSIONS OF THE PRODUCT SHOWN ON THIS DRAWING ARE SUBJECT TO CHANGE WITHOUT NOTICE

TITLE
3 & 4 GANG BOXES
METAL RACEWAY
HBL500/HBL750 SERIES

TOLERANCES UNLESS OTHERWISE SPECIFIED	WIRING DEVICE-KELLEMS HUBBELL INCORPORATED BRIDGEPORT, CT	
	DR. BY SRE	APP. BY SRE
FRACTIONS ± 1/64	TR. BY	SCALE 1:1
DECIMALS ± .005	CHK'D BY SRE	DATE 11/13/06
ANGLES ± 2°		