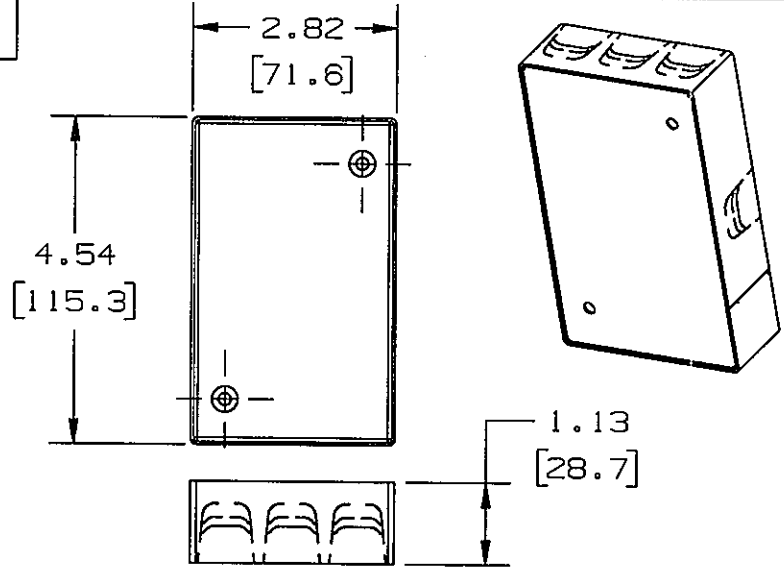
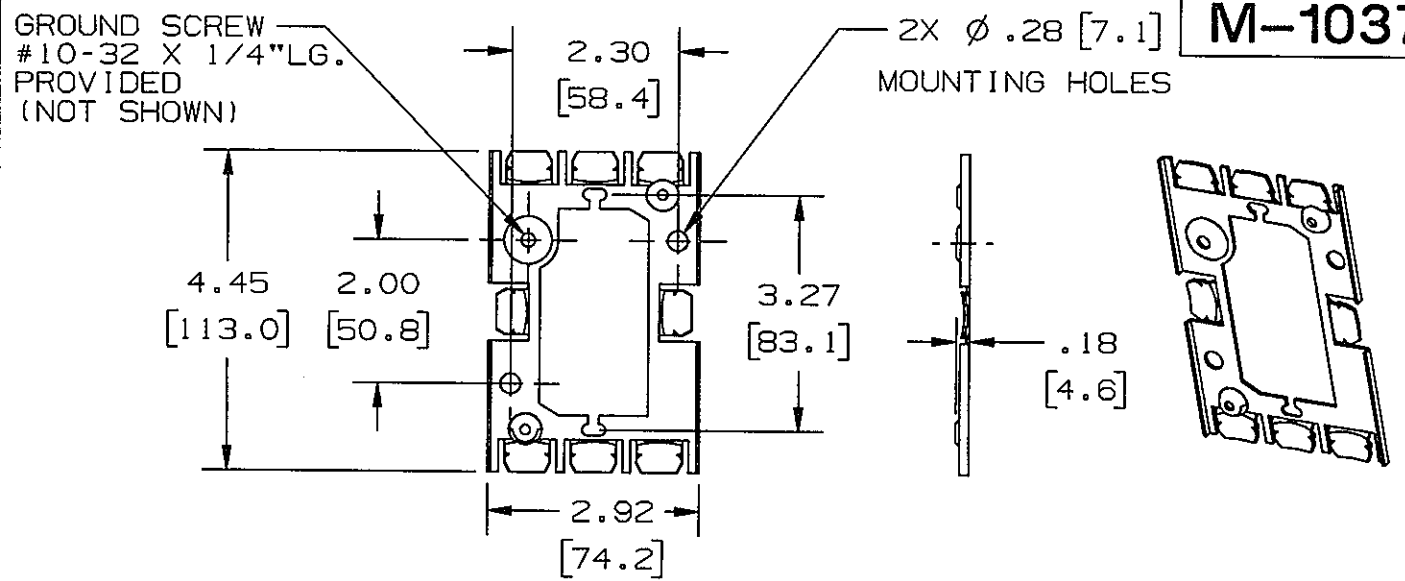


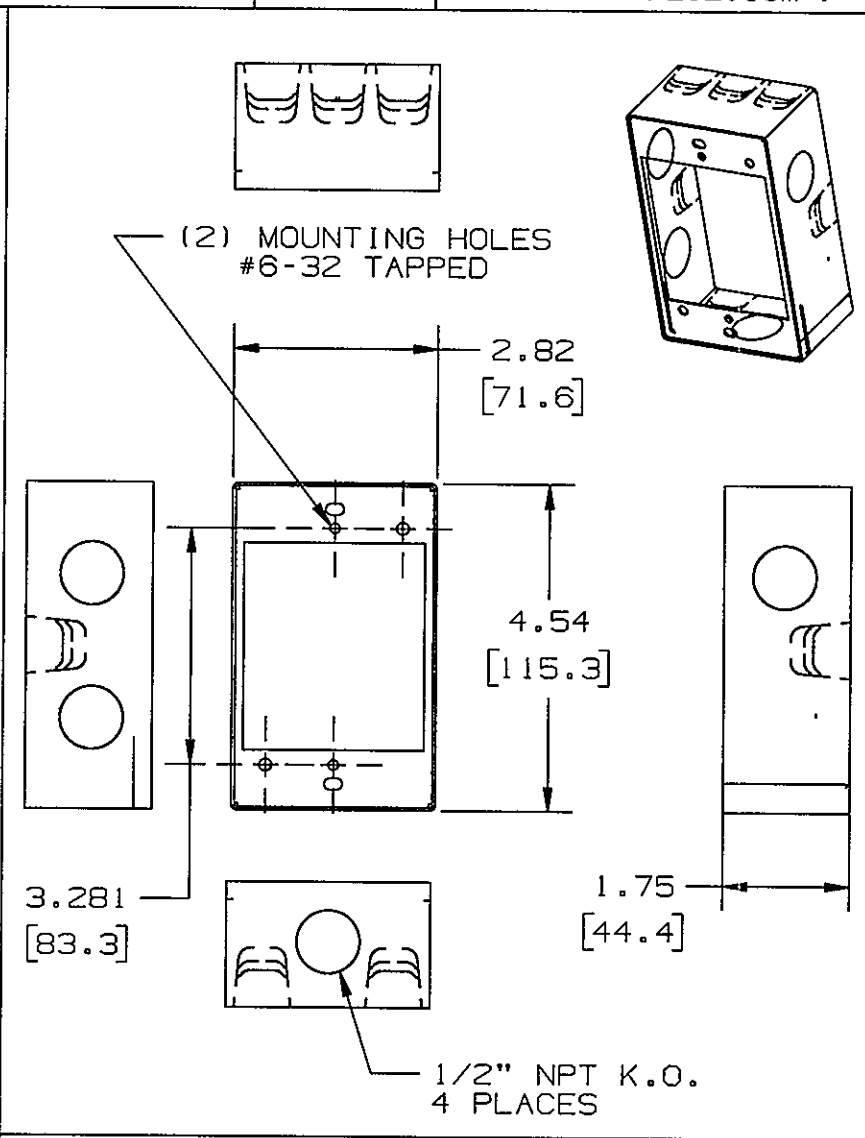
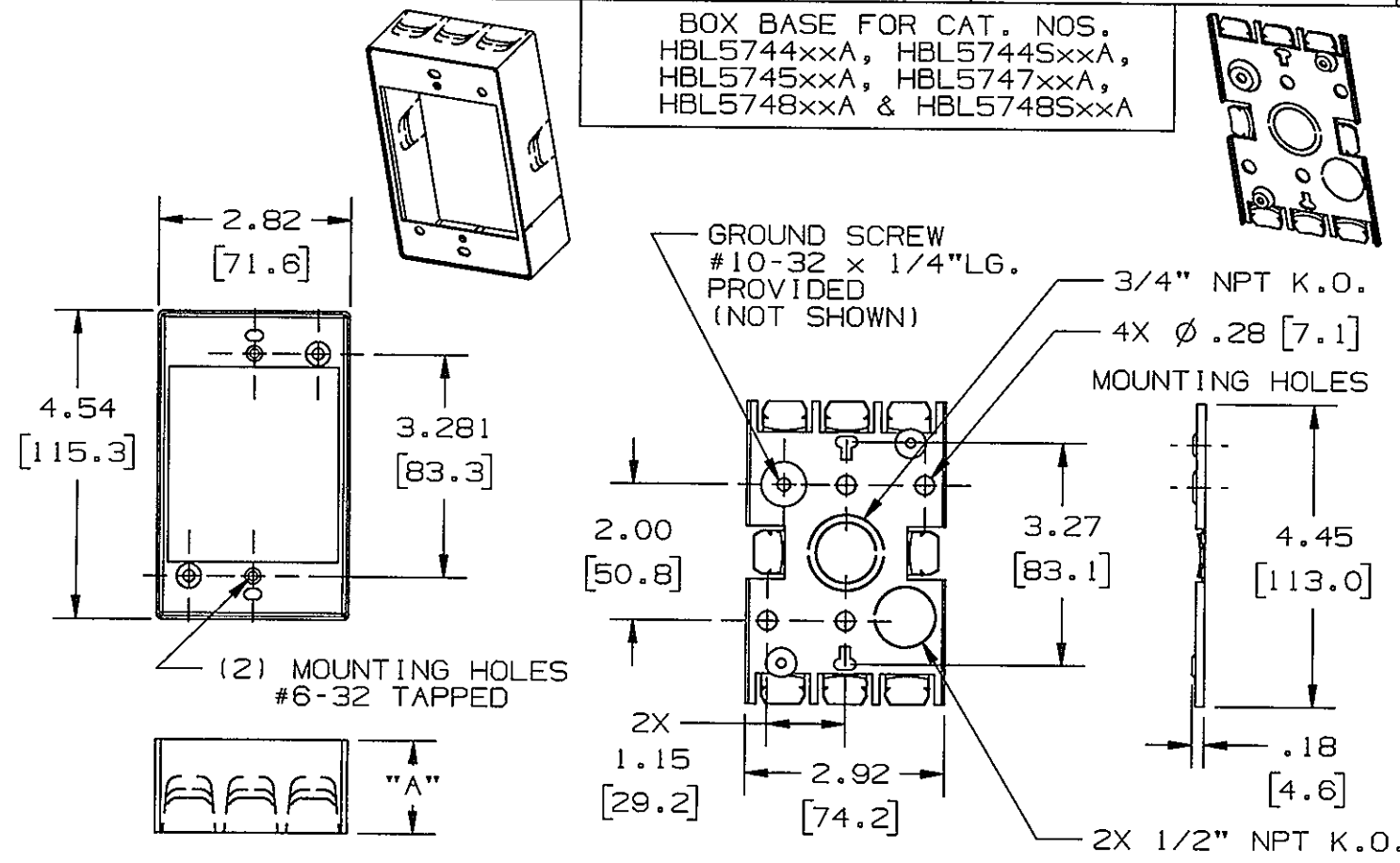
M-10374 5



BOX BASE FOR CAT. NOS.
HBL5760xxA, HBL5751xxA,
HBL5751AxxA & HBL5791xxA

BLANK BOX COVER		
CAT. NO.	COLOR	VOLUME
HBL5760IVA	IVORY	13.0in ³ [212.9cm ³]

BOX BASE FOR CAT. NOS.
HBL5744xxA, HBL5744SxxA,
HBL5745xxA, HBL5747xxA,
HBL5748xxA & HBL5748SxxA



BOX COVER			
CAT. NO.	"A"	COLOR	VOLUME
HBL5747xxA	1.375	IVORY (IV) OR WHITE (W)	16.0in ³ [262.1cm ³]
HBL5748xxA & HBL5751AxxA	1.75		20.0in ³ [327.6cm ³]
HBL5744SxxA	2.25		27.0in ³ [442.3cm ³]
HBL5744xxA	2.75		33.0in ³ [540.5cm ³]
HBL5751xxA	1.375		16.0in ³ [262.1cm ³]
HBL5748SxxA	1.125		13.0in ³ [212.9cm ³]
HBL5791xxA	2.25		27.0in ³ [442.3cm ³]

CONDUIT BOX COVER		
CAT. NO.	COLOR	VOLUME
HBL5745IVA	IVORY	20.0in ³ [327.6cm ³]
HBL5745WA	WHITE	20.0in ³ [327.6cm ³]

LIST OF PARTS		
DESCRIPTION	MATERIAL	FINISH
BOX COVER	STEEL	PAINTED
BOX BASE	STEEL	GALVANIZED

xx = COLOR SUFFIXES

NOTES:
1) ALL DIMENSIONS IN INCHES AND [MM]
2) NON "A" VERSION CATALOG NOS. FOR USE WITH HBL500 & HBL750 RACEWAYS ONLY. NON "A" VERSION CATALOG NOS. WILL BE PHASED OUT.

REV.	DESCRIPTION	APP.	DATE
5	ADDED "A" SUFFIX TO CAT NOS. ADDED NOTE 2 DCN19741	SRE	4/4/13
4	HBL5745IV/W WAS 5 K.O. ADDED 2 VIEWS DCN18216	SRE	7/22/11
3	ADDED CAT NO. HBL5791xx TO OPEN BOX BACK & BOX COVER DCN16353	SRE	4/12/10
2	ADDED "WHITE (W)" TO COLOR; REVISED CAT. NO'S TO REFLECT WHITE PRODUCTS; ADDED "xx = COLOR SUFFIXES" CALLOUT PER DCN 13745 RCM	DJP	2/27/07
1	RELEASED PER DCN 13536	SRE	11/13/06

THE DESIGN AND DIMENSIONS OF THE PRODUCT SHOWN ON THIS DRAWING ARE SUBJECT TO CHANGE WITHOUT NOTICE

TITLE
1-GANG BOXES
METAL RACEWAY
HBL500/700/750 SERIES

TOLERANCES UNLESS OTHERWISE SPECIFIED .XX = ±.01 .XXX = ±.005 ANGLES = ±2°	WIRING DEVICE-KELLEMS HUBBELL INCORPORATED SHELTON, CT	
	DR. BY SRE	APP. BY SRE
	TR. BY	SCALE 1:1
	CHK. BY SRE	DATE 11/13/06