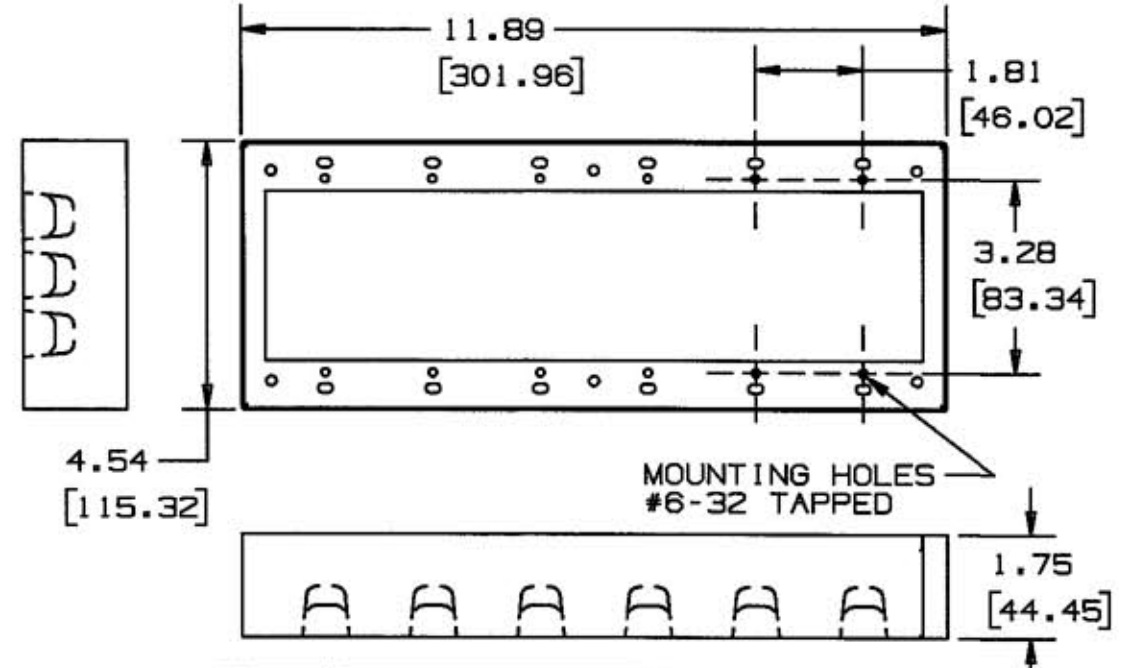
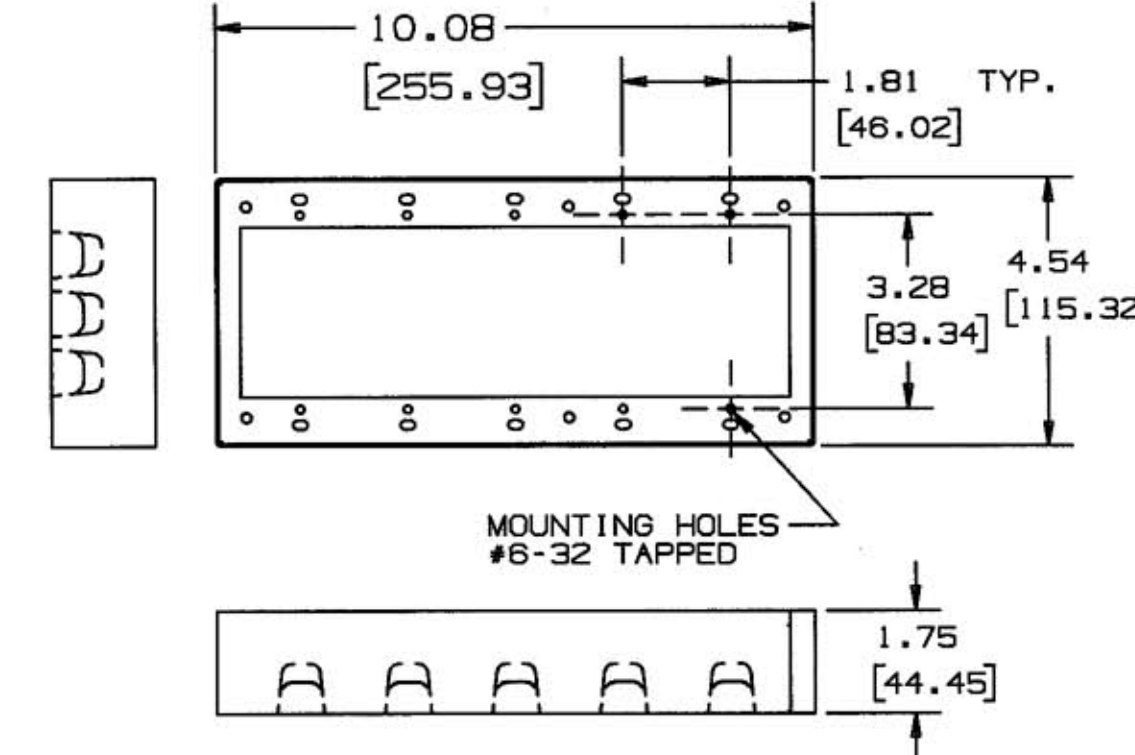
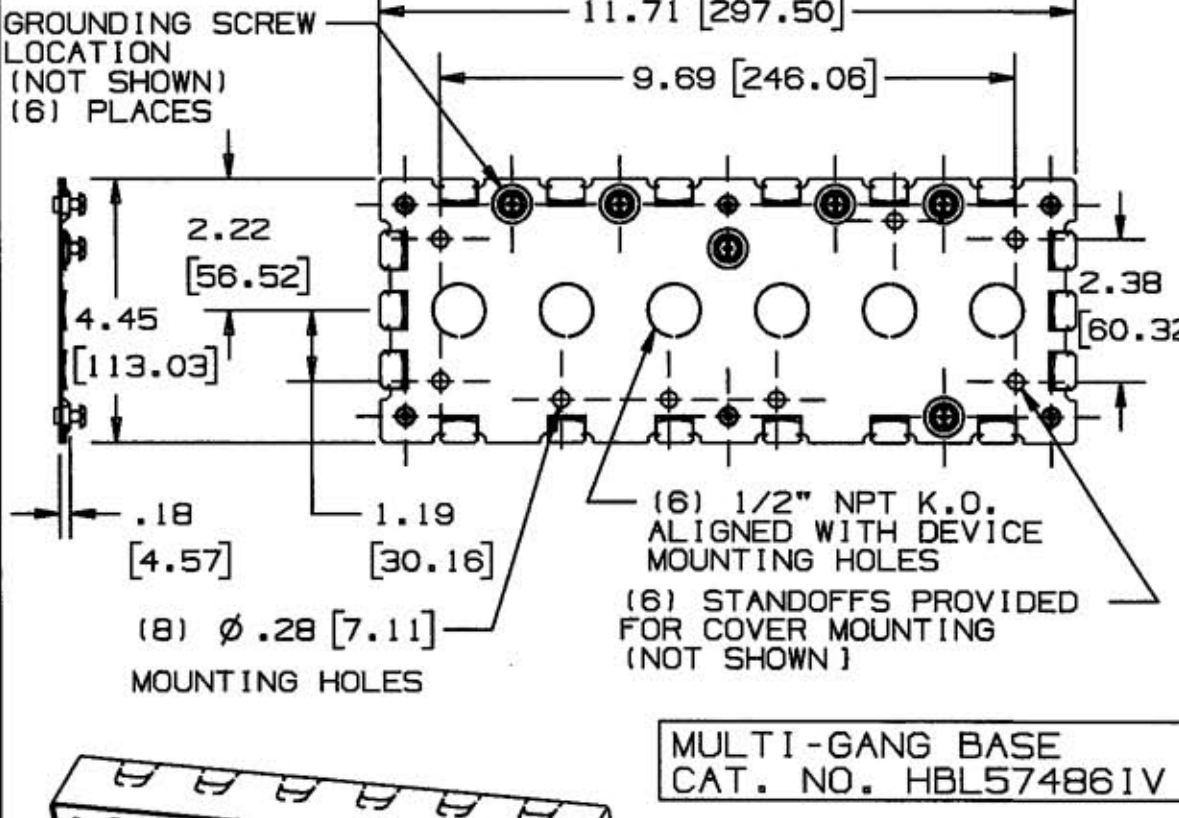
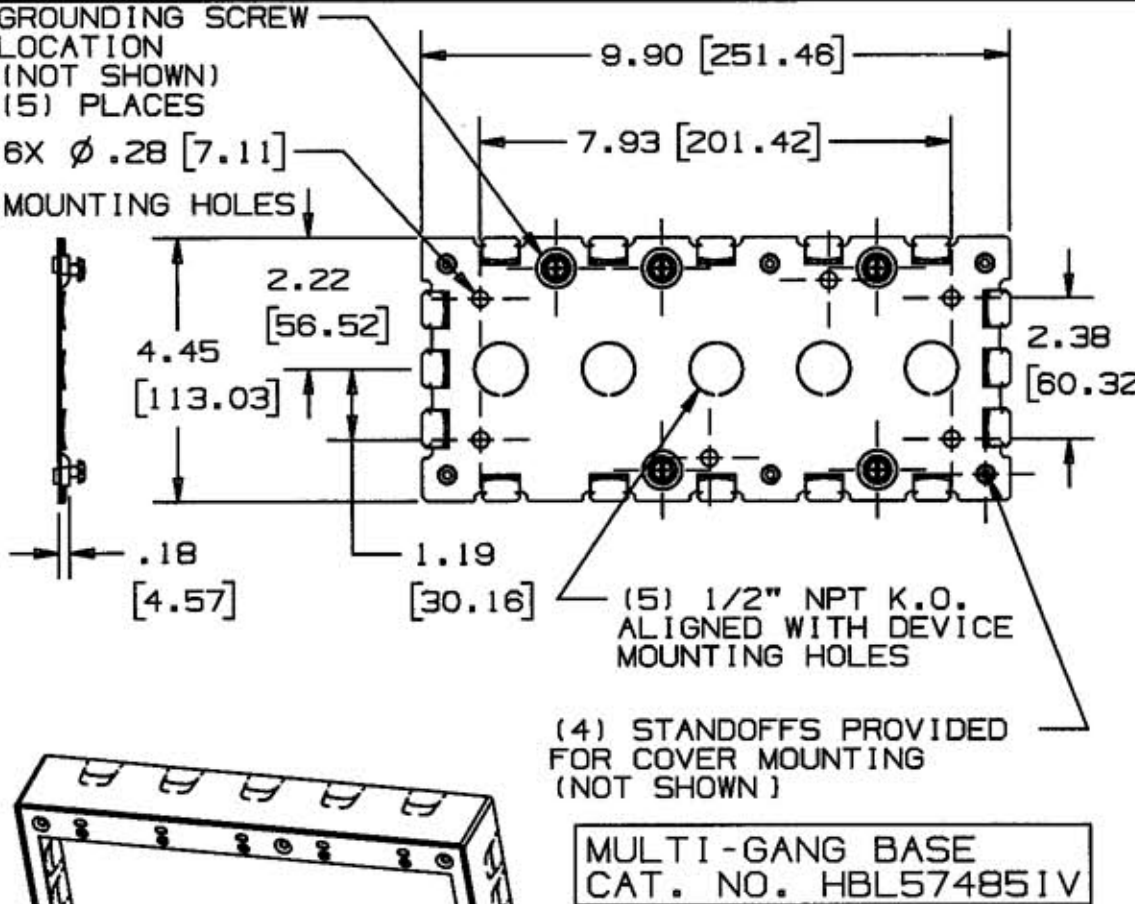


M-10376

1



LIST OF PARTS

DESCRIPTION	MATERIAL	FINISH
BOX COVER	STEEL	PAINTED
BOX BASE	STEEL	GALVANIZED

REPAIRABLE NON-REPAIRABLE

SYMBOL	REVISIONS	APP	DATE
1	RELEASED PER DCN13536	[Signature]	11/13/06

THE DESIGN AND DIMENSIONS OF THE PRODUCT SHOWN ON THIS DRAWING ARE SUBJECT TO CHANGE WITHOUT NOTICE

TITLE 5 & 6 GANG BOXES METAL RACEWAY HBL500/HBL750 SERIES

TOLERANCES UNLESS OTHERWISE SPECIFIED	WIRING DEVICE-KELLEMS HUBBELL INCORPORATED BRIDGEPORT, CT
FRACTIONS $\pm 1/64$	DR. BY SRE APP. BY [Signature]
DECIMALS $\pm .005$	TR. BY [Signature] SCALE 1:1
ANGLES $\pm 2^\circ$	CHK'D BY [Signature] DATE 11/13/06

CAT. NO.	COLOR	VOLUME
HBL57485IV	IVORY	74.0in ³ [1212.1cm ³]

CAT. NO.	COLOR	VOLUME
HBL57486IV	IVORY	87.5in ³ [1433.3cm ³]

DIMENSION SHEET FOR CAT. NO. SEE TABLE REPAIRABLE NON-REPAIRABLE B M-10376 1