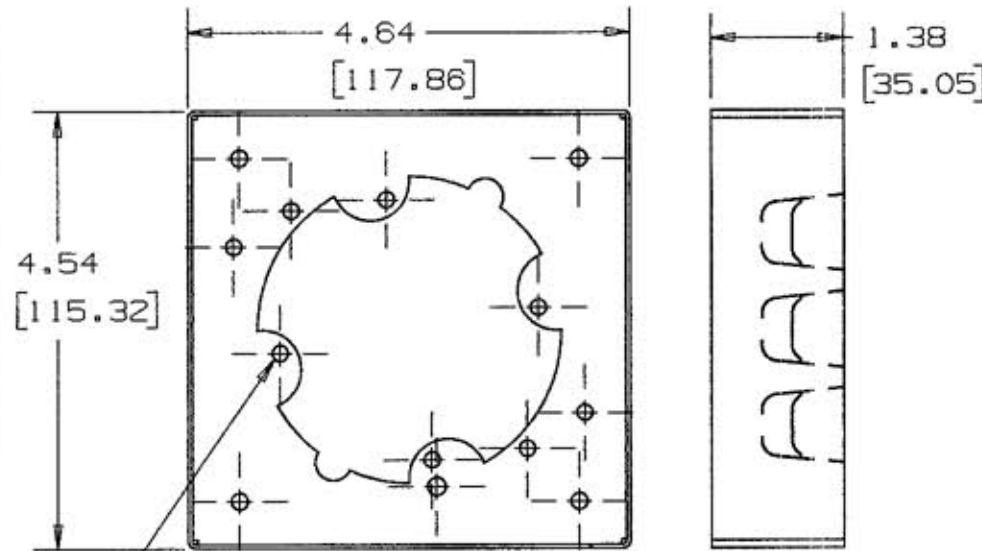
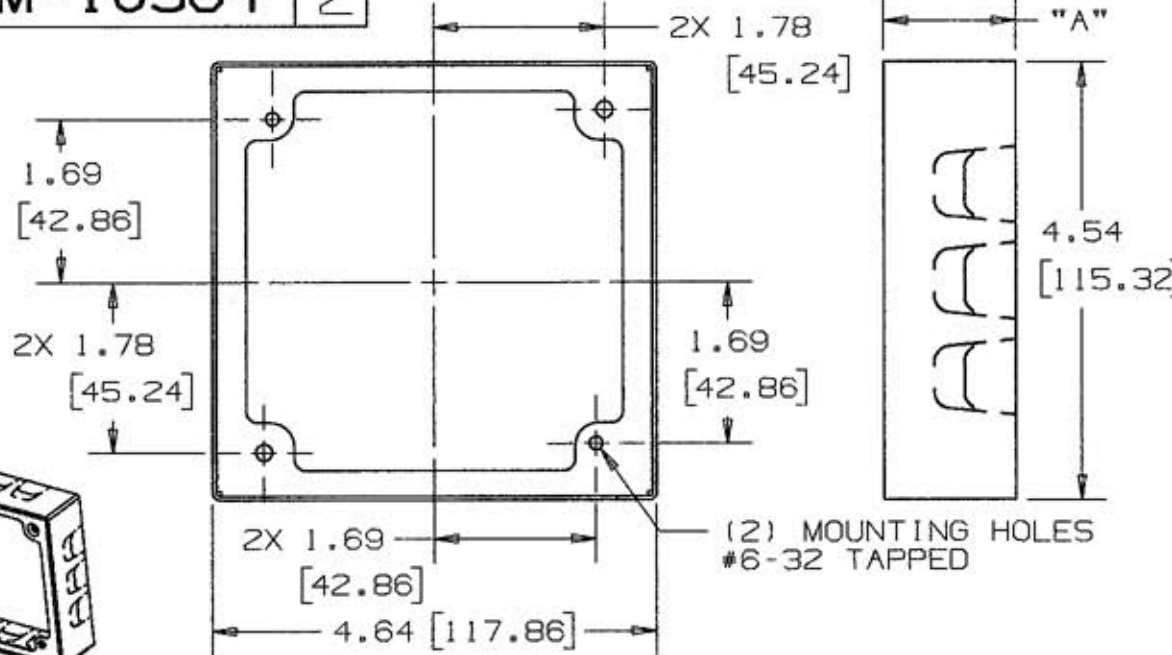
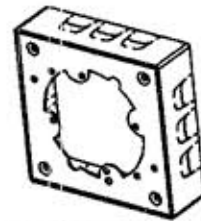


M-10364 2



MOUNTING CENTERS OF 2 3/4" [69.85], 3 1/2" [88.9] & 4 1/16" [103.12]



(2) MOUNTING HOLES #6-32 TAPPED

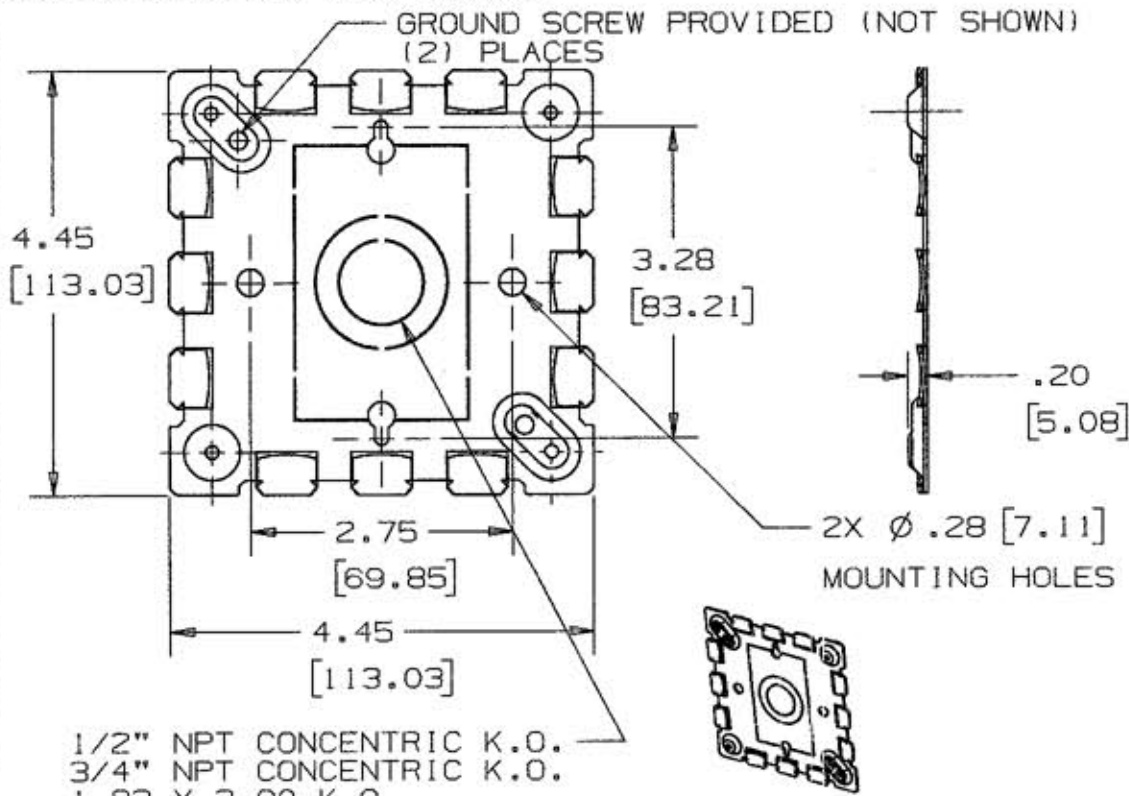
BOX COVER

CAT. NO.	COLOR	"A"	VOLUME
HBL5752IV	IVORY	1.375	27.0in ³ [442.3cm ³]
HBL5753IV	IVORY	2.75	54.0in ³ [884.5cm ³]
HBL5752R	RED	1.375	27.0in ³ [442.3cm ³]
HBL5753R	RED	2.75	54.0in ³ [884.5cm ³]

DISTRIBUTION BOX COVER

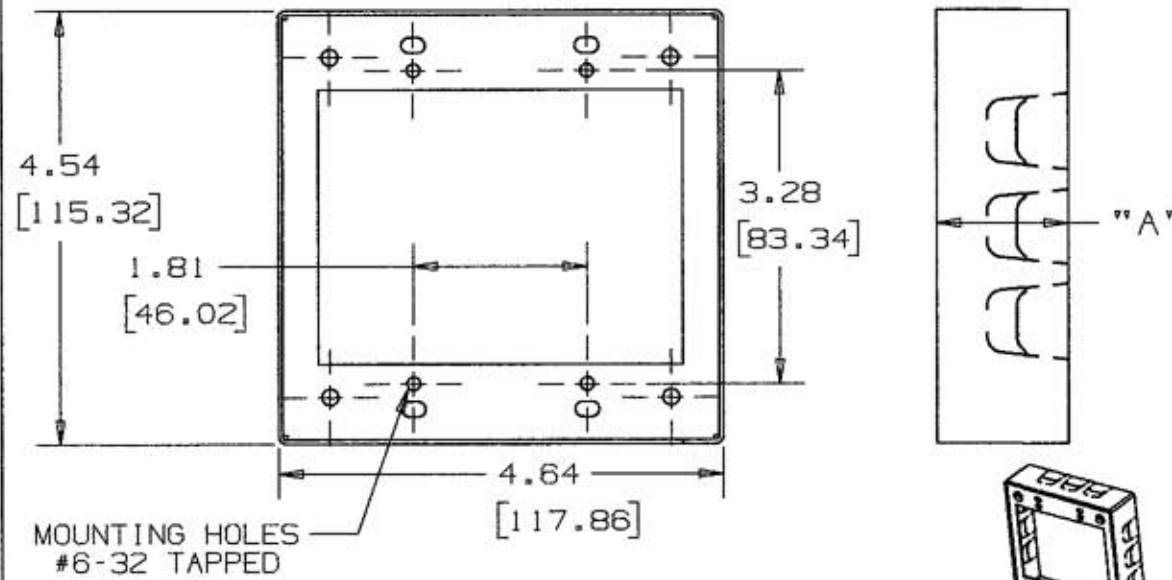
CAT. NO.	COLOR	VOLUME
HBL5735IV	IVORY	27.0in ³ [442.3cm ³]

NOTE:
4) STANDOFFS W/COVER SCREWS PROVIDED FOR COVER MOUNTING (NOT SHOWN)



1/2" NPT CONCENTRIC K.O.
3/4" NPT CONCENTRIC K.O.
1.82 X 2.90 K.O.

BOX BASE SUPPLIED WITH BOX COVERS



MOUNTING HOLES #6-32 TAPPED

BOX COVER

CAT. NO.	COLOR	"A"	VOLUME
HBL57472IV	IVORY	1.375	27.0in ³ [442.3cm ³]
HBL57482IV	IVORY	1.75	34.0in ³ [556.9cm ³]
HBL5744S2IV	IVORY	2.25	44.0in ³ [720.7cm ³]
HBL57442IV	IVORY	2.75	54.0in ³ [884.5cm ³]
HBL57472W	WHITE	1.375	27.0in ³ [442.3cm ³]
HBL57482W	WHITE	1.75	34.0in ³ [556.9cm ³]
HBL5744S2W	WHITE	2.25	44.0in ³ [720.7cm ³]
HBL57442W	WHITE	2.75	54.0in ³ [884.5cm ³]

LIST OF PARTS

DESCRIPTION	MATERIAL	FINISH
BOX COVER	STEEL	PAINTED
BOX BASE	STEEL	GALVANIZED
STANDOFFS	STEEL	GALVANIZED

NOTE: ALL DIMENSION IN INCHES AND [MM]

SYM	REVISIONS	APP	DATE
2	ADDED "WHITE" CAT. NO'S TO BOX COVER TABLE PER DCN 13745 RCM	DJP	2/27/07
1	RELEASED PER DCN 13536	SRE	11/13/06

THE DESIGN AND DIMENSIONS OF THE PRODUCT SHOWN ON THIS DRAWING ARE SUBJECT TO CHANGE WITHOUT NOTICE

TITLE SWITCH & RECEPTACLE 2-GANG BOXES METAL RACEWAY HBL500/HBL750 SERIES

TOLERANCES UNLESS OTHERWISE SPECIFIED	WIRING DEVICE-KELLEMS HUBBELL INCORPORATED BRIDGEPORT, CT	
FRACTIONS ± 1/64	DR. BY SRE	APP. BY SRE
DECIMALS ± .005	TR. BY	SCALE 1:1
ANGLES ± 2°	CHK'D BY SRE	DATE 11/13/06