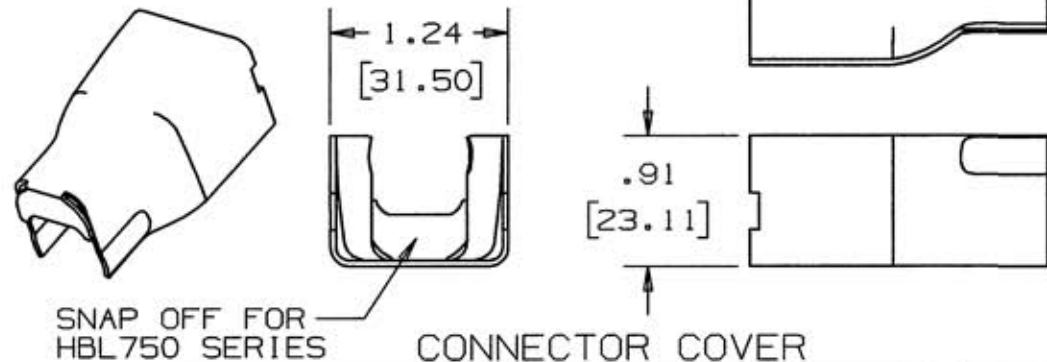


**M-10368**

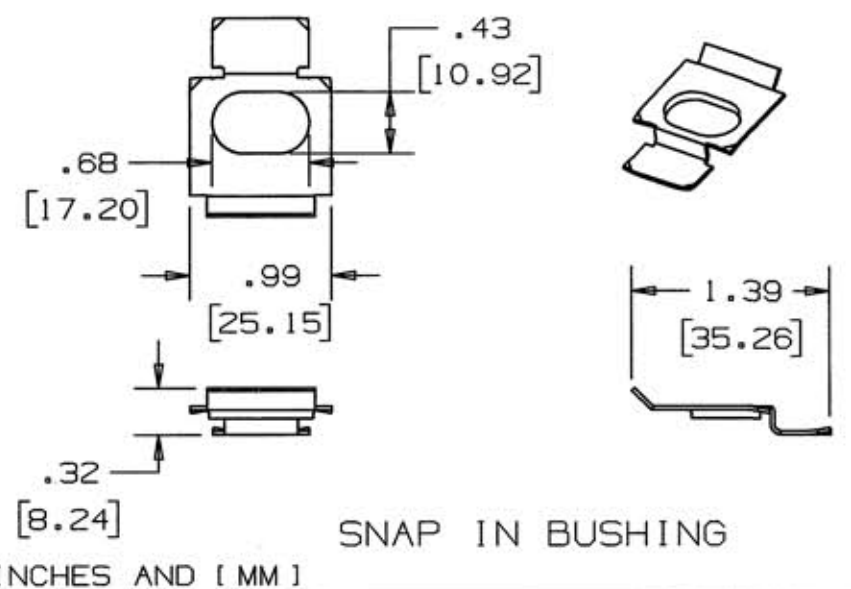
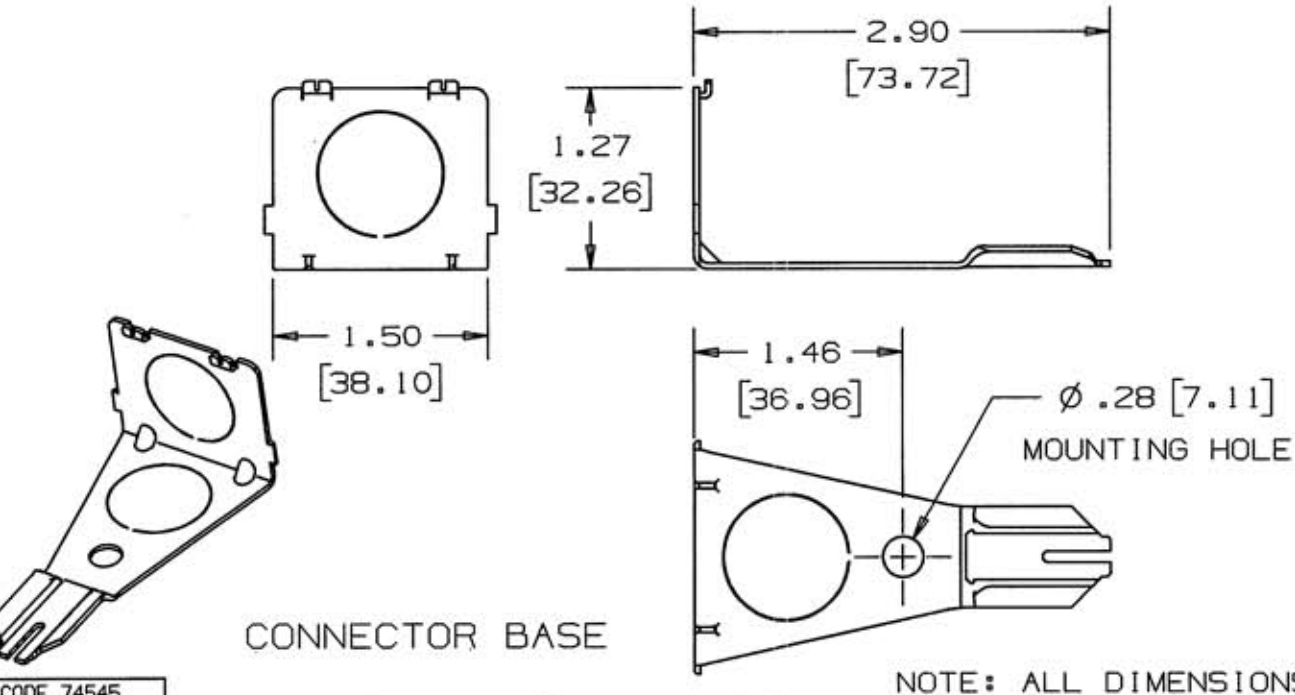
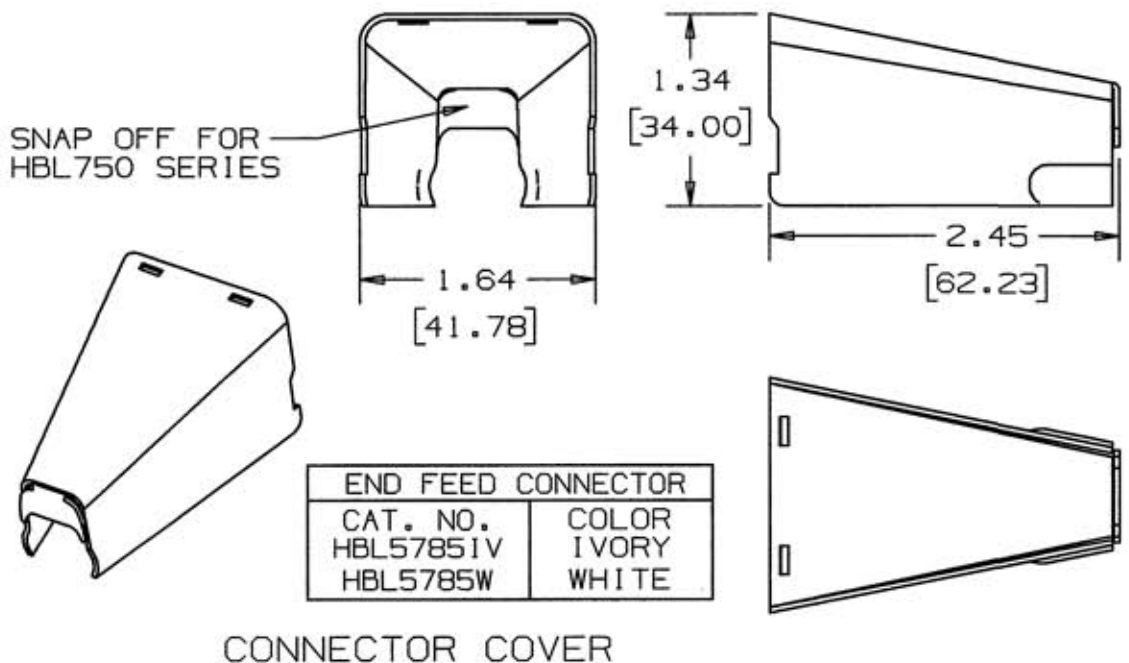
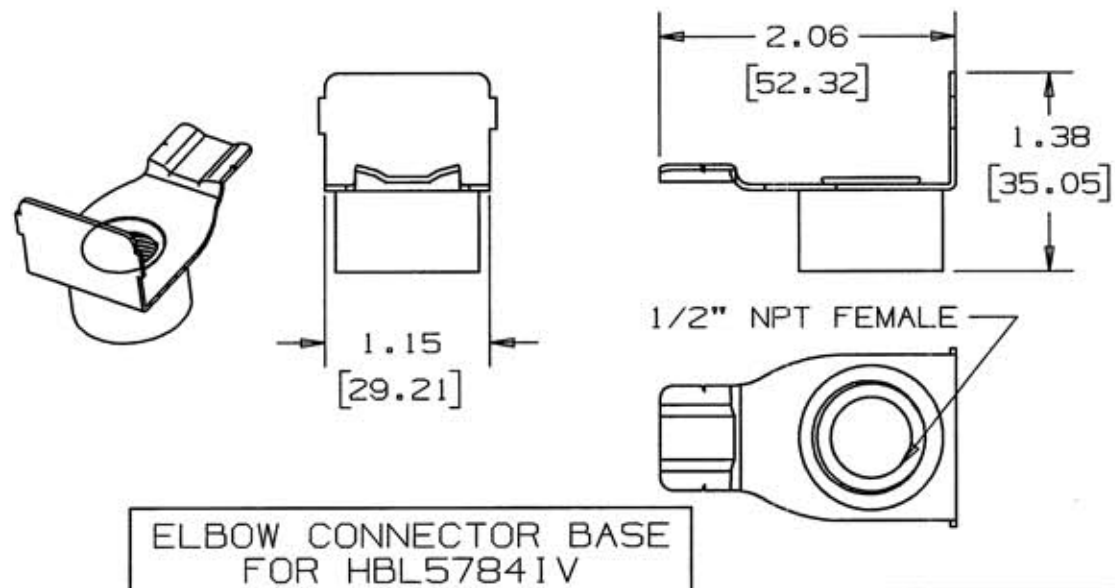
3

CONNECTOR		
CAT. NO.	TYPE	COLOR
HBL57831V	BOX	IVORY
HBL57841V	ELBOW	IVORY



LIST OF PARTS

DESCRIPTION	MATERIAL	FINISH
CONNECTOR COVER	STEEL	PAINTED
CONNECTOR BASE	STEEL	GALVANIZED
SNAP IN BUSHING	STEEL	GALVANIZED



SYM	REVISIONS	APP	DATE
3	ADDED HBL TO 750 SERIES DCN13911 SRE	SRE	4/23/07
2	ADDED "HBL5785W" TO END FEED CONNECTOR TABLE PER DCN 13745 RCM	DJP	2/27/07
1	RELEASED PER DCN 13536	SRE	11/13/06

THE DESIGN AND DIMENSIONS OF THE PRODUCT SHOWN ON THIS DRAWING ARE SUBJECT TO CHANGE WITHOUT NOTICE

TITLE METAL RACEWAY MISC. PARTS HBL500/HBL750 SERIES

TOLERANCES UNLESS OTHERWISE SPECIFIED	WIRING DEVICE-KELLEMS HUBBELL INCORPORATED BRIDGEPORT, CT	
	FRACTIONS $\pm 1/64$ DECIMALS $\pm .005$ ANGLES $\pm 2^\circ$	DR. BY SRE TR. BY
	CHK'D BY SRE	DATE 11/13/06

DIMENSION SHEET FOR CAT. NO. M-10368

REPAIRABLE  NON-REPAIRABLE

SEE TABLE

B

M-10368

3