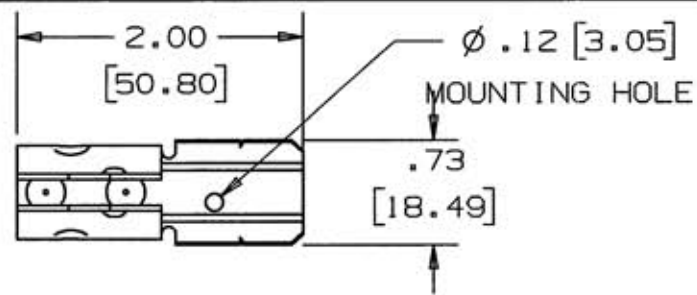
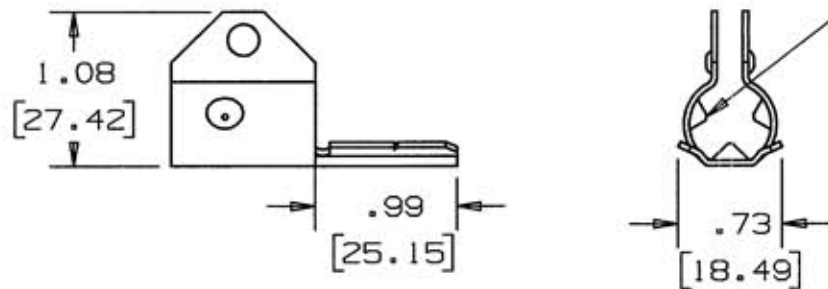


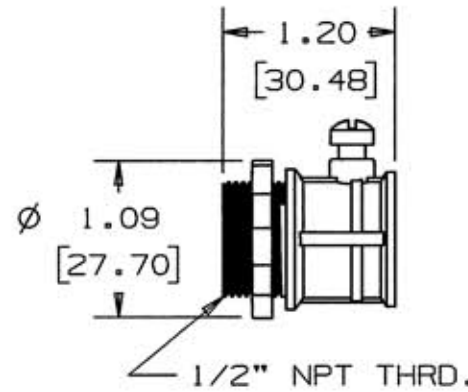
M-10369 3



USE WITH ARMORED CABLES
14/2, 14/3, 12/2, 12/3



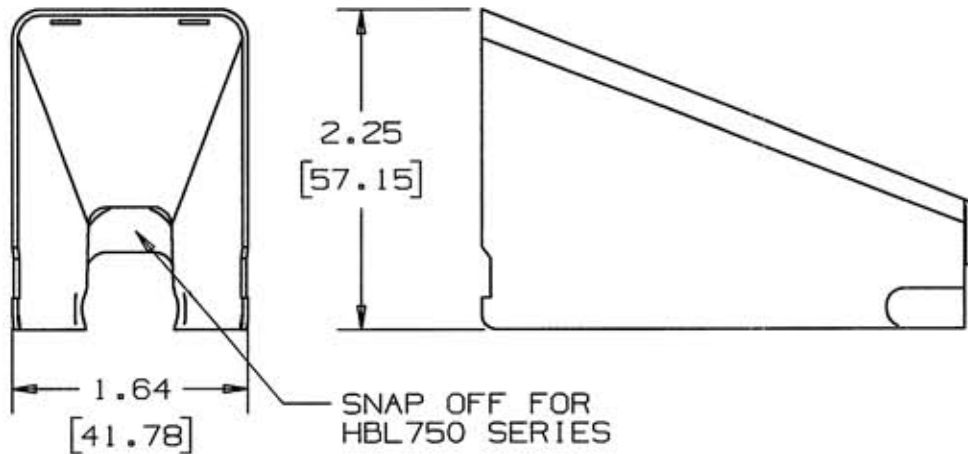
A/C CONNECTOR
CAT. NO. HBL5790B



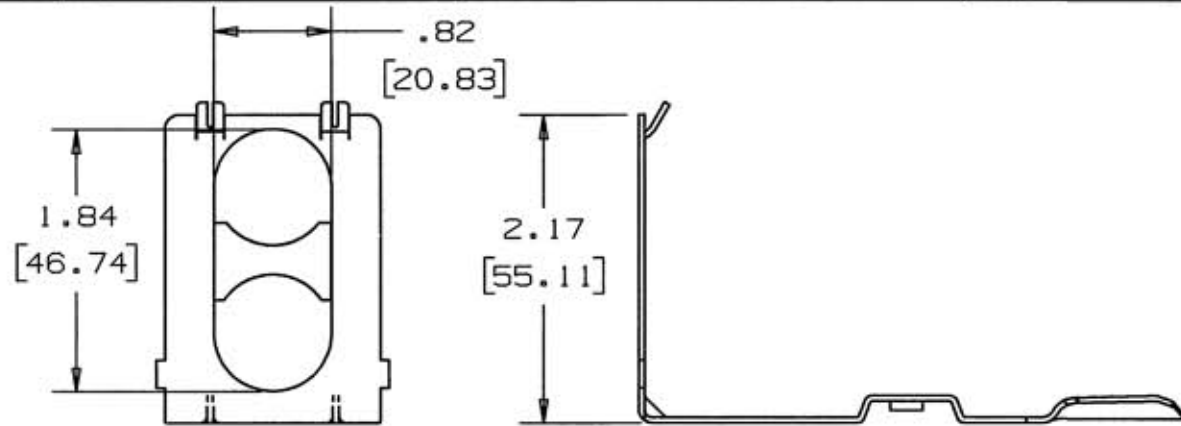
FOR 1/2" EMT



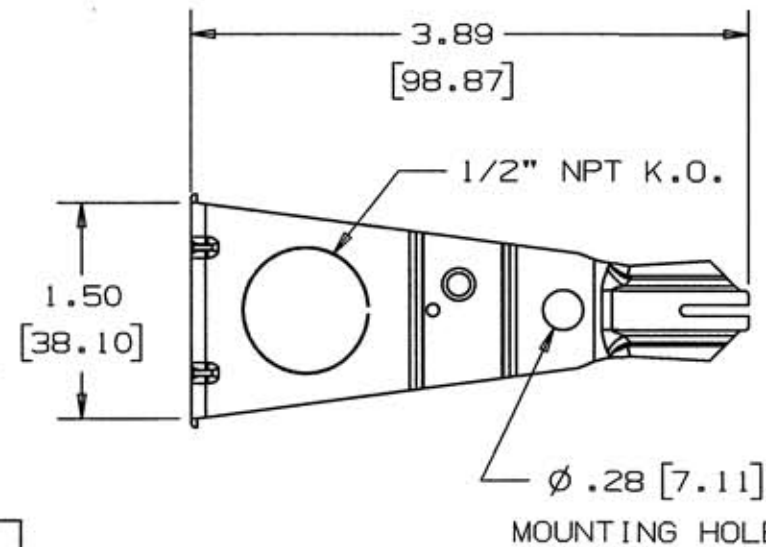
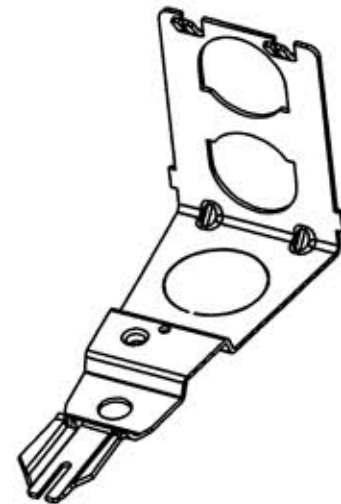
1/2" EMT CONNECTOR
CAT. NO. HBL5791



CONNECTOR COVER
PROVIDED WITH CHASE NIPPLE
(NOT SHOWN)



END FEED CONNECTOR
CAT. NO. HBL5786IV HBL5786W
COLOR IVORY WHITE



CONNECTOR BASE

LIST OF PARTS

DESCRIPTION	MATERIAL	FINISH
ARMORED CONNECTOR	STEEL	GALVANIZED
EMT CONNECTOR	CAST	GALVANIZED
CHASE NIPPLE	CAST	GALVANIZED
CONNECTOR COVER	STEEL	PAINTED
CONNECTOR BASE	STEEL	GALVANIZED

SYM	REVISIONS	APP	DATE
3	ADDED HBL TO 750 SERIES DCN13911 SRE	SRE	4/23/07
2	ADDED "HBL5786W" TO END FEED CONNECTOR TABLE PER DCN 13745 RCM	DJP	2/27/07
1	RELEASED PER DCN 13536	SRE	11/13/06

THE DESIGN AND DIMENSIONS OF THE PRODUCT SHOWN ON THIS DRAWING ARE SUBJECT TO CHANGE WITHOUT NOTICE

TITLE
METAL RACEWAY
MISC. PARTS
HBL500/HBL750 SERIES

TOLERANCES UNLESS OTHERWISE SPECIFIED
FRACTIONS ± 1/64
DECIMALS ± .005
ANGLES ± 2°

WIRING DEVICE-KELLEMS
HUBBELL INCORPORATED
BRIDGEPORT, CT
DR. BY AMM APP. BY SRE
TR. BY SCALE 1:1
CHK'D BY SRE DATE 11/13/06