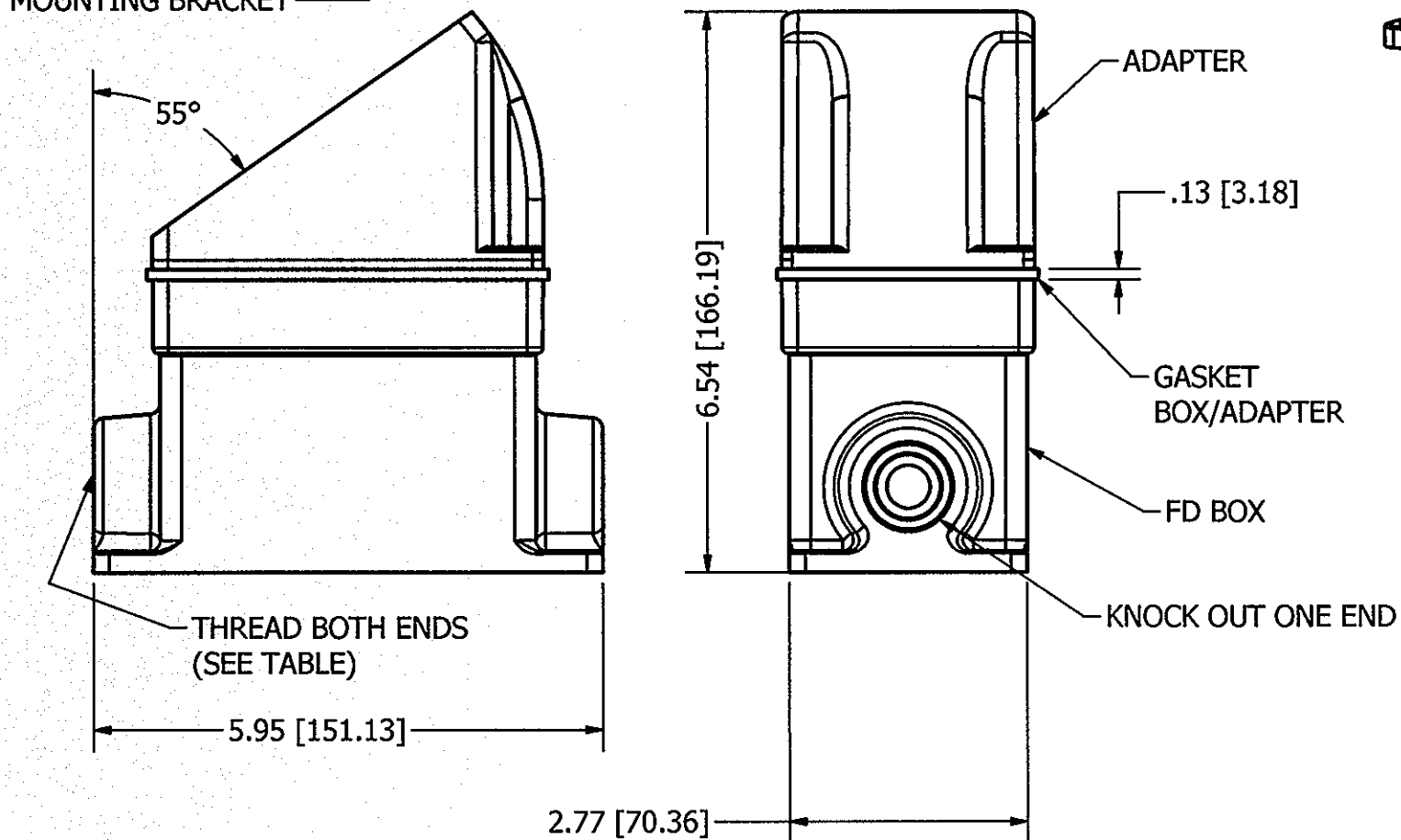
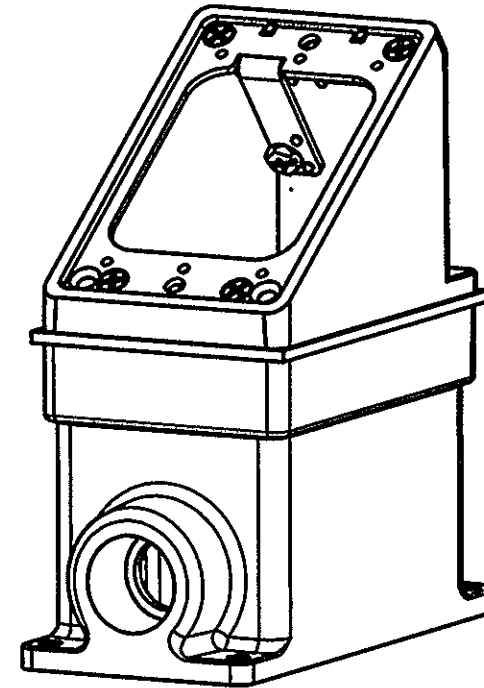
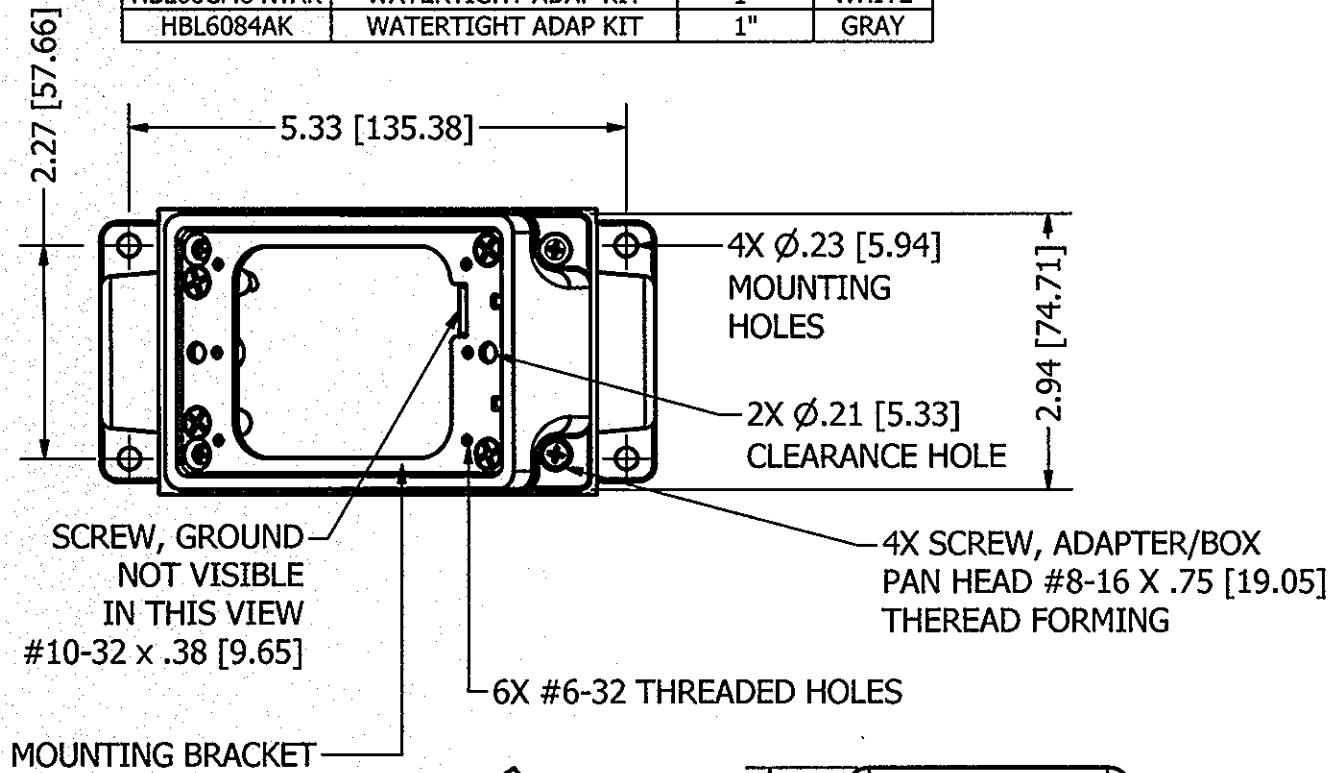


M-12904 1

CATALOG #	DESCRIPTION	HUB SIZE	COLOR
HBL60CM83AK	WATERTIGHT ADAP KIT	3/4"	YELLOW
HBL60CM83WAK	WATERTIGHT ADAP KIT	3/4"	WHITE
HBL6083AK	WATERTIGHT ADAP KIT	3/4"	GRAY
HBL60CM84AK	WATERTIGHT ADAP KIT	1"	YELLOW
HBL60CM84WAK	WATERTIGHT ADAP KIT	1"	WHITE
HBL6084AK	WATERTIGHT ADAP KIT	1"	GRAY



NOTES:
 DIMENSIONS ARE IN INCHES [mm]

BOX
 1-ENC TYPE 3R,3RX,4X.
 2-FOR WET AND DAMP LOCATIONS.
 3-FOR USE WITH NON METALLIC WIRING SYSTEMS ONLY.
 4-VOLUME 30 CU.IN. (492 CUBIC CM).
 5-cULus LISTED.

ADAPTER
 6-VOLUME 15 CU.IN. (246 CU.CM).

LIST OF PARTS

DESCRIPTION	MATERIAL	FINISH
FD BOX	PLASTIC PBT	EXTRUDED
ADAPTER	PLASTIC PBT	TEXTURED
MOUNTING BRACKET	STAINLESS STEEL TYPE 304	PASSIVATED
GASKET	FOAM RUBBER	BLACK
SCREW, ADAPTER/BOX	STAINLESS STEEL TYPE 302	PASSIVATED
SCREW, MOUNTING PLATE	STAINLESS STEEL TYPE 302	PASSIVATED
SCREW, GROUND	BRONZE	GREEN

1	RELEASED PER DCN# 21013.	MZ	2-15-15
SYM	DESCRIPTION	APPRO	DATE

THE DESIGN AND DIMENSIONS OF THE PRODUCT SHOWN ON THIS DRAWING ARE SUBJECT TO CHANGE WITHOUT NOTICE

TITLE
FD BOX / ADAPTER KIT

TOLERANCES UNLESS OTHERWISE SPECIFIED FRACTIONS ±1/64 DECIMALS ±.005 ANGLES ±2°	WIRING DEVICE-KELLEMS HUBBELL INCORPORATED SHELTON, CT	
	DR. BY MZ	APP. BY TLS
	TR. BY	SCALE 1:2
	CHK'D BY TLS	DATE 1/29/15

DIMENSION SHEET FOR CAT. NO. **SEE TABLE**
 REPAIRABLE NON-REPAIRABLE
B
M-12904
1