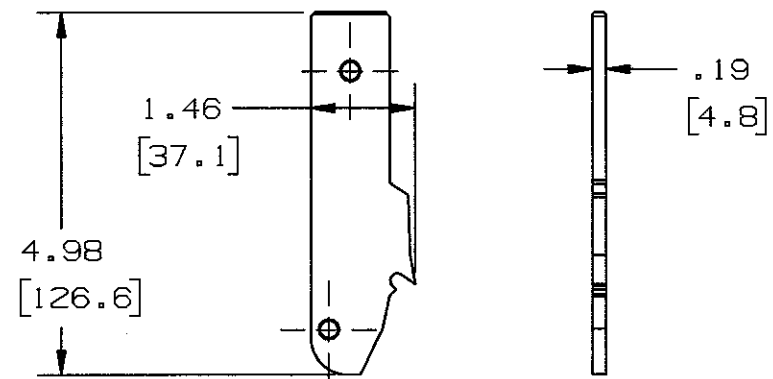
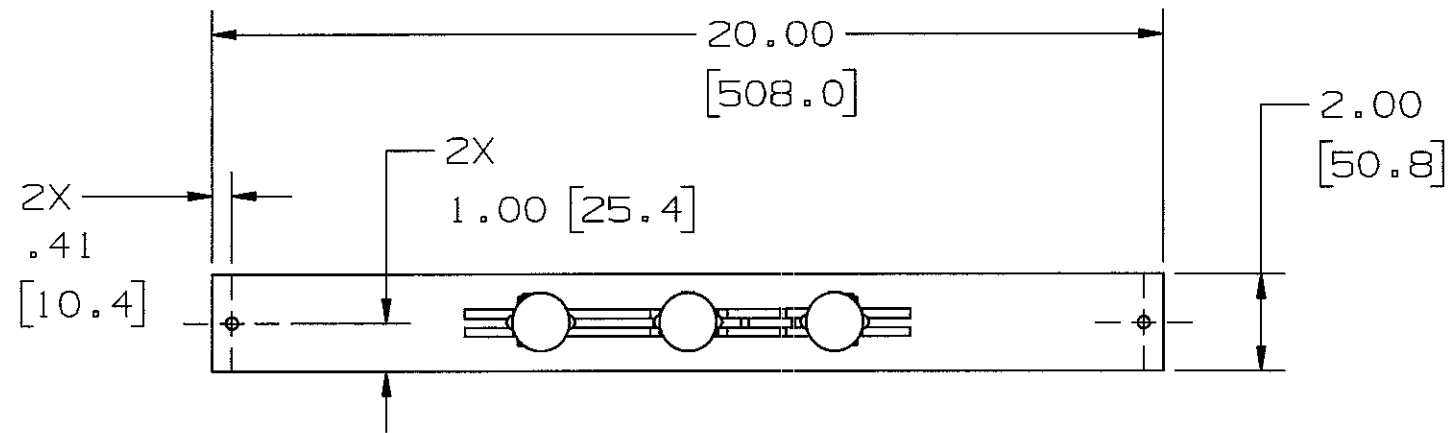
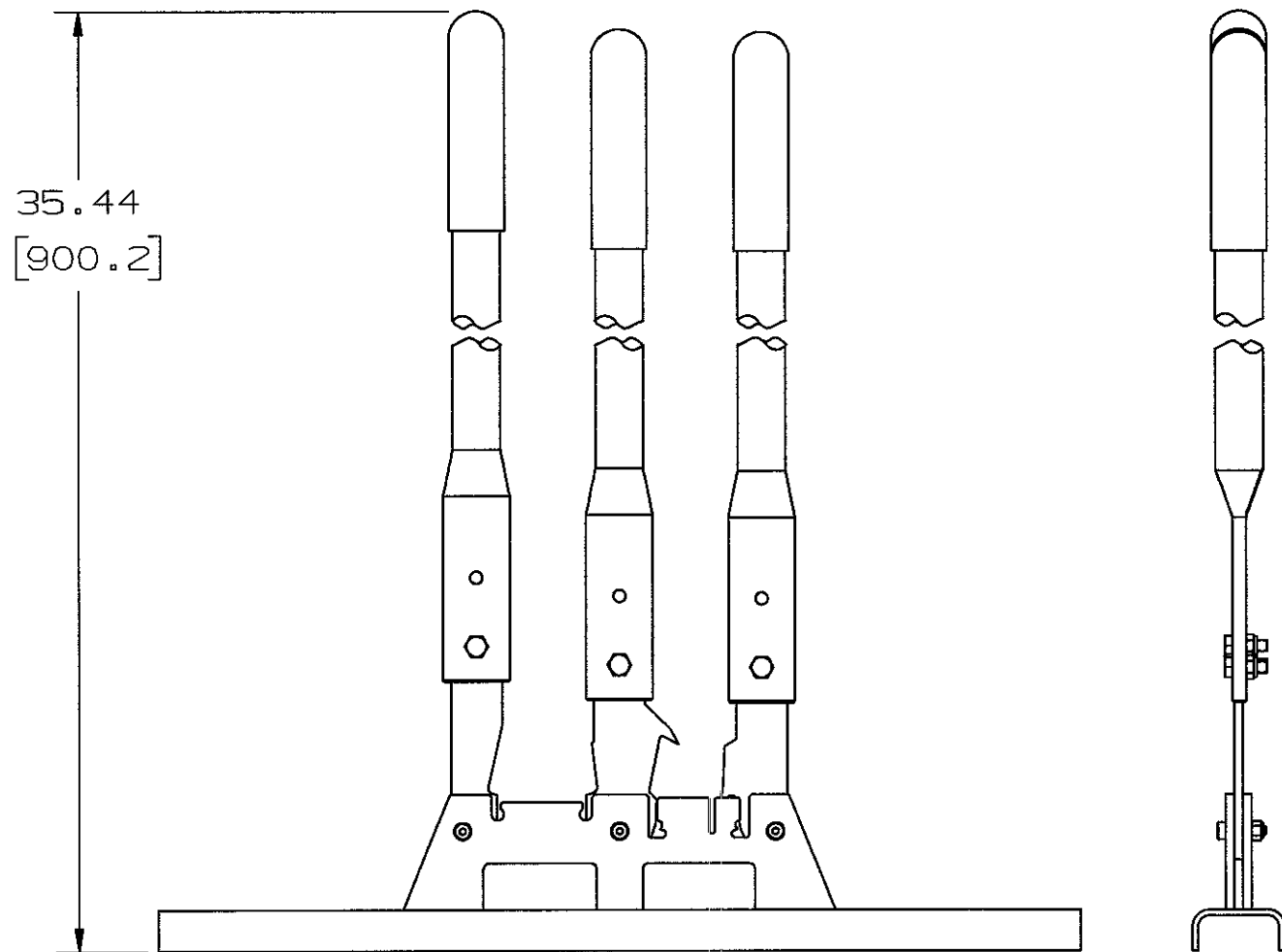


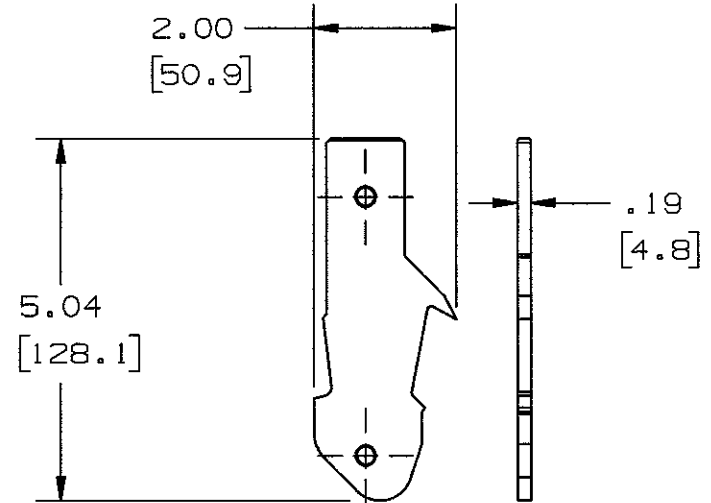
M-10323 2



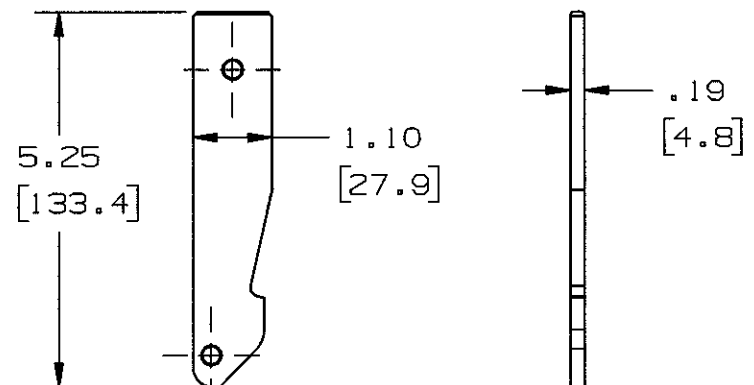
REPLACEMENT BLADE, BASE
CAT. NO. HBL624BCK



RACEWAY CUTTER
CAT. NO. HBL624CUT



REPLACEMENT BLADE, CENTER
CAT. NO. HBL624BCK



REPLACEMENT BLADE, COVER
CAT. NO. HBL624BCK

LIST OF PARTS

DESCRIPTION	MATERIAL	FINISH
CUTTER	STEEL	PAINTED
CUTTER BLADES	STEEL	

2	OVERALL HEIGHT 35.44 WAS 21.44, BASE BLADE LENGTH 4.98 WAS 5.25, CENTER BLADE LENGTH 5.04 WAS 5.31 DCN15208 SRE	SRE	10/28/08
1	RELEASED PER DCN13354	SRE	2/15/07
SYM	REVISIONS	APP	DATE

THE DESIGN AND DIMENSIONS OF THE PRODUCT SHOWN ON THIS DRAWING ARE SUBJECT TO CHANGE WITHOUT NOTICE

TITLE
RACEWAY CUTTER
HBL2400/HBL2400D SERIES

TOLERANCES UNLESS OTHERWISE SPECIFIED	WIRING DEVICE-KELLEMS HUBBELL INCORPORATED BRIDGEPORT, CT	
FRACTIONS ± 1/64	DR. BY SRE	APP. BY SRE
DECIMALS ± .005	TR. BY	SCALE 1 : 1
ANGLES ± 2'	CHK'D BY SRE	DATE 2/15/07

DIMENSION SHEET FOR CAT. NO. M-10323 REPAIRABLE NON-REPAIRABLE B M-10323 2