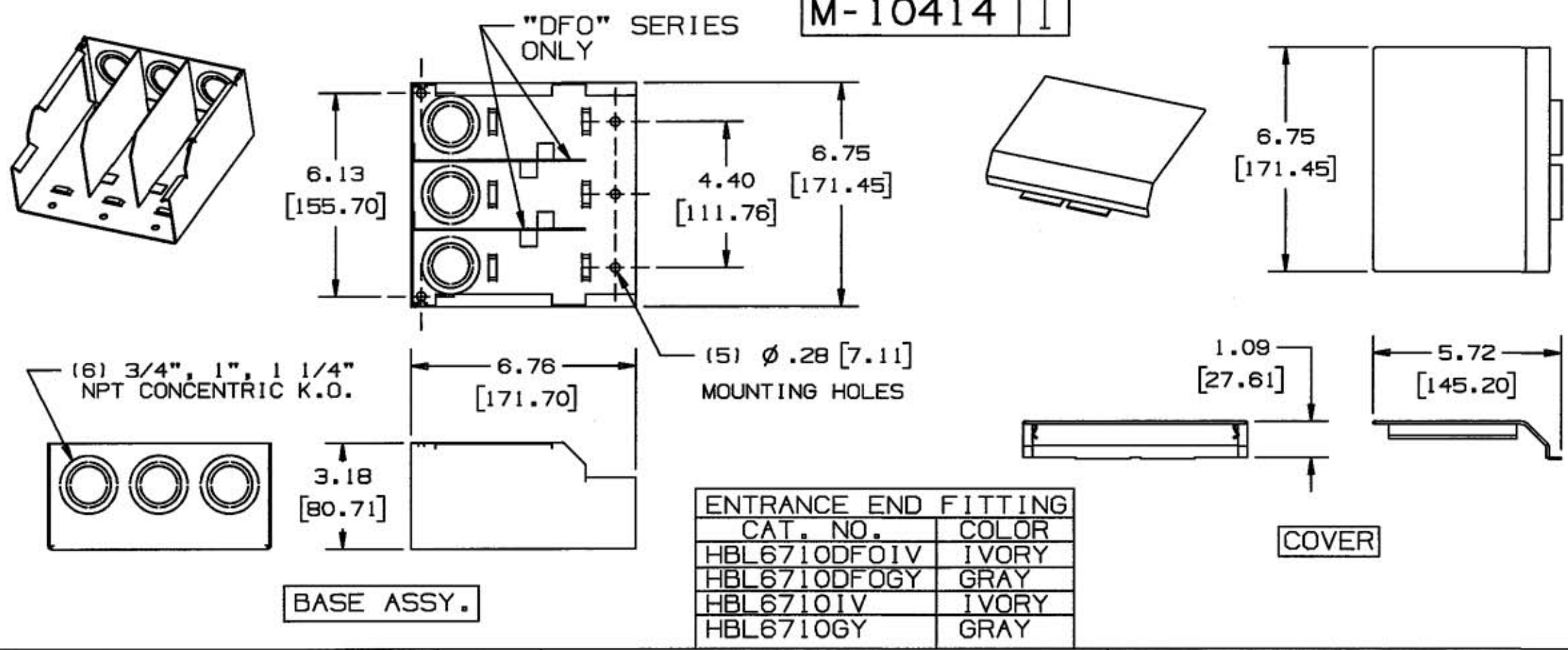


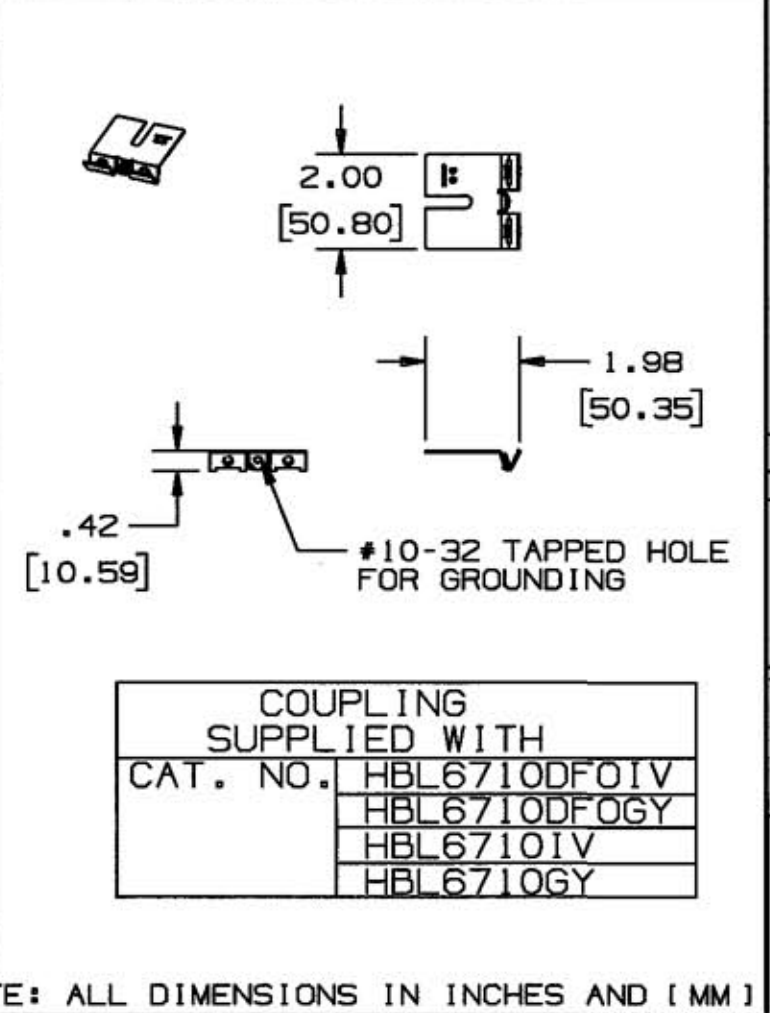
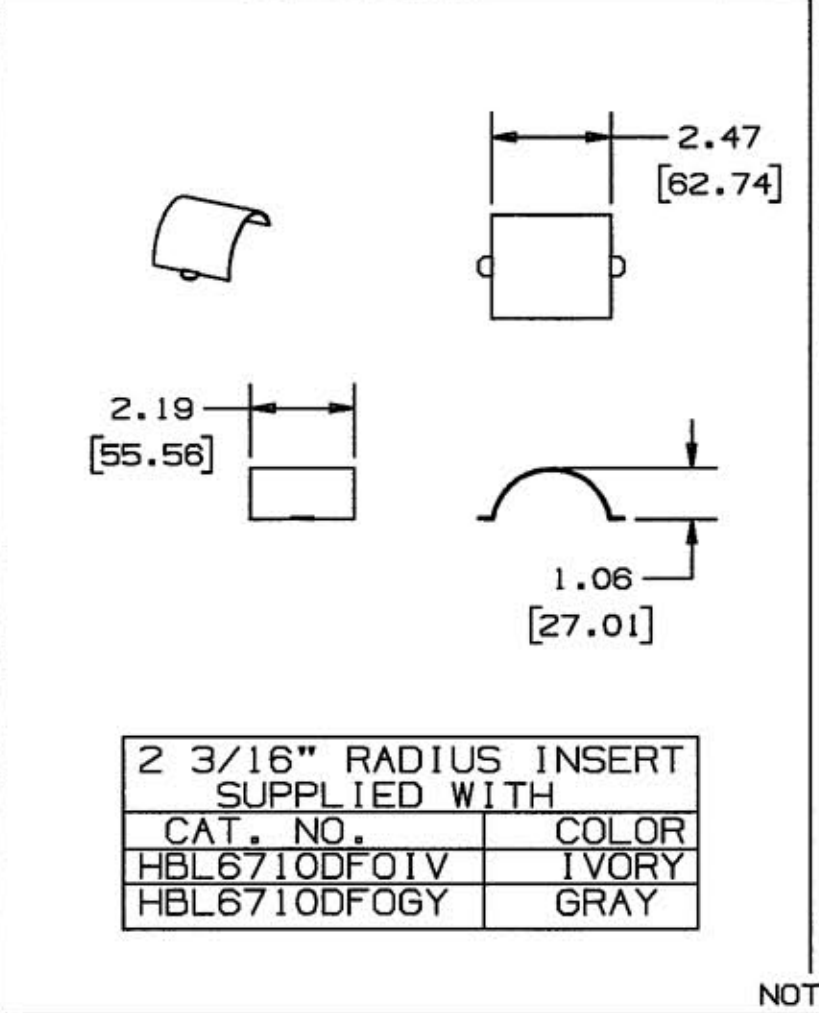
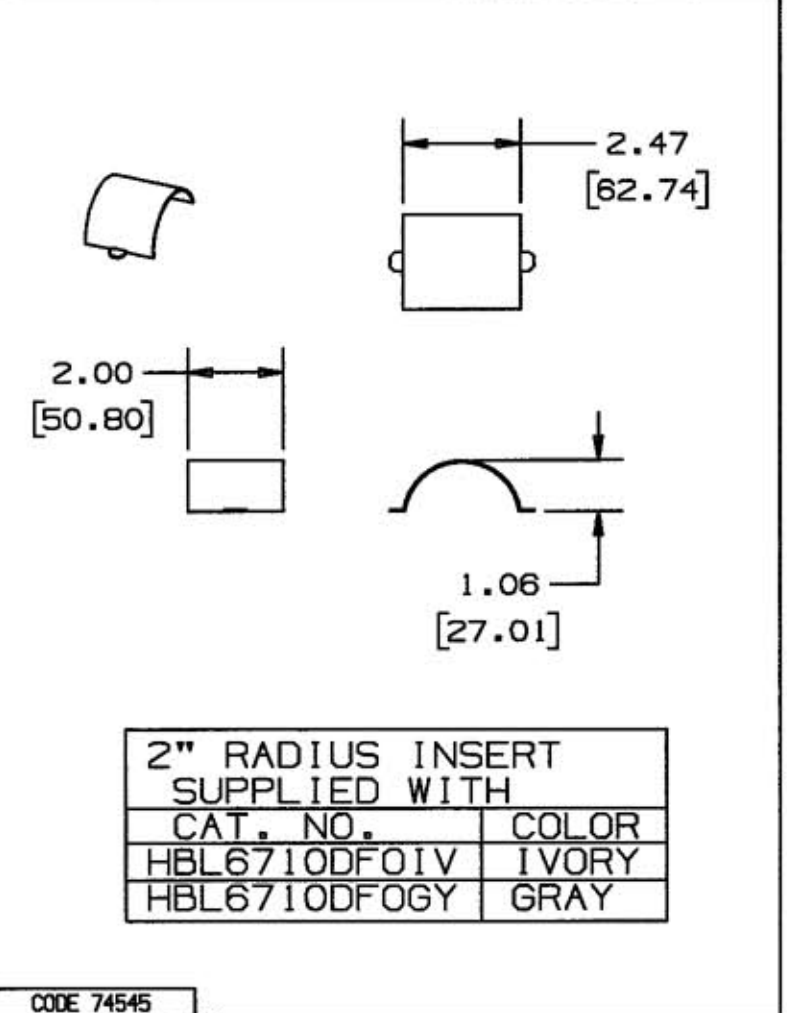
M-10414 1



ENTRANCE END FITTING	
CAT. NO.	COLOR
HBL6710DFOIV	IVORY
HBL6710DFOGY	GRAY
HBL6710IV	IVORY
HBL6710GY	GRAY

LIST OF PARTS		
DESCRIPTION	MATERIAL	FINISH
BASE ASSY.	STEEL	PAINTED
RADIUS INSERT	STEEL	PAINTED
COVER	STEEL	PAINTED
COUPLING	STEEL	GALVANIZED

DIMENSION SHEET FOR CAT. NO. SEE TABLE REPAIRABLE NON-REPAIRABLE



1	RELEASED PER DCN 13555	11/16/06
SYM	REVISIONS	APP DATE

THE DESIGN AND DIMENSIONS OF THE PRODUCT SHOWN ON THIS DRAWING ARE SUBJECT TO CHANGE WITHOUT NOTICE

TITLE		
ENTRANCE END FITTING HBL6750 SERIES		
TOLERANCES UNLESS OTHERWISE SPECIFIED	WIRING DEVICE-KELLEMS HUBBELL INCORPORATED BRIDGEPORT, CT	
FRACTIONS ± 1/64	DR. BY SRE	APP. BY
DECIMALS ± .005	TR. BY	SCALE 1:1
ANGLES ± 2°	CHK'D BY	DATE 11/16/06