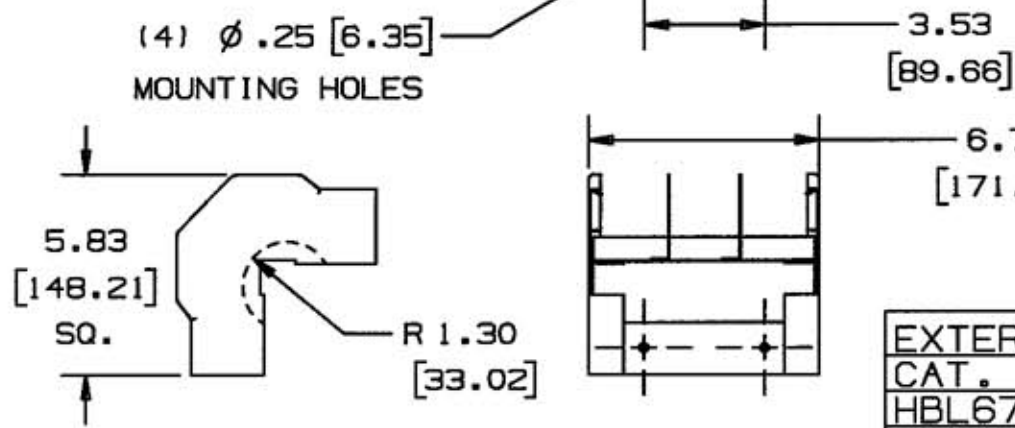
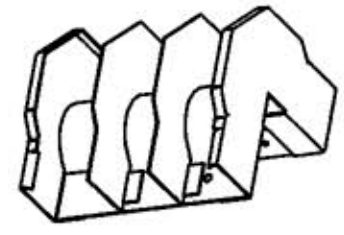
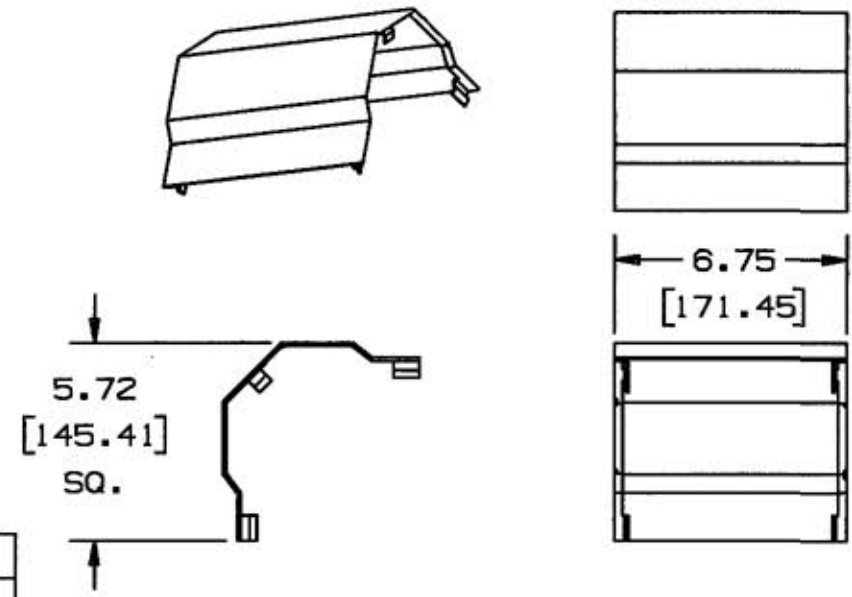


M-10419 1

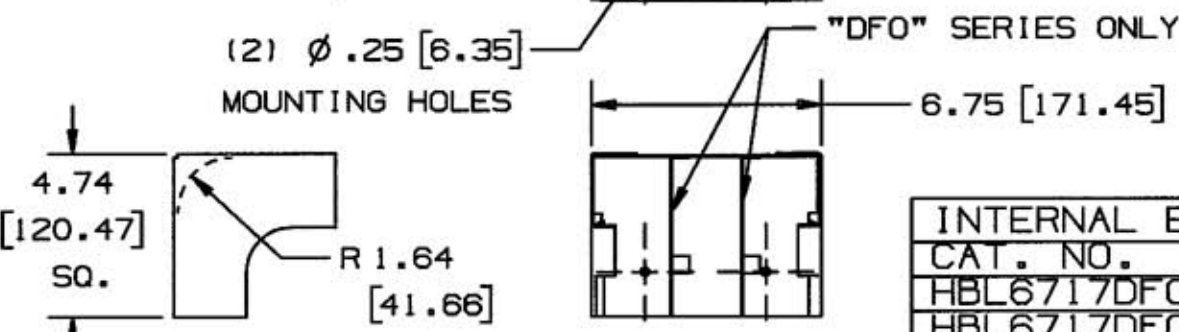
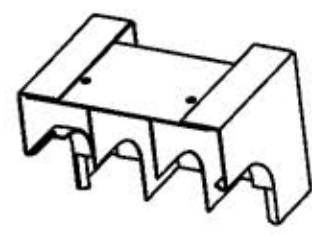


BASE WELDMENT

EXTERNAL ELBOW	
CAT. NO.	COLOR
HBL6718DFOIV	IVORY
HBL6718DFOGY	GRAY
HBL6718IV	IVORY
HBL6718GY	GRAY

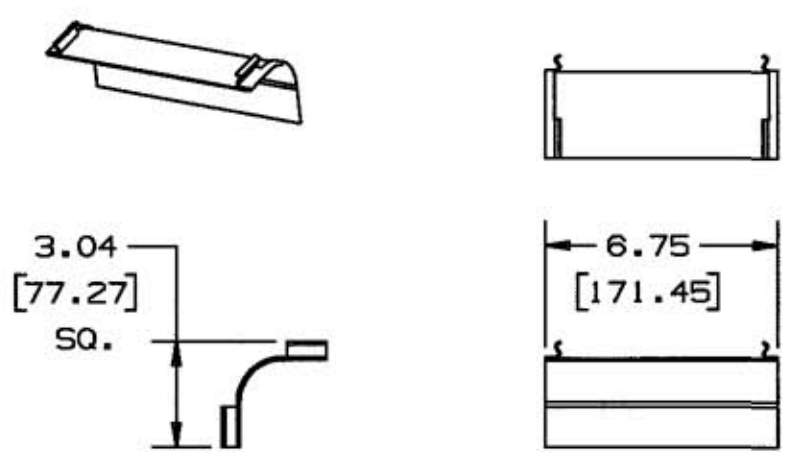


COVER

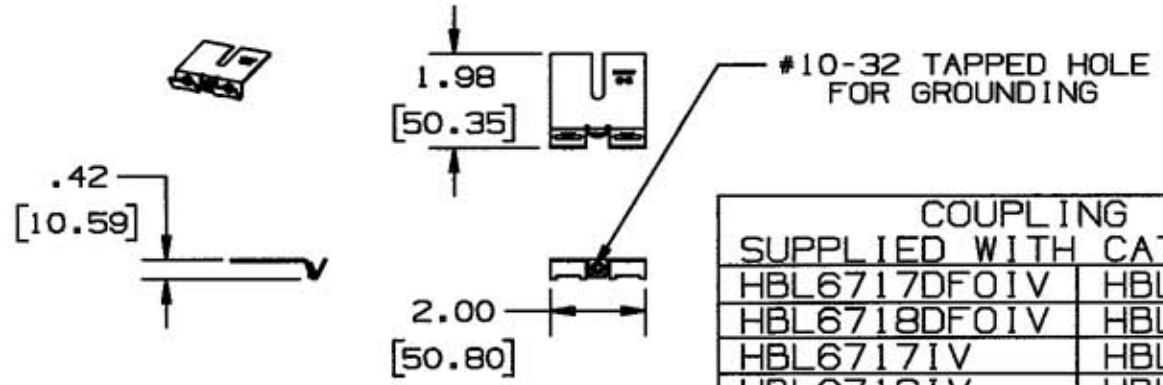


BASE ASSY.

INTERNAL ELBOW	
CAT. NO.	COLOR
HBL6717DFOIV	IVORY
HBL6717DFOGY	GRAY
HBL6717IV	IVORY
HBL6717GY	GRAY



COVER



COUPLING SUPPLIED WITH CAT. NO.	
HBL6717DFOIV	HBL6717DFOGY
HBL6718DFOIV	HBL6718DFOGY
HBL6717IV	HBL6717GY
HBL6718IV	HBL6718GY

NOTE: ALL DIMENSIONS IN INCHES AND [MM]

LIST OF PARTS

DESCRIPTION	MATERIAL	FINISH
INTERNAL ELBOW	STEEL	PAINTED
EXTERNAL ELBOW	STEEL	PAINTED
COUPLING	STEEL	GALVANIZED

DIMENSION SHEET FOR CAT. NO. SEE TABLE REPAIRABLE NON-REPAIRABLE B M-10419 1

1	RELEASED PER DCN 13555	11/17/06
SYM	REVISIONS	APP DATE

THE DESIGN AND DIMENSIONS OF THE PRODUCT SHOWN ON THIS DRAWING ARE SUBJECT TO CHANGE WITHOUT NOTICE

TITLE
INTERNAL / EXTERNAL ELBOWS
HBL6750 SERIES

TOLERANCES UNLESS OTHERWISE SPECIFIED FRACTIONS ± 1/64 DECIMALS ± .005 ANGLES ± 2°	WIRING DEVICE-KELLEMS HUBBELL INCORPORATED BRIDGEPORT, CT	
	DR. BY SRE	APP. BY
	TR. BY	SCALE 1:1
CHK'D BY	DATE 11/17/06	