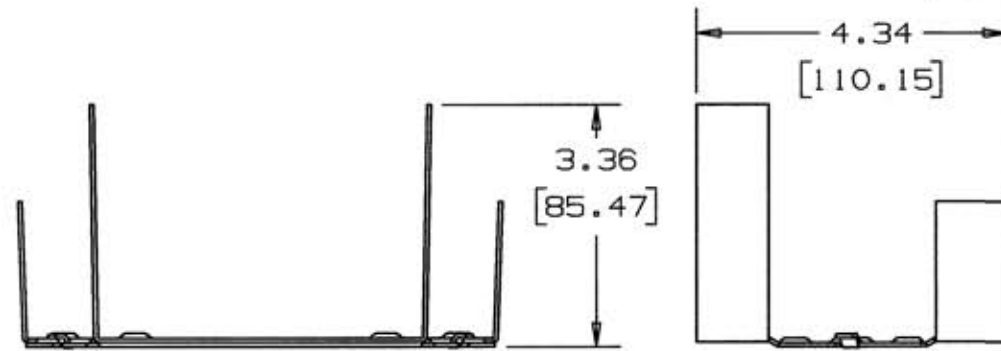
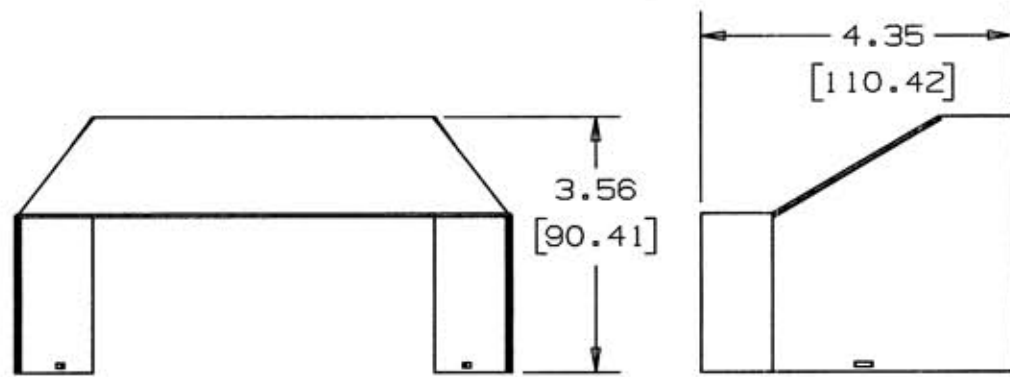
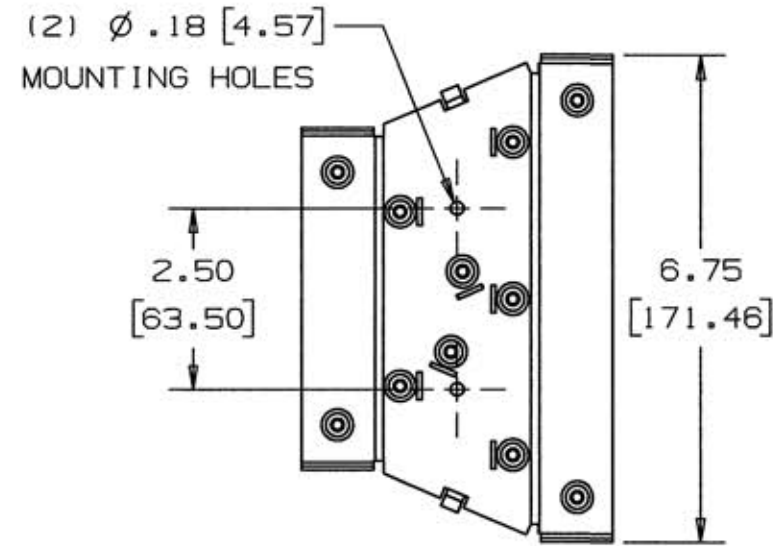
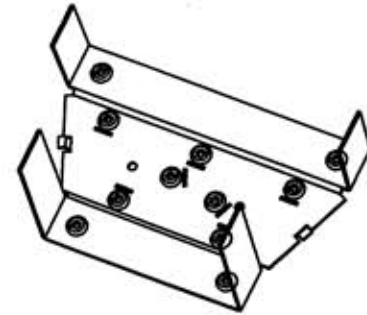
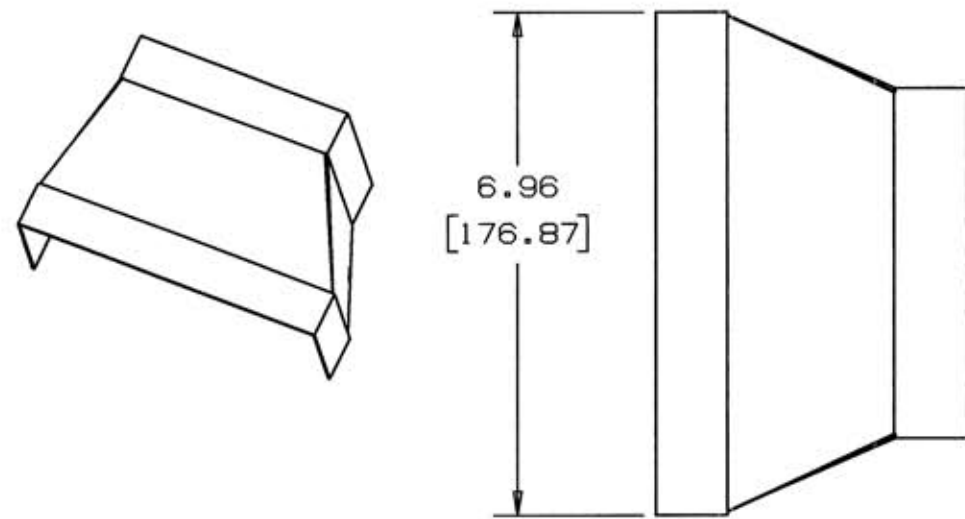
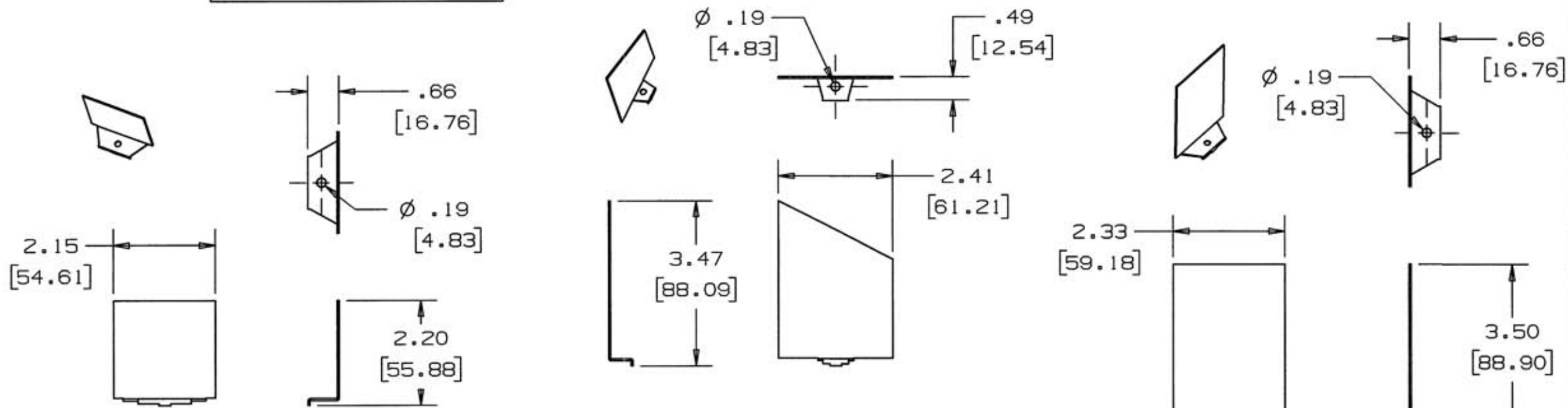


M-10423 2



TRANSITION COVER

TRANSITION BASE



BARRIER

BARRIER

BARRIER

WIREMOLD® TRANSITION FITTING	
CAT. NO.	COLOR
HBL6750TFIV	IVORY
HBL6750TFGY	GRAY

LIST OF PARTS

DESCRIPTION	MATERIAL	FINISH
TRANSITION COVER	STEEL	PAINTED
TRANSITION BASE	STEEL	PAINTED
BARRIER	STEEL	PAINTED

2	IN TITLE BLOCK ADDED HBL DCN13911 SRE	SRE	4/23/07
1	RELEASED PER DCN 13555	SRE	11/17/06
SYM	REVISIONS	APP	DATE

THE DESIGN AND DIMENSIONS OF THE PRODUCT SHOWN ON THIS DRAWING ARE SUBJECT TO CHANGE WITHOUT NOTICE

TITLE TRANSITION FITTING HBL6750 SERIES

TOLERANCES UNLESS OTHERWISE SPECIFIED FRACTIONS ± 1/64 DECIMALS ± .005 ANGLES ± 2'	WIRING DEVICE-KELLEMS HUBBELL INCORPORATED BRIDGEPORT, CT	
	DR. BY SRE	APP. BY SRE
	TR. BY	SCALE 1:1
	CHK'D BY SRE	DATE 11/17/06

NOTE: ALL DIMENSIONS IN INCHES AND [MM]