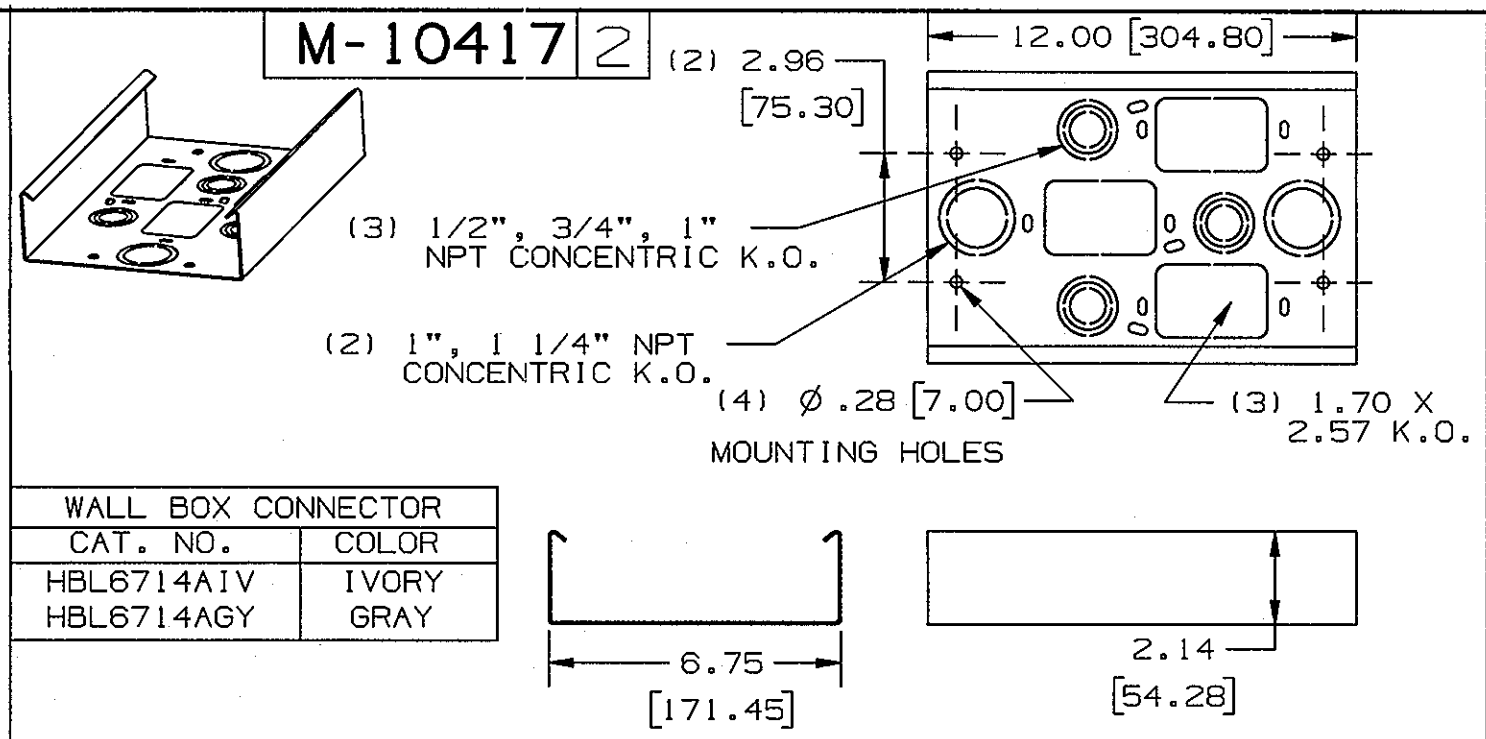
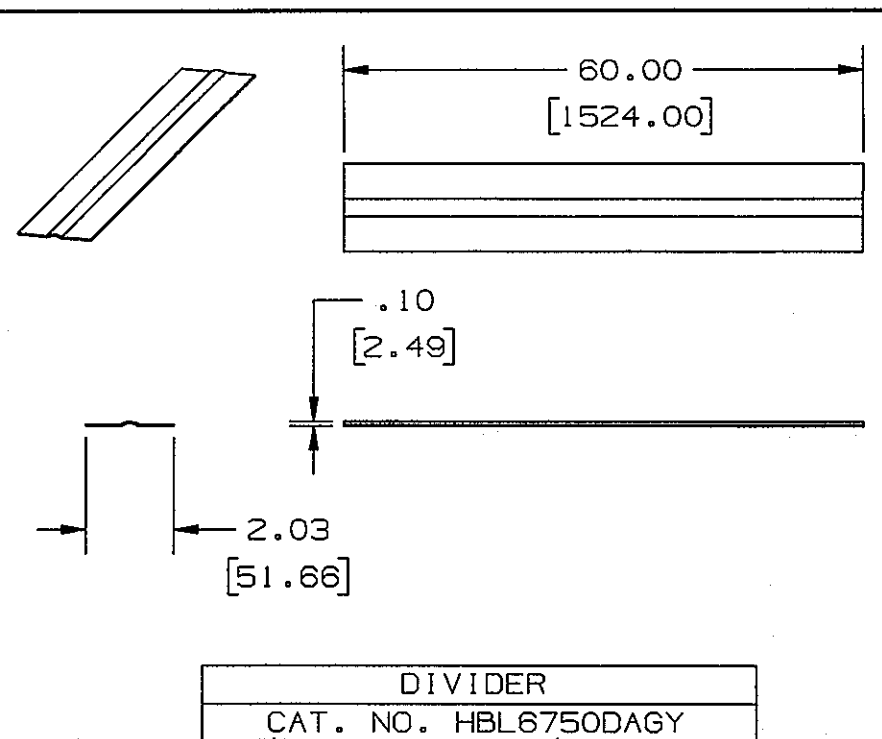


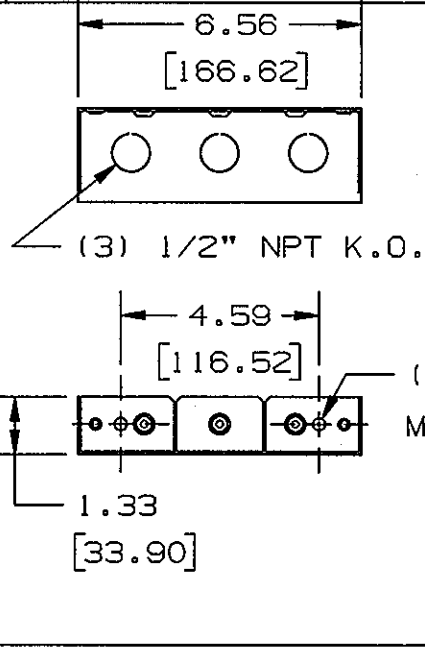
DIMENSION SHEET FOR CAT. NO. **M-10417**
 REPAIRABLE NON-REPAIRABLE



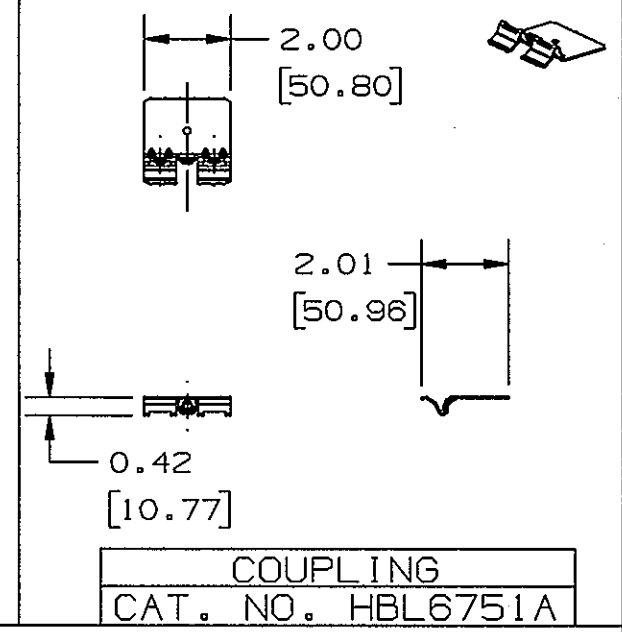
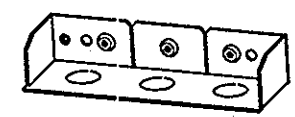
WALL BOX CONNECTOR	
CAT. NO.	COLOR
HBL6714AIV	IVORY
HBL6714AGY	GRAY

LIST OF PARTS		
DESCRIPTION	MATERIAL	FINISH
DIVIDER	STEEL	GALVANIZED
WALL BOX CONNECTOR	STEEL	PAINTED
CONNECTION COVER	STEEL	PAINTED
BLANK END FITTING	STEEL	PAINTED
COUPLING	STEEL	GALVANIZED
WIRECLIP	STEEL	GALVANIZED
DIVIDER HOLDER	STEEL	GALVANIZED
DIVIDER SUPPORT	STEEL	GALVANIZED

DIVIDER	
CAT. NO.	COLOR
HBL6750DAGY	

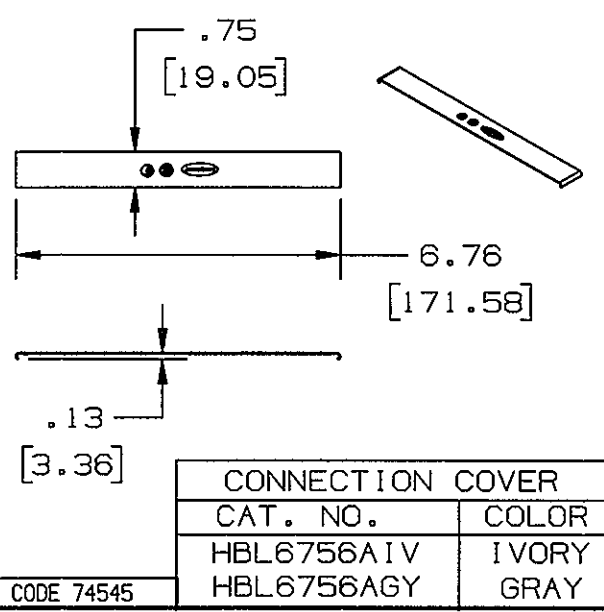


BLANK END FITTING	
CAT. NO.	COLOR
HBL6710BIV	IVORY
HBL6710BGY	GRAY



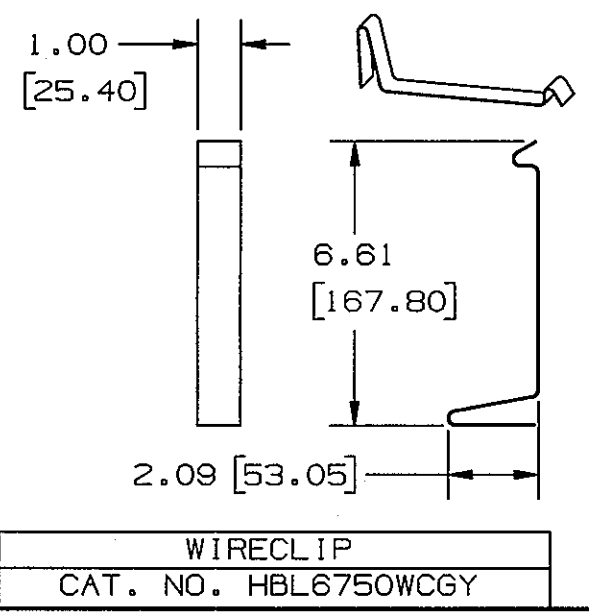
COUPLING	
CAT. NO.	COLOR
HBL6751A	

SYM	REVISIONS	APP	DATE
2	REMOVED CATS. HBL67561V AND HBL67566Y. PER DCN 19221 SPN	DJP	12/10/12
1	RELEASED PER DCN 13555	SRE	11/17/06

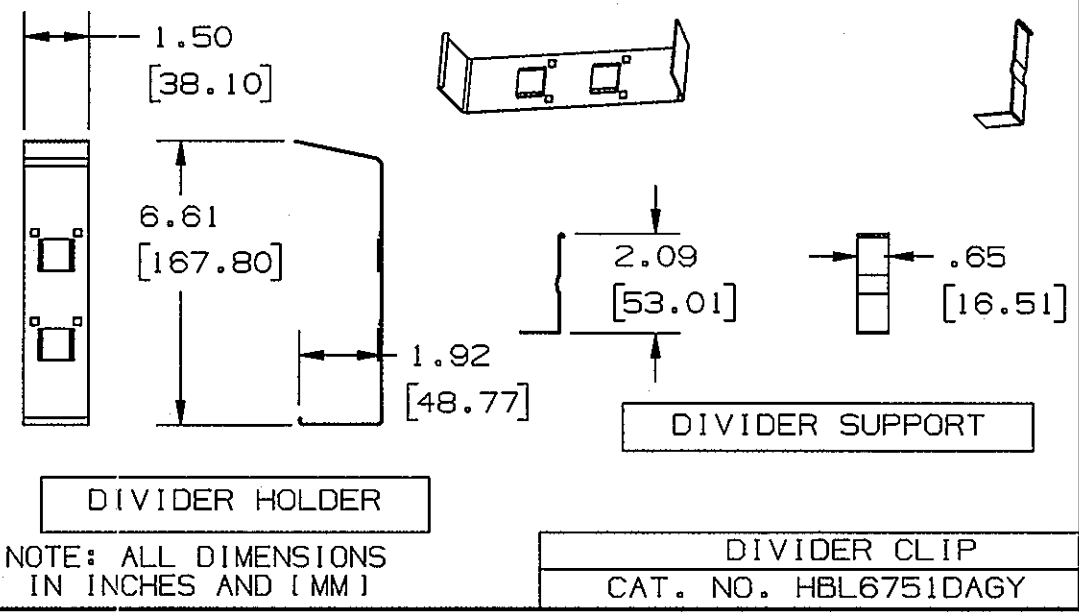


CONNECTION COVER	
CAT. NO.	COLOR
HBL6756AIV	IVORY
HBL6756AGY	GRAY

CODE 74545



WIRECLIP	
CAT. NO.	COLOR
HBL6750WCGY	



DIVIDER HOLDER	
CAT. NO.	COLOR
HBL6751DAGY	

DIVIDER CLIP	
CAT. NO.	COLOR
HBL6751DAGY	

NOTE: ALL DIMENSIONS IN INCHES AND [MM]

THE DESIGN AND DIMENSIONS OF THE PRODUCT SHOWN ON THIS DRAWING ARE SUBJECT TO CHANGE WITHOUT NOTICE

TITLE RACEWAYS MISC. HBL6750 SERIES

TOLERANCES UNLESS OTHERWISE SPECIFIED		WIRING DEVICE-KELLEMS HUBBELL INCORPORATED BRIDGEPORT, CT	
FRACTIONS	± 1/64	DR. BY	SRE
DECIMALS	± .005	TR. BY	SCALE 1:1
ANGLES	± 2°	CHK'D BY	SRE
		APP. BY	SRE
		DATE	11/17/06

M-10417
 2