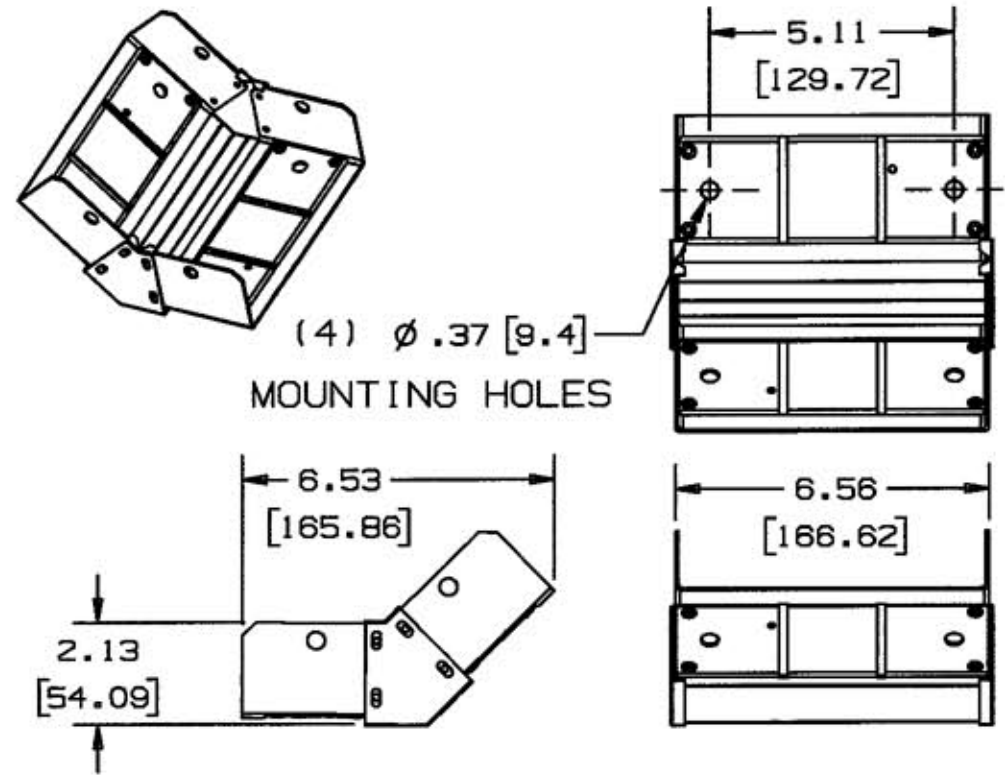
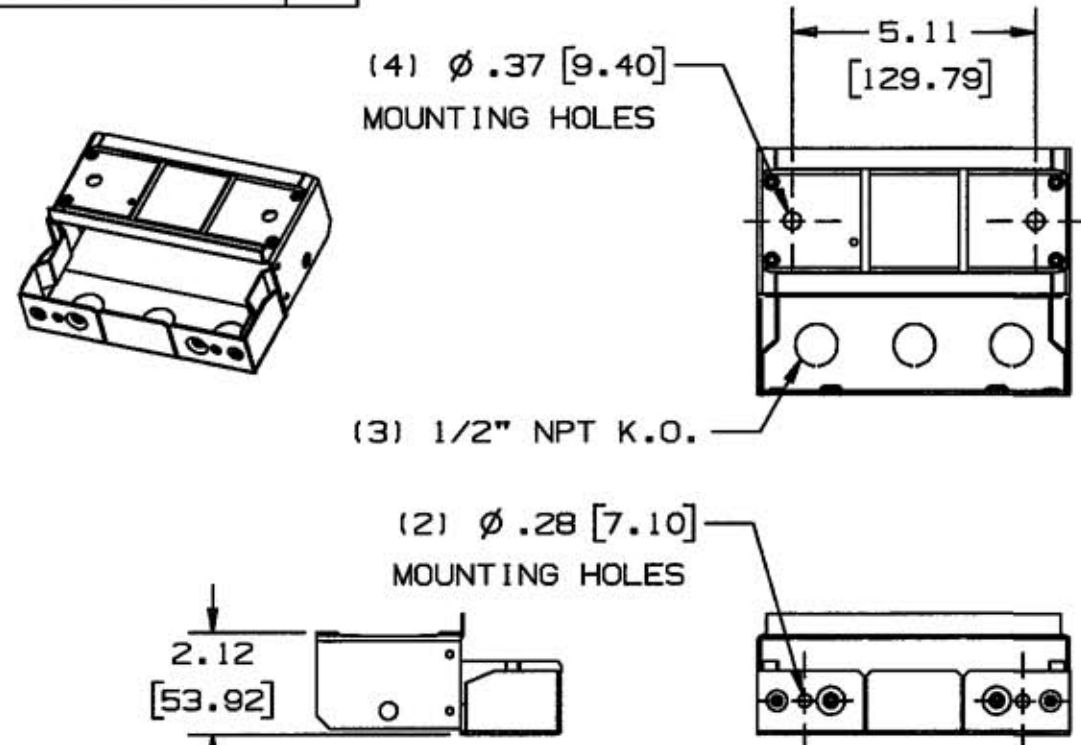


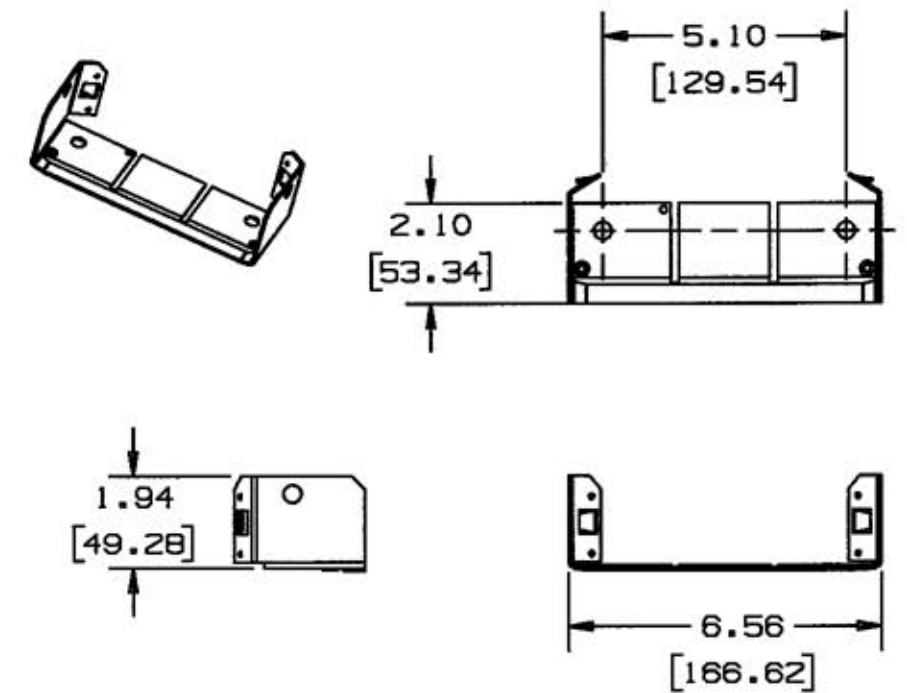
M-10415 1



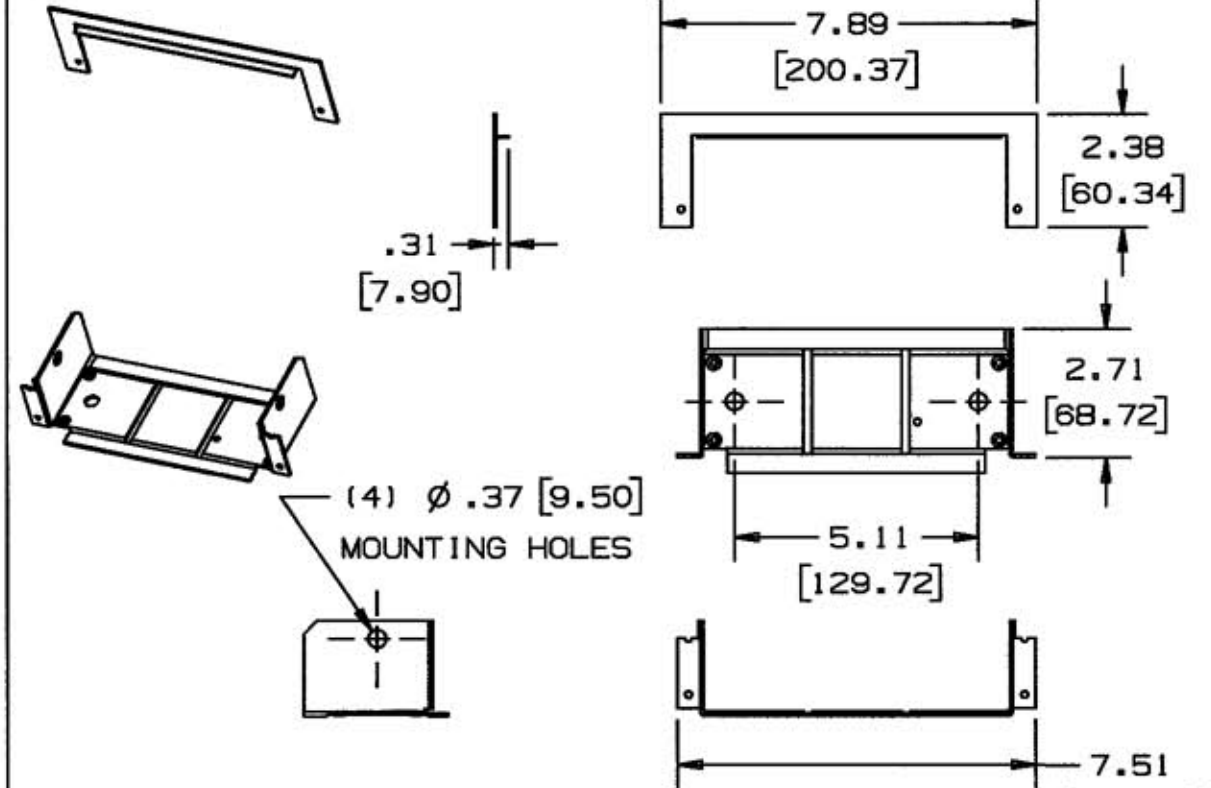
INTERNAL OR EXTERNAL 45°	
CAT. NO.	COLOR
HBL6712TXIV	IVORY
HBL6712TXGY	GRAY



INVERTED INTERNAL ELBOW	
CAT. NO.	COLOR
HBL6717NIV	IVORY
HBL6717NGY	GRAY



INTERNAL CORNER COUPLING	
CAT. NO.	COLOR
HBL6717TCAGY	GRAY



PANEL CONNECTOR	
CAT. NO.	COLOR
HBL6786IV	IVORY
HBL6786GY	GRAY

LIST OF PARTS

DESCRIPTION	MATERIAL	FINISH
INTERNAL/EXTERNAL 45°	STEEL	PAINTED
INVERTED INTERNAL ELBOW	STEEL	PAINTED
INTERNAL CORNER COUPLING	STEEL	PAINTED

I	RELEASED PER DCN 13555	11/16/06
SYM	REVISIONS	APP DATE

THE DESIGN AND DIMENSIONS OF THE PRODUCT SHOWN ON THIS DRAWING ARE SUBJECT TO CHANGE WITHOUT NOTICE

TITLE MISC. ELBOWS
HBL6750 SERIES

TOLERANCES UNLESS OTHERWISE SPECIFIED	WIRING DEVICE-KELLEMS HUBBELL INCORPORATED BRIDGEPORT, CT	
FRACTIONS ±1/64	DR. BY SRE	APP. BY <i>[Signature]</i>
DECIMALS ±.005	TR. BY <i>[Signature]</i>	SCALE 1:1
ANGLES ±2°	CHK'D BY <i>[Signature]</i>	DATE 11/16/06