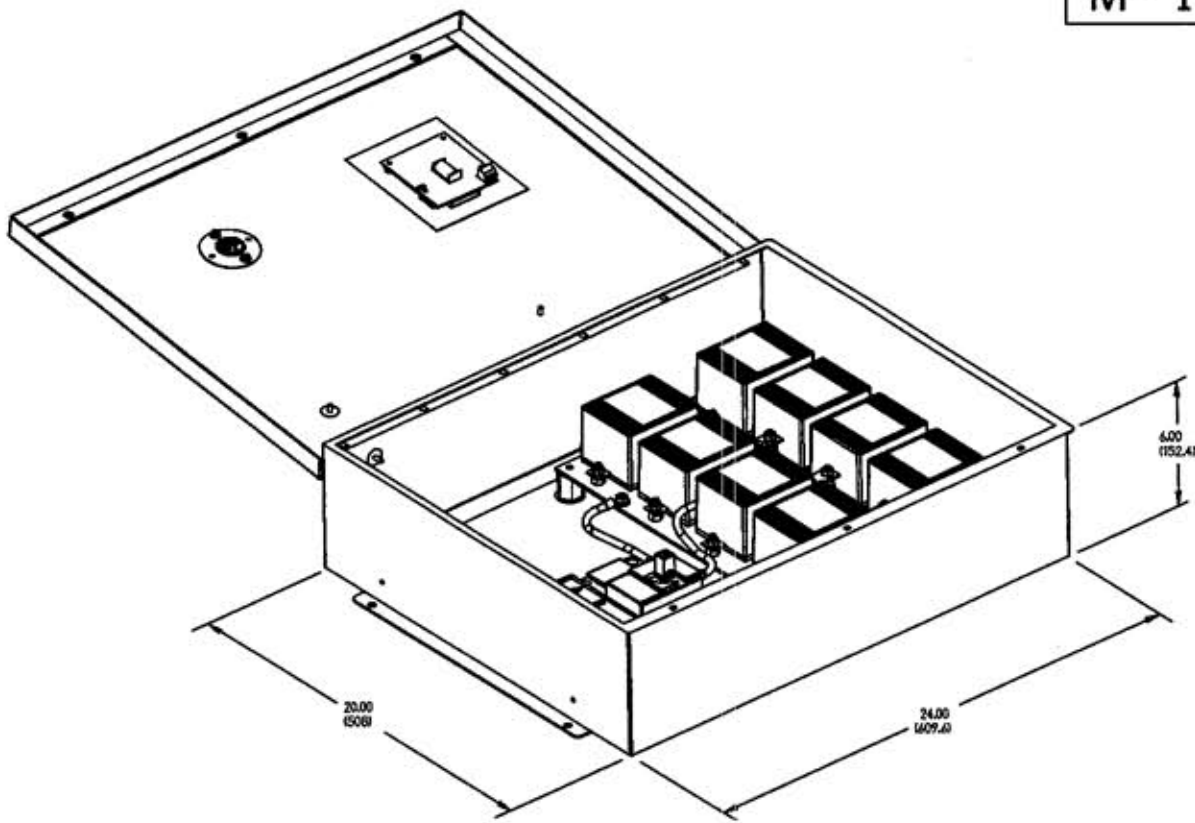
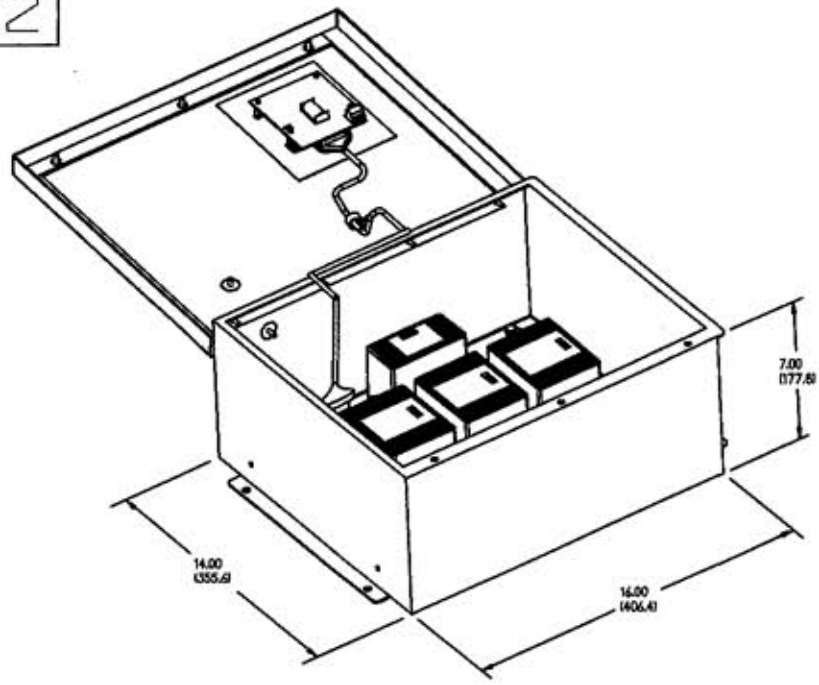


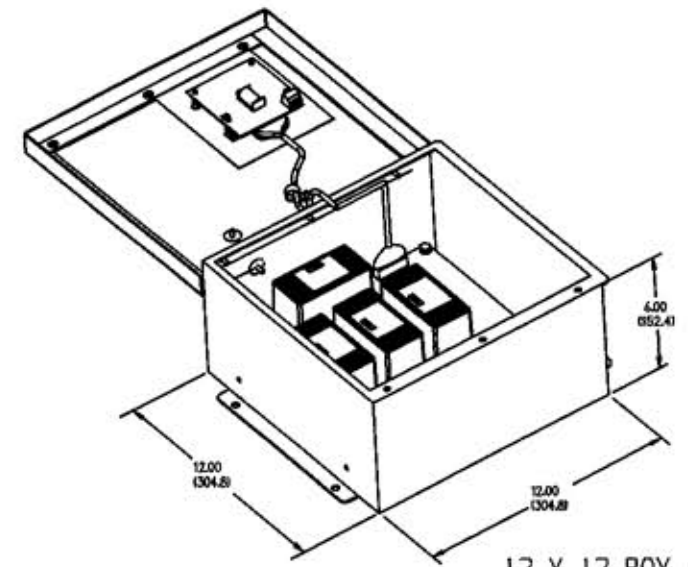
M-10562 2



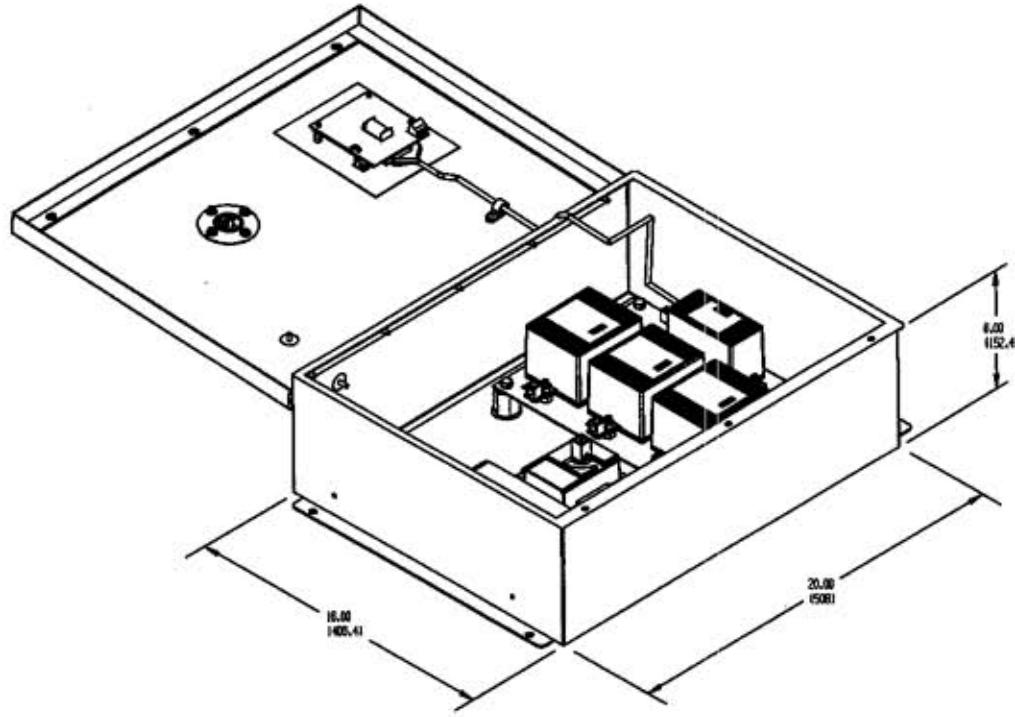
20 X 24 W/DISC BOX (DA)
WYE WITH DISCONNECT



14 X 16 BOX (A)
DELTA WITHOUT DISCONNECT



12 X 12 BOX (A)
WYE WITHOUT DISCONNECT



16 X 20 W/DISC BOX (DA)
DELTA WITH DISCONNECT

CAT. NO. W/O DISCONNECT	CAT. NO. W/ DISCONNECT	VOLTAGE, CONFIGURATION
HBL3P160A	HBL3P160DA	120/240V, 1PH WYE+G
HBL4P160A	HBL4P160DA	120/208V, 3PH WYE+G
HBL5P160A	HBL5P160DA	240V, 3PH DELTA
HBL6P160A	HBL6P160DA	240/120V, 3PH DELTA+G (HIGH LEG)
HBL7P160A	HBL7P160DA	220/380V, 3PH WYE+G
HBL8P160A	HBL8P160DA	277/480V, 3PH WYE+G
HBL9P160A	HBL9P160DA	480V, 3PH DELTA
HBL10P160A	HBL10P160DA	347/600V, 3PH WYE+G
HBL11P160A	HBL11P160DA	600V, 3PH DELTA

LIST OF PARTS		
DESCRIPTION	MATERIAL	FINISH
ENCLOSURE	STEEL	GRAY

WIRE LUG SIZE, #12 TO #2 AWG

SYMBOL	REVISIONS	APP	DATE
2	ADDED "ENCLOSURE" TO "LIST OF PARTS"; REVISED "WIRE LUG SIZE"; ADDED "DELTA WITHOUT DISCONNECT" & "WYE WITHOUT DISCONNECT" CALLOUTS PER DCN 14595 RCM	SML	2/11/08
1	INITIAL RELEASE PER DCN 13952 AMM	SML	5-14-07

THE DESIGN AND DIMENSIONS OF THE PRODUCT SHOWN ON THIS DRAWING ARE SUBJECT TO CHANGE WITHOUT NOTICE

TITLE
160K AMPS, SPD MODULAR PANEL NEMA 1 ENCLOSURE

TOLERANCES UNLESS OTHERWISE SPECIFIED
FRACTIONS ±1/64
DECIMALS ±.005
ANGLES ±2°

WIRING DEVICE-KELLEMS HUBBELL INCORPORATED BRIDGEPORT, CT
DR. BY AMM APP. BY SML
TR. BY SCALE 1:4
CHK'D BY SML DATE 5-14-07

DIMENSION SHEET FOR CAT. NO. SEE TABLE REPAIRABLE NON-REPAIRABLE B M-10562 2