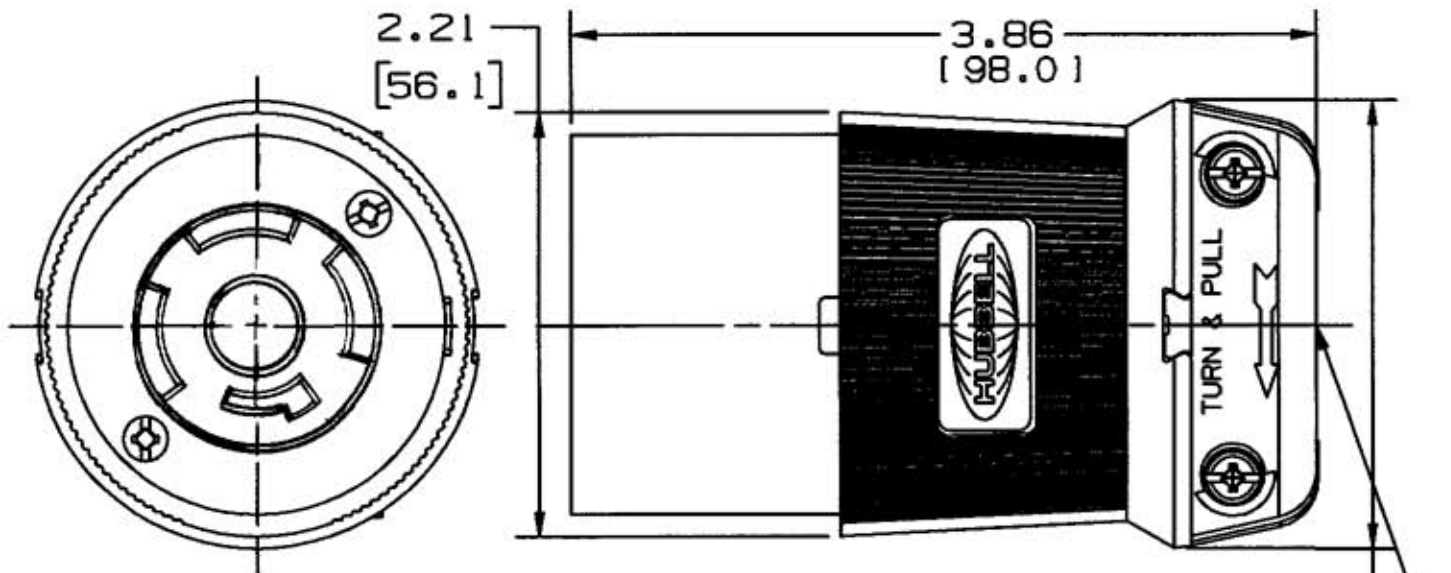
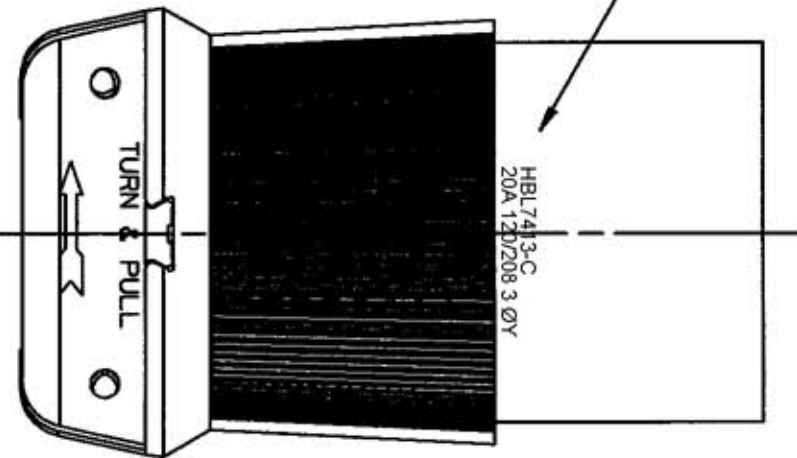




M-6169 4

CAT NO. & RATING PRINTED ON CONTACT BODY, COLOR CODE BY VOLTAGE



CORD CLAMP RANGE  
 Ø .35-1.15  
 [ 9-29 ]

LEGEND:  
 IN.  
 [ mm ]

CAT NO.	CONFIGURATION	RATING	UL
HBL7413-C	4 POLE 4 WIRE 	20A 120/208V 3ØY	YES
HBL7413-GCB	3 POLE 4 WIRE 	20A 250 VAC	NO

NOTES:

- ALL SCREWS ARE COMBINATION PHILLPS/SLOTTED/ROBERTSON HEAD.
- > INDICATES EVALUATED BY UL IN ACCORDANCE WITH IEC 309-1

LIST OF PARTS

DESCRIPTION	MATERIAL	FINISH
BODY	NYLON	NATURAL
RETAINER	POLY CARBONATE	CLEAR
CONTACT SPRINGS	.031 BRASS	
WIRE CLAMPS	.080 C.R.S.	NICKEL PLATE
TERMINAL SCREWS	BRASS	**
COVER	NYLON	BLACK
CORD CLAMP	NYLON	NATURAL

\*\* WHITE- NEUTRAL  
 GREEN- GROUND  
 BRASS- LINE

SYM	REVISIONS	APP	DATE
4	UPDATED VIEWS, RETAINER MAT. POLY. WAS LEXAN PER DCN 8996 MYA	CJC	10/15/01
3	ADDED ROBERTSON TO NOTE; REVISED SCREW TO TRI-DRIVE PER DCN 7553 RCM		5/26/00
2	NUMEROUS CHANGES, SEE RECORD PRINT PER DCN 4114. DJG	JZ	6-13-96
1	7413-GCB WAS 7413-GC; 20A-250VAC WAS 20A 250V 1Ø 600VAC PER DCN 2791	MMR	8-30-94

THE DESIGN AND DIMENSIONS OF THE PRODUCT SHOWN ON THIS DRAWING ARE SUBJECT TO CHANGE WITHOUT NOTICE

TITLE  
 20A TWIST-LOCK CONNECTORS  
 NON-NEMA

TOLERANCES UNLESS OTHERWISE SPECIFIED		WIRING DEVICE-KELLEMS HUBBELL INCORPORATED BRIDGEPORT, CT	
FRACTIONS	± 1/64	DR. BY	J.R. APP. BY
DECIMALS	± .005	TR. BY	SCALE FULL
ANGLES	± 2'	CHK'D BY	DATE 4/9/79

DIMENSION SHEET FOR CAT. NO. SEE TABLE  
 REPAIRABLE  NON-REPAIRABLE   
 B  
 M-6169  
 4