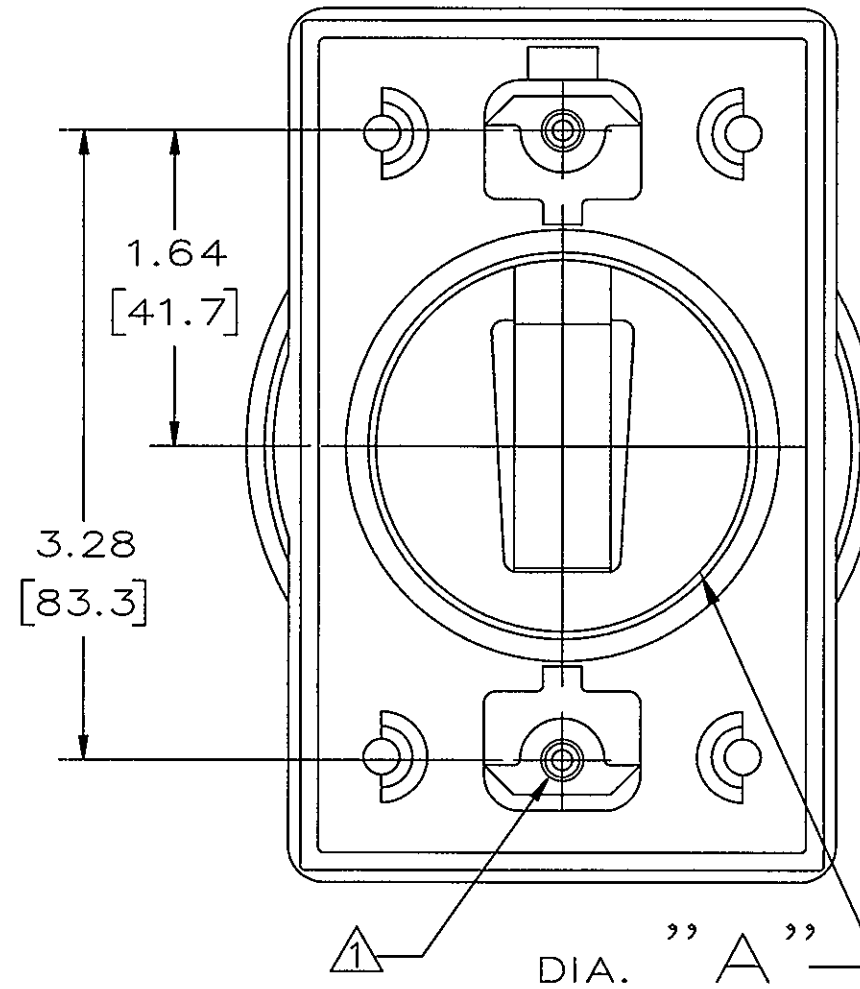
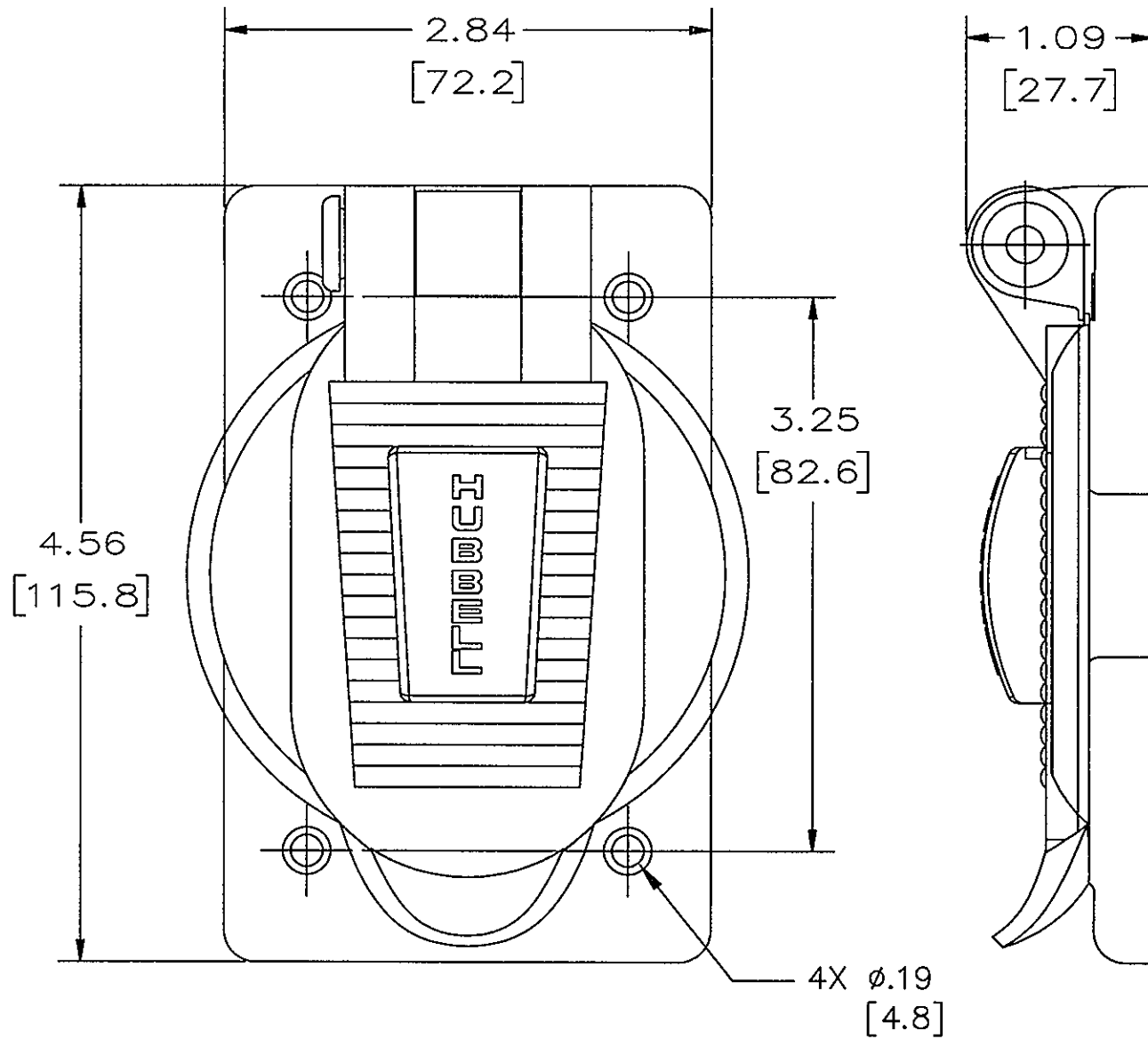


M-5896 4



CAT. NO.	COLOR	DIA. "A"
HBL7423WO	GRAY	1.41 (35.7)
HBL74CM23WO	YELLOW	1.41 (35.7)
HBL7424WO	GRAY	1.73 (43.9)
HBL74CM24WO	YELLOW	1.73 (43.9)
HBL7425WOA	GRAY	1.94 (49.3)
HBL74CM25WOA	YELLOW	1.94 (49.3)
HBL7428WOG	GRAY	1.94 (49.3)
HBL7428WOY	YELLOW	1.94 (49.3)
HBL7428WOR	RED	1.94 (49.3)

NOTES: UNLESS OTHERWISE SPECIFIED

- 1. HBL7428WO CAT. NO.'S HAVE (2) #6-32 THREADED INSERTS IN INDICATED AREA TO MOUNT DEVICE TO PLATE, A GROUNDING LABEL & A CSA LABEL.
- 2. ENCLOSURE TYPE 3R SUITABLE FOR WET AND DAMP LOCATIONS.
- 3. ALL DIMENSIONS IN INCHES (mm).
- 4. ALL TOLERANCES ±.03 (.8)

LIST OF PARTS

DESCRIPTION	MATERIAL	FINISH
COVER	LEXAN	SEE CHART
FLAP	LEXAN	SEE CHART
COVER GASKET	NEOPRENE	NOT SHOWN
SEAL	TPE	
SPRING	STAINLESS ST.	
HINGE	STAINLESS ST.	
INSERT	BRASS	
LABEL, GROUND	POLYESTER	
LABEL, CSA	MYLAR	

SYM	REVISIONS	APP	DATE
4	REDRAWN ON CAD. TABLE ADDED "HBL" TO CAT'S AND (43.9) WAS (35.9). DIM. 2.84 (72.2) WAS 2.84 (46.7) CROSSED OUT TOLERANCE BLOCK. PER DCN 18978 SPN	DJP	7/31/12

REPAIRABLE NON-REPAIRABLE

THE DESIGN AND DIMENSIONS OF THE PRODUCT SHOWN ON THIS DRAWING ARE SUBJECT TO CHANGE WITHOUT NOTICE

TITLE WEATHERPROOF LIFT COVER PLATE FOR SINGLE RECEPTACLES

TOLERANCES UNLESS OTHERWISE SPECIFIED		WIRING DEVICE-KELLEMS HUBBELL INCORPORATED SHELTON, CT	
.XX = ±.01	.XXX = ±.005	DR. BY KF	APP. BY
ANGLES = ±2°		TR. BY SPN	SCALE 1:1
		CHK. BY	DATE 5/6/76