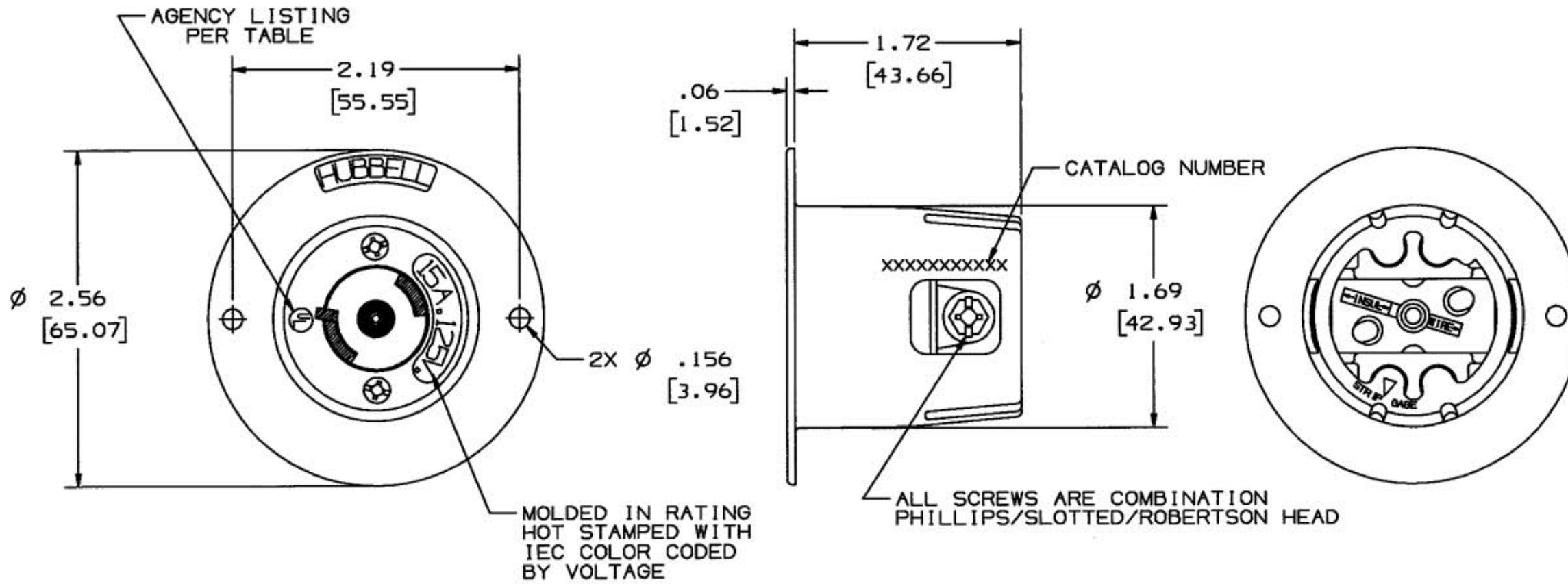


M-7287 4



| CAT. NO. | CONFIGURATION | RATING | IEC RATING COLOR | U.L. | C.S.A. |
|----------|---------------|------------|------------------|------|--------|
| HBL7524C | NEMA L1-15P | 15A. 125V. | YELLOW | YES | NO |
| HBL8815C | NEMA L2-20P | 20A. 250V. | BLUE | YES | NO |

| LIST OF PARTS | | |
|-----------------------|---------------|-----------|
| DESCRIPTION | MATERIAL | FINISH |
| BLADE HOLDER | NYLON | NATURAL |
| RETAINER SHELL | POLYCARBONATE | CLEAR |
| CASING | NYLON | NATURAL |
| WIRE CLAMPS | .062 CRS | NICKEL PL |
| CONTACT BLADES | .060 BRASS | * |
| BINDING SCREWS | BRASS | * |
| TRI-DRIVE MTG. SCREWS | BRASS | NICKEL PL |
| ASSEM FASTENERS | STEEL | ZINC PL |

* WHITE FINISH ON NEUTRAL PARTS

| | | | |
|-----|---|------|----------|
| 4 | REVISED VIEWS & CALLOUTS OF SCREWS TO TRI-DRIVE; IN "LIST OF PARTS": "TRI-DRIVE" WAS "COMBINATION" PER DCN #11421 RCM | DVB | 1/27/04 |
| 3 | IN LIST OF PARTS, "POLYCARBONATE WAS "LEXAN"; PER DCN #8896. JMN | CJC | 2/18/02 |
| 2 | 11/2/00 REMOVED "CSA" FROM FRONT VIEW, REMOVED "CAUTION" INFO FROM SIDE VIEW. IN TABLE, C.S.A. WAS "YES" PER DCN 8100 SPN | ZIMM | 11/16/00 |
| 1 | "X" REMOVED PER DCN #3255 JMN | ZIMM | 2/13/95 |
| SYM | REVISIONS | APP | DATE |

THE DESIGN AND DIMENSIONS OF THE PRODUCT SHOWN ON THIS DRAWING ARE SUBJECT TO CHANGE WITHOUT NOTICE

TITLE INSULGRIP 2 POLE 2 WIRE NON-GROUNDING TWIST-LOCK FLANGED INLETS

| | | |
|---------------------------------------|---|---------------------|
| TOLERANCES UNLESS OTHERWISE SPECIFIED | WIRING DEVICE-KELLEMS HUBBELL INCORPORATED BRIDGEPORT, CT | |
| FRACTIONS ± 1/64 | DR. BY JMN | APP. BY ZIMM |
| DECIMALS ± .005 | TR. BY | SCALE $\frac{1}{2}$ |
| ANGLES ± 2° | CHK'D BY ZIMM | DATE 2/13/95 |