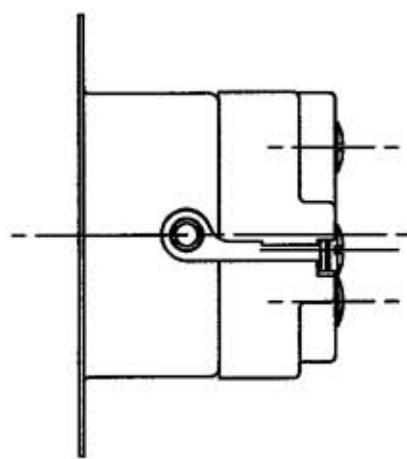
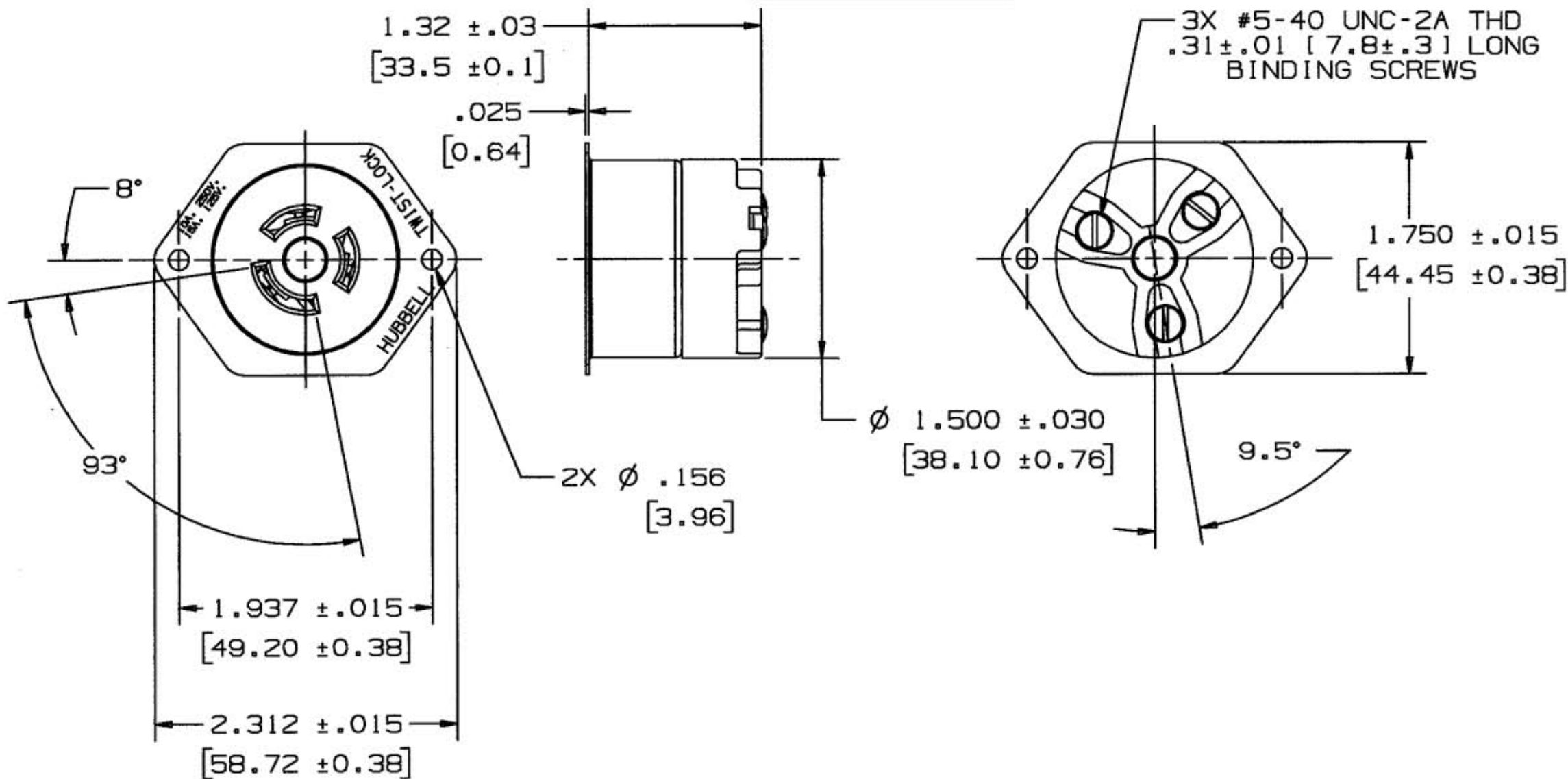


M-17715



NOTES:

- 1) DIMENSIONS ARE: INCHES [MM]

LIST OF PARTS

DESCRIPTION	MATERIAL	FINISH
BODY	PHENOLIC	
BASE	PHENOLIC	
CASING	ST. STEEL	
(3) CONTACT SPRINGS	BRONZE	(2) BRASS PLATED
(3) BINDING SCREWS	BRASS	
RIVET	BRASS	
(3) INSERTS	BRASS	
(3) WASHERS	BRASS	
(2) MOUNTING SCREWS IN CELLOPHANE ENVELOPE	BRASS	NICKEL PLATE

SYM	REVISIONS	APP	DATE
5	REDRAWN ON CAD WITH CHANGES USING PARAMETRIC MODEL. "B" SIZE FORMAT WAS "A" SIZE. DECIMAL DIMENSIONS WERE FRACTIONAL; ADDED METRIC DIMENSIONS. ADDED "HBL" PREFIX TO CAT. #'S 7557 & 7557G. RE-ORIENTED VIEWS & ADDED VIEW SHOWING CAT. #HBL7557G. PART DESCRIPTIONS, MATERIALS, & FINISHES ADDED TO LIST OF PARTS. .31 ± .01 LENGTH OF #5-40 SCREWS WAS 1/4. PER DCN #12948. JMN PJB	PJB	3/13/06

THE DESIGN AND DIMENSIONS OF THE PRODUCT SHOWN ON THIS DRAWING ARE SUBJECT TO CHANGE WITHOUT NOTICE

TITLE  
TWIST-LOCK  
FLANGED RECEPTACLE

TOLERANCES UNLESS OTHERWISE SPECIFIED  
FRACTIONS ± 1/64  
DECIMALS ± .005  
ANGLES ± 2°

WIRING DEVICE-KELLEMS  
HUBBELL INCORPORATED  
BRIDGEPORT, CT  
DR. BY HK APP. BY PJB  
TR. BY JMN SCALE 1:1  
CHK'D BY PJB DATE 3/13/06