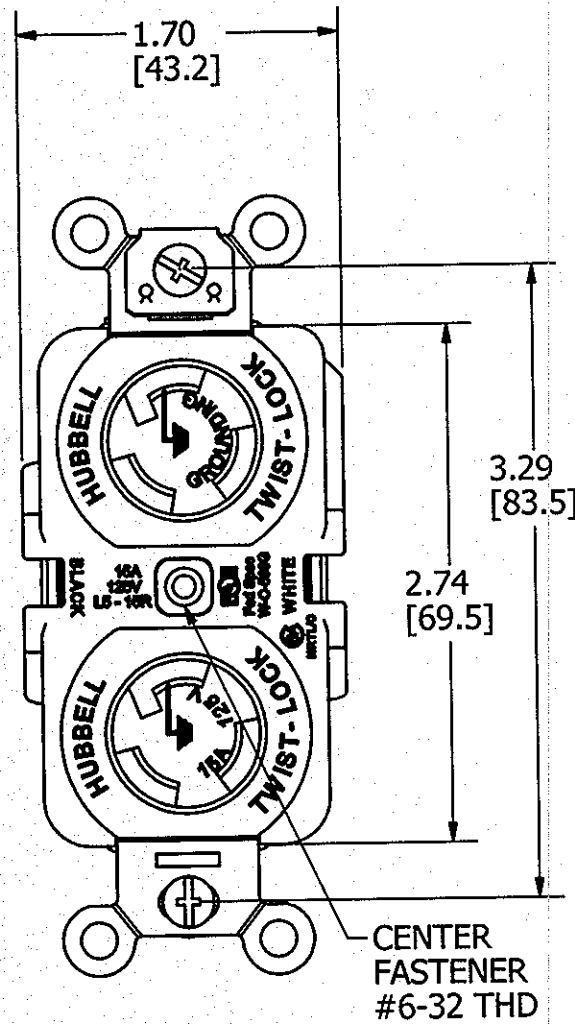
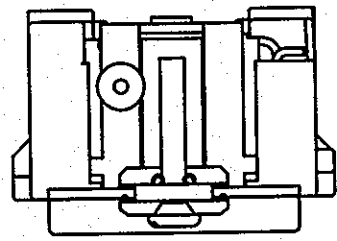
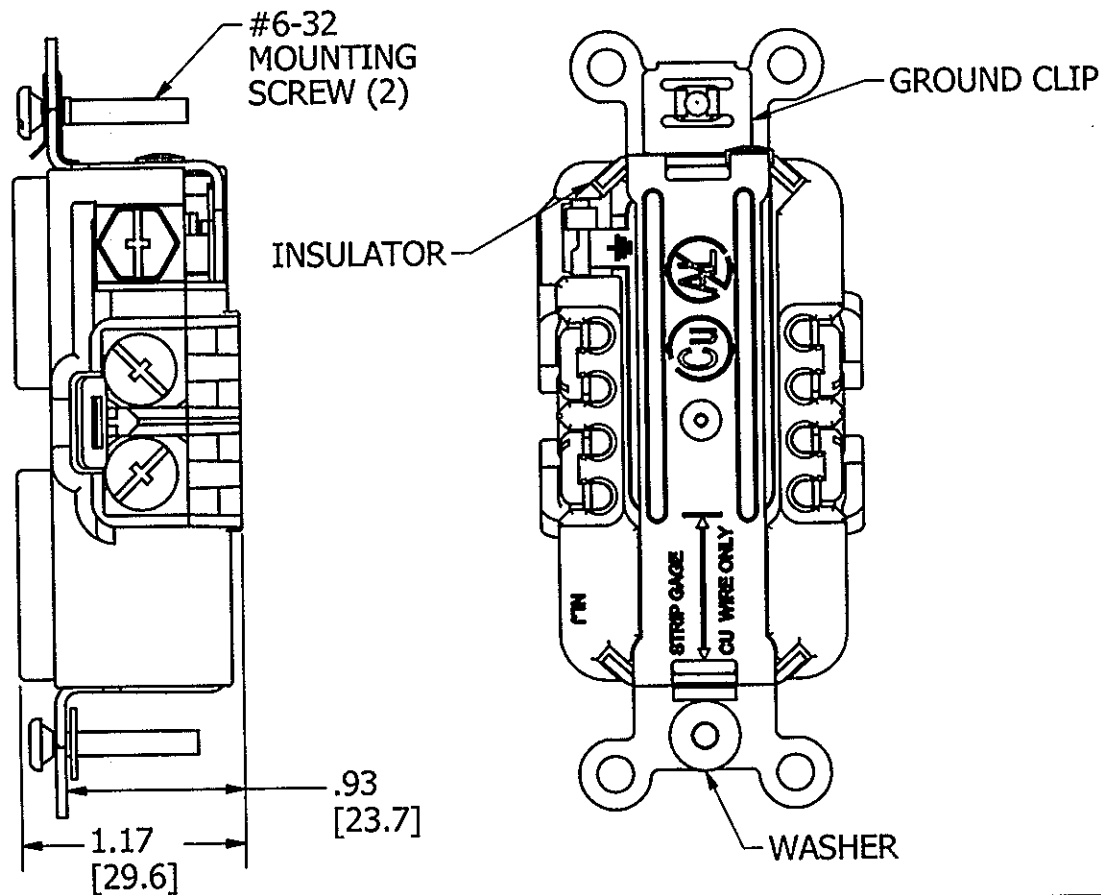


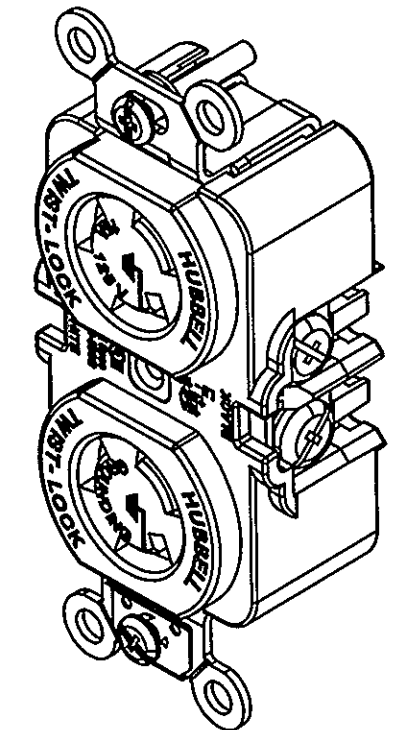
*CATALOG NUMBER	*NEMA CONFIG	COMPONENT USAGE AND MATERIAL														
		*BODY BASE	*LINE CONTACTS	*LINE CONTACT SCREW RIGHT	*LINE CONTACT SCREW LEFT	*LINE CONTACT WIRE NUT	*CENTER CONTACT	*CENTER CONTACT SCREW	*CENTER CONTACT WIRE CLAMP	BRIDGE	*GROUND CLIP	WASHER	*MOUNTING SCREWS	*BLIND RIVET	*CENTER FASTENER	INSULATOR
*HBL4700 HBL4700I HBL4700CN HBL4700CN*	L5-15	PET	BRASS	BRASS	*NICKEL PLATED BRASS*	*NICKEL PLATED STEEL*	BRASS	*GREEN COLORED BRASS*	BRASS	BRASS	*ST STEEL*	FIBER	*ZINC PLATED STEEL*	*ST STEEL*	BRONZE	NONE
HBL4700RT	L5-15	PET	BRASS	BRASS	BRASS	---	BRASS	BRASS	---	BRASS	ST STEEL	FIBER	*ZINC PLATED STEEL*	ST STEEL	BRONZE	NONE
*IG4700A IG4700ACN*	L5-15	PET	BRASS	BRASS	*NICKEL PLATED BRASS*	*NICKEL PLATED STEEL*	BRASS	*GREEN COLORED BRASS*	BRASS	BRASS	*ST STEEL*	FIBER	*ZINC PLATED STEEL*	NONE	BRONZE	*GLASS FILLED PHENOLIC*
HBL4550	L6-15	PET	BRASS	BRASS	BRASS	*NICKEL PLATED STEEL*	BRASS	*GREEN COLORED BRASS*	BRASS	BRASS	*ST STEEL*	FIBER	*ZINC PLATED STEEL*	*ST STEEL*	BRONZE	NONE
HBL4550RT	L5-15	PET	BRASS	BRASS	BRASS	---	BRASS	BRASS	---	BRASS	ST STEEL	FIBER	*ZINC PLATED STEEL*	ST STEEL	BRONZE	NONE
IG4550A	L6-15	PET	BRASS	BRASS	BRASS	*NICKEL PLATED STEEL*	BRASS	*GREEN COLORED BRASS*	BRASS	BRASS	*ST STEEL*	FIBER	*ZINC PLATED STEEL*	NONE	BRONZE	*GLASS FILLED PHENOLIC*
HBL4750	L7-15	PET	BRASS	BRASS	*NICKEL PLATED BRASS*	*NICKEL PLATED STEEL*	BRASS	*GREEN COLORED BRASS*	BRASS	BRASS	NONE	FIBER	*ZINC PLATED STEEL*	*ST STEEL*	BRONZE	NONE
HBL47CM00	L5-15	PET	*NICKEL PLATED BRASS*	BRONZE	*NICKEL PLATED BRASS*	*NICKEL PLATED BRASS*	*NICKEL PLATED BRASS*	*GREEN COLORED BRASS*	*NICKEL PLATED BRASS*	*NICKEL PLATED BRASS*	NONE	FIBER	*ST STEEL*	*ST STEEL*	BRONZE	NONE
HBL7580G	N/A	PET	BRASS	BRASS	*COPPER PLATED BRASS*	*NICKEL PLATED STEEL*	BRASS	*GREEN COLORED BRASS*	BRASS	BRASS	*ST STEEL*	FIBER	*ZINC PLATED STEEL*	*ST STEEL*	BRONZE	NONE
HBL7580	N/A	PET	BRASS	BRASS	*COPPER PLATED BRASS*	*NICKEL PLATED STEEL*	BRASS	BRASS	BRASS	BRASS	NONE	NONE	*ZINC PLATED STEEL*	NONE	BRONZE	*GLASS FILLED PHENOLIC*



CODE 74545



- NOTES:
1. DIMENSIONS ARE IN INCHES [mm].
  2. CATALOG NUMBERS WITH SUFFIX "RT" ARE CSA CERTIFIED AND UL RECOGNIZED FOR USE WITH RING TERMINALS OR SIDE WIRED.
  3. CATALOG NUMBERS WITH SUFFIX "RT" HAVE SCREWS THAT ARE PACKED SEPARATELY IN POLYBAG.



**CATALOG NO. HBL4700  
(NOT SHOWN TO SCALE)**

6	REDRAWN WITH EMBEDDED CAD MODEL WITH NO CHANGES TO PART GEOMETRY. PER DCN 21895 SPN	DJP	2/5/16
REV	DESCRIPTION	APP	DATE

THE DESIGN AND DIMENSIONS OF THE PRODUCT SHOWN ON THIS DRAWING ARE SUBJECT TO CHANGE WITHOUT NOTICE

TITLE  
**TWIST-LOCK DUPLEX RECEPTACLE**

TOLERANCES UNLESS OTHERWISE SPECIFIED .XX = ± .01 .XXX = ± .005 ANGLES = ± 2°	WIRING DEVICE-KELLEMS HUBBELL INCORPORATED SHELTON, CT			
	DR. BY	PJT	APP. BY	MJL
	TR. BY		SCALE	1:1
	CHK. BY	ROK	DATE	11/97

DIMENSION SHEET FOR CAT. NO. SEE TABLE

REPAIRABLE  NON-REPAIRABLE

**B**

M-7720

6