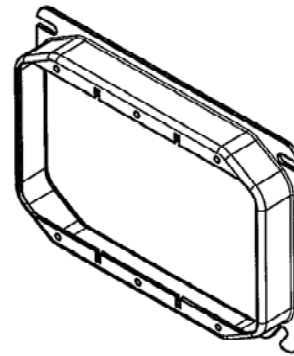
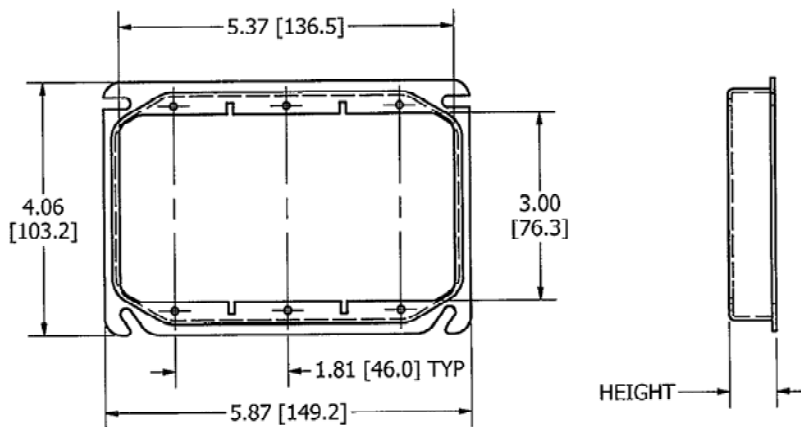


M-12288 1



HBL793 SHOWN

- NOTES:
 1. ALL DIMENSIONS ARE IN INCHES AND [MILLIMETERS].
 2. ACCEPTS HBL981 VOLTAGE PARTITION, SOLD SEPARATELY.
 3. cULus LISTED.

CAT. NO.	DESCRIPTION	HEIGHT	VOLUME
HBL792	3 GANG RAISED DEVICE COVER FOR HBL263, 1/2" WALL	.63 [15.9]	10.1 IN ³ [165 CM ³]
HBL793	3 GANG RAISED DEVICE COVER FOR HBL263, 5/8" WALL	.75 [19.1]	12.3 IN ³ [200 CM ³]
HBL794	3 GANG RAISED DEVICE COVER FOR HBL263, 1-1/4" WALL	1.38 [34.9]	24.3 IN ³ [398 CM ³]

LIST OF PARTS

DESCRIPTION	MATERIAL	FINISH
COVER	STEEL	GALVANIZED

1	INITIAL RELEASE DCN19068	SBW	10/12/12
SYM	DESCRIPTION	APP	DATE

THE DESIGN AND DIMENSIONS OF THE PRODUCT SHOWN ON THIS DRAWING ARE SUBJECT TO CHANGE WITHOUT NOTICE

TITLE
 3 GANG RAISED DEVICE COVERS FOR USE WITH HBL263 WALL BOX

TOLERANCES UNLESS OTHERWISE SPECIFIED .XX = ± .01 .XXX = ± .005 ANGLES = ± 2°	WIRING DEVICE-KELLEMS HUBBELL INCORPORATED SHELTON, CT.			
	DR. BY	SBW	APP. BY	SM
	TR. BY	SCALE		1/2
	CHK'D BY	DATE		10/12/2012

DIMENSION SHEET FOR CAT. NO. M-12288
 REPAIRABLE NON-REPAIRABLE B
 M-12288
 1