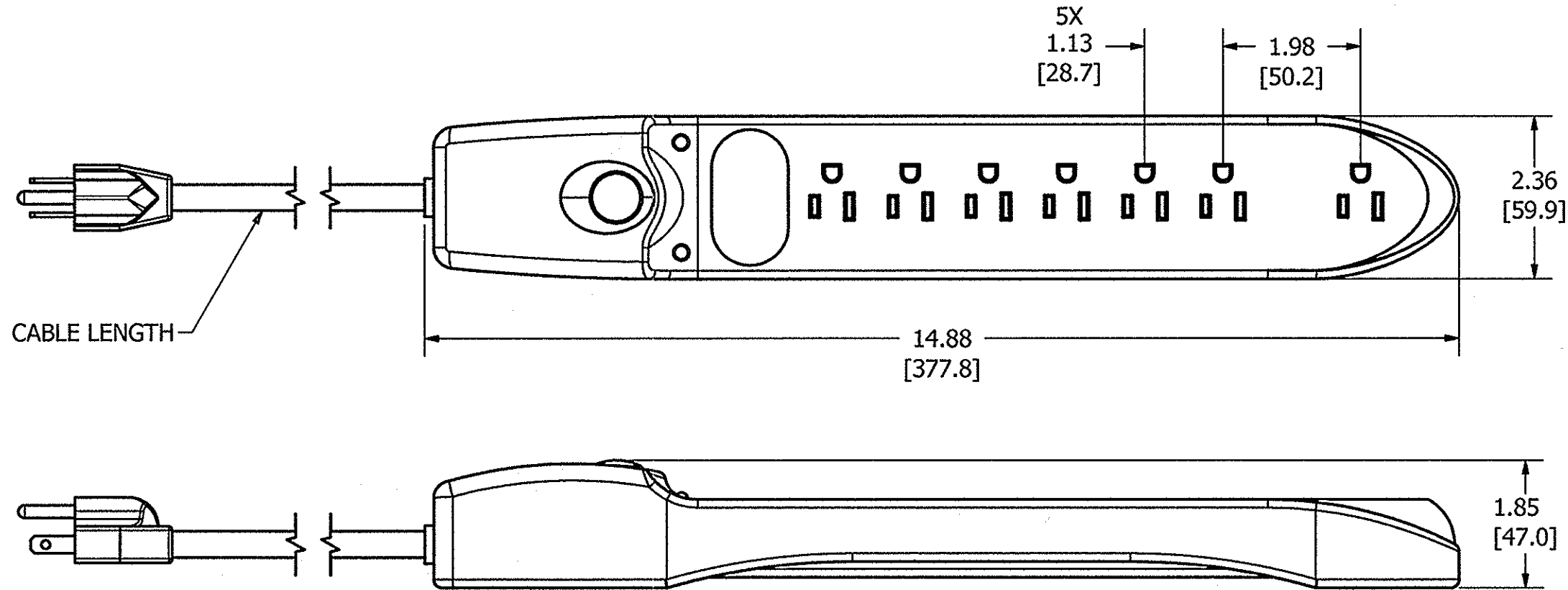


M-12093 1



CATALOG NO. HBL7PS1050A SHOWN

HUBBELL CAT. NO.	HBL7PS1050A	HBL7PS105015A	HBL7PS1050MA
CABLE LENGTH	6FT	15FT	6FT
RJ11 PHONE/DATA PROTECTION (350V)	NONE	NONE	RJ11 1 IN, 1 OUT

NOTES:

ALL DIMENSIONS ARE IN INCHES [mm]  
 MEETS UL STANDARD 1449 3RD EDITION  
 ELECTRICAL RATING: 15A, 125V, 1875W  
 VOLTAGE PROTECTION RATING (VPR): 400V (L-N, L-G, N-G)  
 MAXIMUM CONTINUOUS OVER VOLTAGE (MCOV): 127V  
 NOMINAL DISCHARGE CURRENT (In): 3kA  
 SURGE ENERGY RATING: 1050J  
 MAXIMUM SURGE CURRENT RATING: 19,500A  
 EMI/RFI NOISE FILTER (150khz - 30 Mhz): UP TO 20dB  
 ALL POWER TAPS EQUIPPED AS FOLLOWS:  
 LIGHTED PUSHBUTTON ON/OFF MASTER SWITCH WITH BUILT-IN CIRCUIT BREAKER  
 TAMPER RESISTANT OUTLETS, PROTECTION LED INDICATOR

LIST OF PARTS

DESCRIPTION	MATERIAL	FINISH
HOUSING	ABS	OFF WHITE

DIMENSION SHEET FOR CAT. NO. SEE TABLE

REPAIRABLE  NON-REPAIRABLE

1	RELEASED PER DCN18355	SBW	9/19/11
SYM	DESCRIPTION	APPRO	DATE

THE DESIGN AND DIMENSIONS OF THE PRODUCT SHOWN ON THIS DRAWING ARE SUBJECT TO CHANGE WITHOUT NOTICE

TITLE SURGE PROTECTIVE DEVICE, SEVEN OUTLET RELOCATABLE POWER TAP

TOLERANCES UNLESS OTHERWISE SPECIFIED		WIRING DEVICE-KELLEMS HUBBELL INCORPORATED SHELTON, CT	
FRACTIONS	±1/64	DR. BY	SBW APP. BY [Signature]
DECIMALS	±.005	TR. BY	SCALE 1:2
ANGLES	±2°	CHK'D BY	DATE 9/19/2011

B M-12093