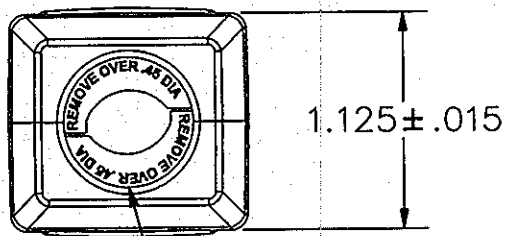
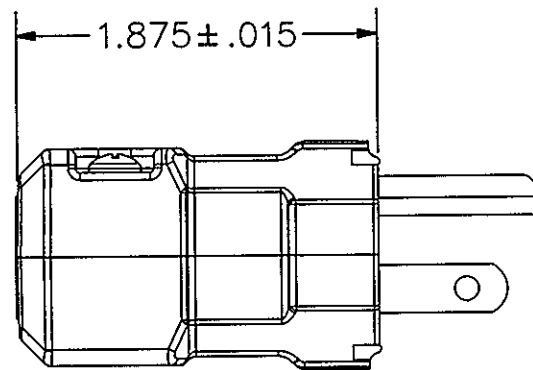
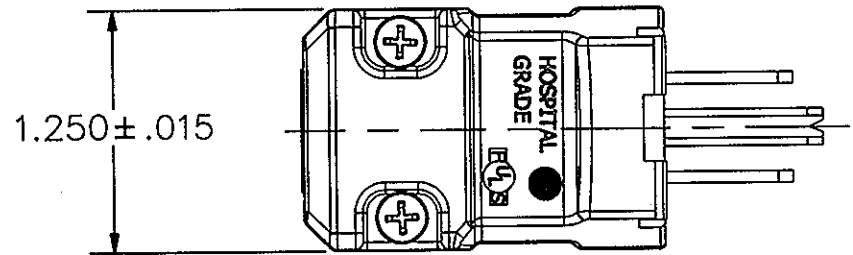
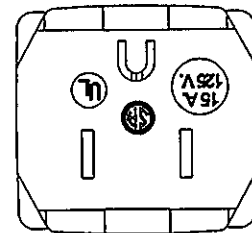


M-5890 5



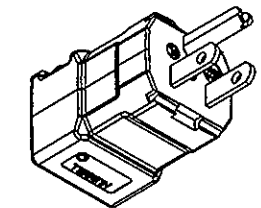
CORD CLAMP RANGES
Ø.219 - .453 WITH INSERTS
AND .453-.656 WITHOUT INSERTS



- NOTES:
1. DIMENSIONS ARE IN INCHES [mm].
2. ALL SCREWS ARE COMBINATION
PHILLIPS/SLOTTED/ROBERTSON HEAD.

LIST OF PARTS

DESCRIPTION	MATERIAL	FINISH
HOUSING	NYLON	WHITE
CONTACT BLADE	BRASS	
TERM. SCREW	STAIN ST.	1-WHITE
GR. CONTACT BLADE	BRASS	
HEX. HD. TERM. SCREW	STAIN ST.	GREEN
CORD CLAMP SCREW	STEEL	ZINC PLATED
INSERT	PPHOX	BLACK



**CATALOG NO. HBL8115V
(NOT SHOWN TO SCALE)**

5	REDRAWN WITH EMBEDDED CAD MODEL WITH NO CHANGES TO PART GEOMETRY. PER DCN 21895 SPN	DJP	2/5/16
REV	DESCRIPTION	APP	DATE

THE DESIGN AND DIMENSIONS OF THE PRODUCT SHOWN ON THIS DRAWING ARE SUBJECT TO CHANGE WITHOUT NOTICE

TITLE
HOSPITAL GRADE, 15A, 125V,
3-WIRE DEAD FRONT VALISE
PLUG

TOLERANCES UNLESS OTHERWISE SPECIFIED .XX = ± .01 .XXX = ± .005 ANGLES = ± 2'	WIRING DEVICE-KELLEMS HUBBELL INCORPORATED SHELTON, CT	
	DR. BY AJL	APP. BY
	TR. BY	SCALE 1:1
	CHK. BY	DATE 4/23/76

DIMENSION SHEET FOR CAT. NO. HBL8115V
 REPAIRABLE NON-REPAIRABLE **B**
 M-5890
 5