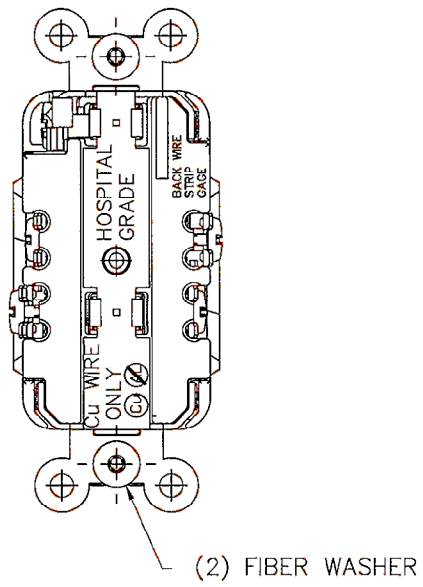
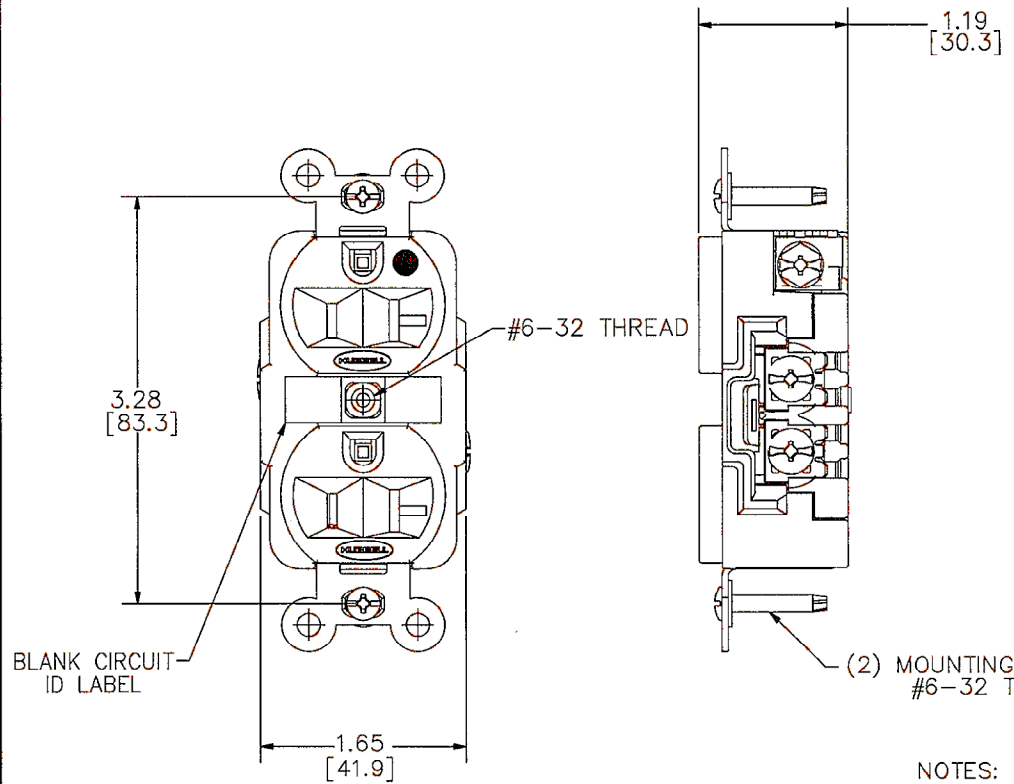


M-12432 2



NOTES:

- 1) DIMENSIONS ARE IN INCHES (MM).
- 2) ALL DEVICES ARE UL LISTED, CSA AND FED. SPEC. CERTIFIED.
- 3) TERMINALS ACCOMODATE:
 15 AMP, #14-#10 AWG STRANDED OR SOLID COPPER WIRE ONLY.
 20 AMP, #12-#10 AWG STRANDED OR SOLID COPPER WIRE ONLY.

HOSPITAL GRADE				CONFIGURATION	RATING
IVORY	LIGHT ALMOND	RED	WHITE		
HBL8200IMRI	HBL8200LAMRI	HBL8200RMRI	HBL8200WMRI		15A, 125V
HBL8300IMRI	HBL8300LAMRI	HBL8300RMRI	HBL8300WMRI		20A, 125V

LIST OF PARTS		
DESCRIPTION	MATERIAL	FINISH
TOP (EXCEPT RED)	POLYESTER	
TOP (RED)	NYLON	
BASE	POLYESTER	
LINE CONTACTS	BRASS	NICKEL PLATE
GROUND CONTACTS	BRASS	NICKEL PLATE
CLAMP PLATES	BRASS	NICKEL PLATE
BINDING SCREW (NEU)	BRONZE	NICKEL PLATE
BINDING SCREW (HOT)	BRONZE	
BRIDGE	BRASS	NICKEL PLATE
GROUND SCREW	BRONZE	GREEN
WASHER	FIBER	
MOUNTING SCREW	BRONZE	
RIVET	BRONZE	

2	IN PARTS LIST, TOP (EXCEPT RED) WAS TOP, BINDING SCREW (NEU) & (HOT) WAS CONTACT SCREW. ADDED CLAMP PLATE, BRASS, NICKEL PLATE & TOP (RED) NYLON PER DCN 19944. MYA	DJP	7/18/13
1	NEW RELEASE PER DCN 19837 MJZ	PJB	5/31/13
SYM	DESCRIPTION	APPROVED	DATE

THE DESIGN AND DIMENSIONS OF THE PRODUCT SHOWN ON THIS DRAWING ARE SUBJECT TO CHANGE WITHOUT NOTICE

TITLE
 HOSPITAL GRADE
 MRI RECEPTACLE
 15 & 20A

TOLERANCES UNLESS OTHERWISE SPECIFIED FRACTIONS ± 1/64 DECIMALS ± .005 ANGLES ± 2°	WIRING DEVICE—KELLEMS HUBBELL INCORPORATED SHELTON, CT	
	DR. BY MJZ	APP. BY PJB
	TR. BY MJZ	SCALE 1:1
	CHK'D BY PJB	DATE 5/31/13

CODE 74545

DIMENSION SHEET FOR CAT. NO. REPAIRABLE NON-REPAIRABLE M-12432 2