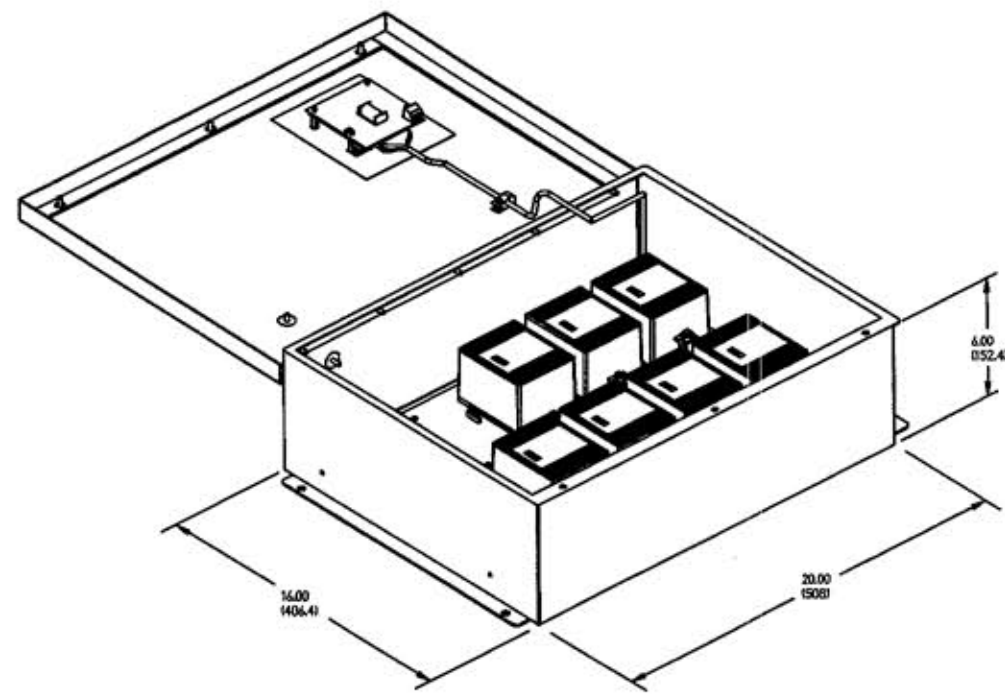


M-10627 2

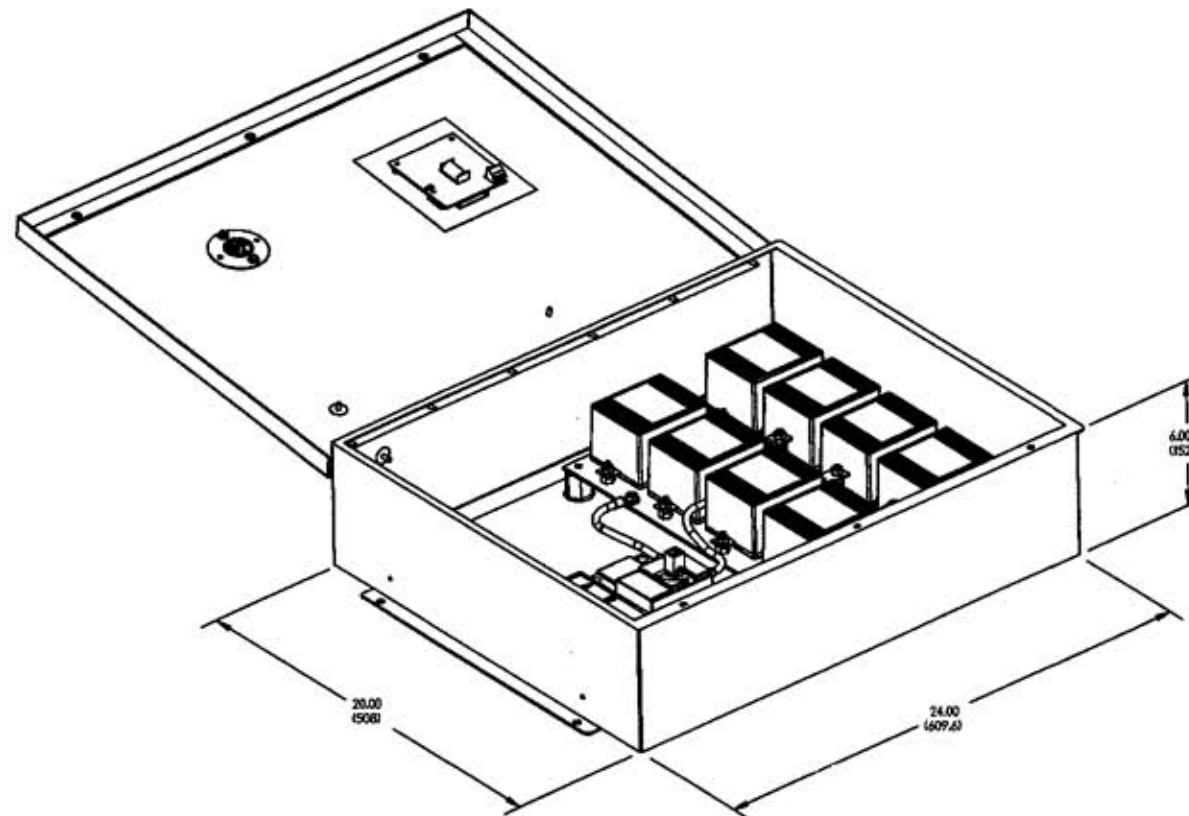
LIST OF PARTS

DESCRIPTION	MATERIAL	FINISH
ENCLOSURE	STEEL	GRAY

WIRE LUG SIZE, #12 TO #2 AWG



16 X 20 W/O DISCONNECT (A)



20 X 24 W/DISCONNECT (DA)

CAT. NO. W/O DISCONNECT	CAT. NO. W/DISCONNECT	VOLTAGE, CONFIGURATION
HBL3P320A	HBL3P320DA	120/240V, 1PH WYE+G
HBL4P320A	HBL4P320DA	120/208V, 3PH WYE+G
HBL5P320A	HBL5P320DA	240V, 3PH DELTA
HBL6P320A	HBL6P320DA	240/120V, 3PH DELTA (HIGH LEG)
HBL7P320A	HBL7P320DA	220/380V, 3PH WYE+G
HBL8P320A	HBL8P320DA	277/480V, 3PH WYE+G
HBL9P320A	HBL9P320DA	480V, 3PH DELTA
HBL10P320A	HBL10P320DA	347/600V, 3PH WYE+G
HBL11P320A	HBL11P320DA	600V, 3PH DELTA

DIMENSIONS ARE IN INCHES [MM]

2	ADDED "ENCLOSURE" TO "LIST OF PARTS"; REVISED "WIRE LUG SIZE" PER DCN 14595 RCM	SML	2/11/08
1	INITIAL RELEASE PER DCN 13952 AMM	SML	5-14-07
SYM	REVISIONS	APP	DATE

THE DESIGN AND DIMENSIONS OF THE PRODUCT SHOWN ON THIS DRAWING ARE SUBJECT TO CHANGE WITHOUT NOTICE

TITLE
320K AMPS, SPD MODULAR PANEL NEMA 1 ENCLOSURE

TOLERANCES UNLESS OTHERWISE SPECIFIED	WIRING DEVICE-KELLEMS HUBBELL INCORPORATED BRIDGEPORT, CT
FRACTIONS ± 1/64	DR. BY AMM APP. BY SML
DECIMALS ± .005	TR. BY SCALE 1:4
ANGLES ± 2°	CHK'D BY DATE 5-14-07

DIMENSION SHEET FOR CAT. NO.

SEE TABLE

REPAIRABLE

NON-REPAIRABLE

B

M-10627

2