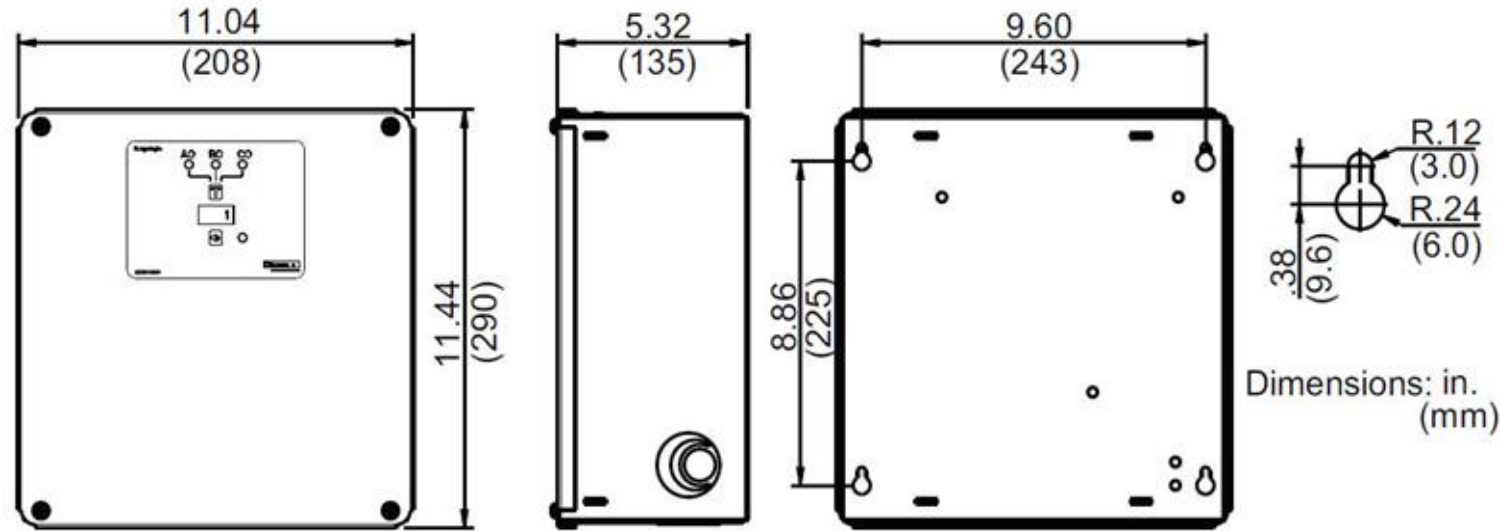


M-13630

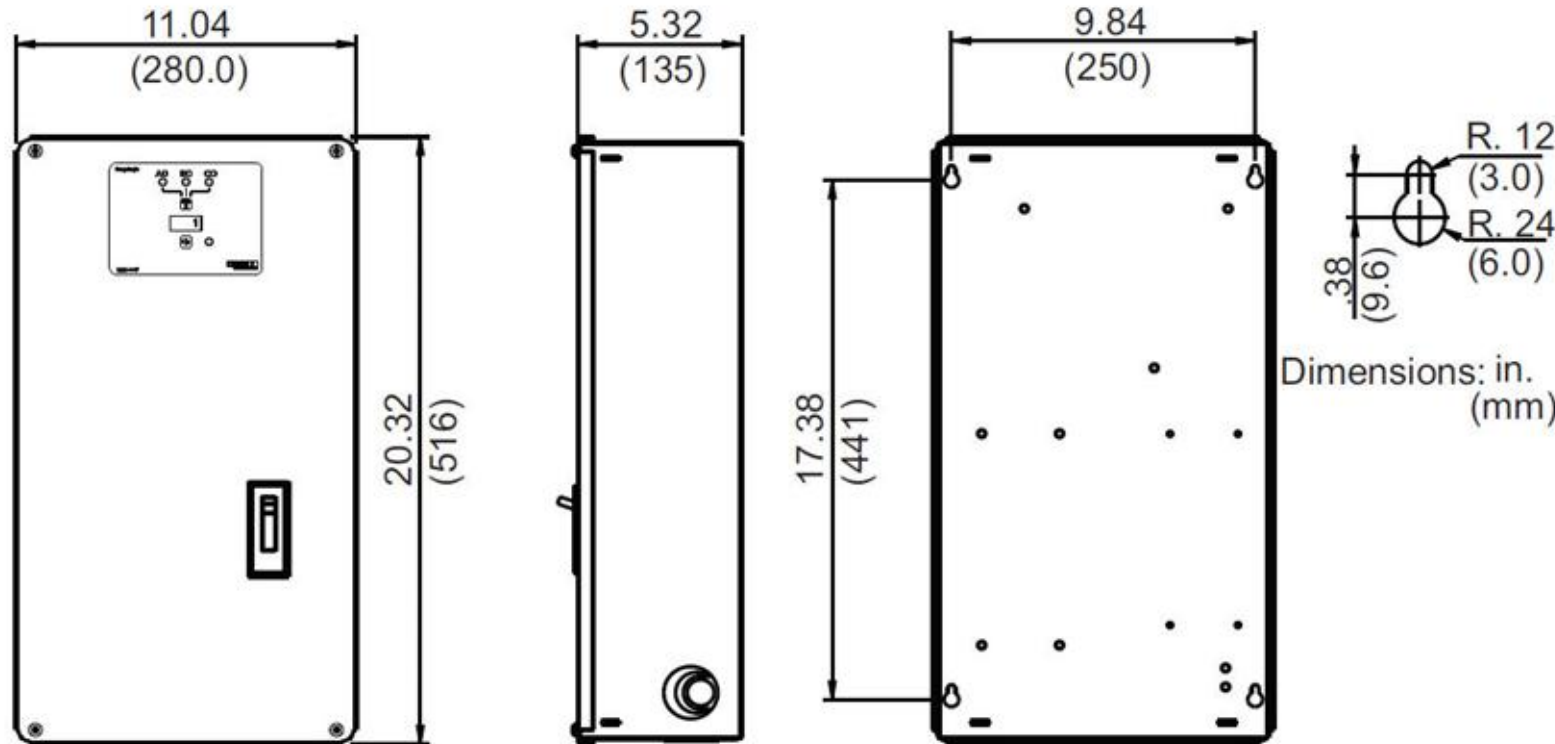
1

"B" SUFFIX



Dimensions: in.
(mm)

"DB" SUFFIX



Dimensions: in.
(mm)

NOTES: (UNLESS OTHERWISE SPECIFIED)

1. DIMENSIONS ARE INCHES
(mm)
2. .XX TOLERANCES TO BE $\pm .03$
3. #2 AWG TERMINALS
4. MAXIMUM SURGE CONTROL = 120kA/PHASE
I_{NOM} = 20kA
SCCR = 200kA

CAT. NO. *	VOLTAGE, PHASE
HBL3P160B	120/240V, 1PH
HBL4P160B	120/208V, 3PH
HBL5P160B	240V, 3PH
HBL6P160B	240/120V, 3PH
HBL7P160B	220/380V, 3PH
HBL8P160B	277/480V, 3PH
HBL9P160B	480V, 3PH
HBL10P160B	347/600V, 3PH
HBL11P160B	600V, 3PH

* DB SUFFIX DENOTES DISCONNECT OPTION

LIST OF PARTS

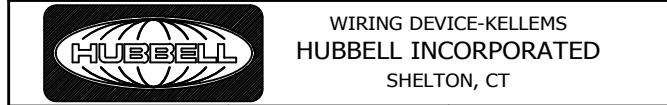
DESCRIPTION	MATERIAL	FINISH

WIRE LUG SIZE - #2 AWG

1	NEW RELEASE PER DCN 23003. MYA	SL	5/18/17
REV	DESCRIPTION	APP	DATE

THE DESIGN AND DIMENSIONS OF THE PRODUCT SHOWN ON THIS DRAWING ARE SUBJECT TO CHANGE WITHOUT NOTICE. DIMENSIONS ARE IN INCHES [mm].

TITLE
160K AMPS, TYPE 1 SPD PANEL
NEMA 1 ENCLOSURE



TOLERANCES UNLESS OTHERWISE SPECIFIED .XX = $\pm .01$.XXX = $\pm .005$ ANGLE TOL. $\pm 2'$	DR. BY MALLEN	SCALE NONE
	CHK. BY SL	DATE 5/18/17