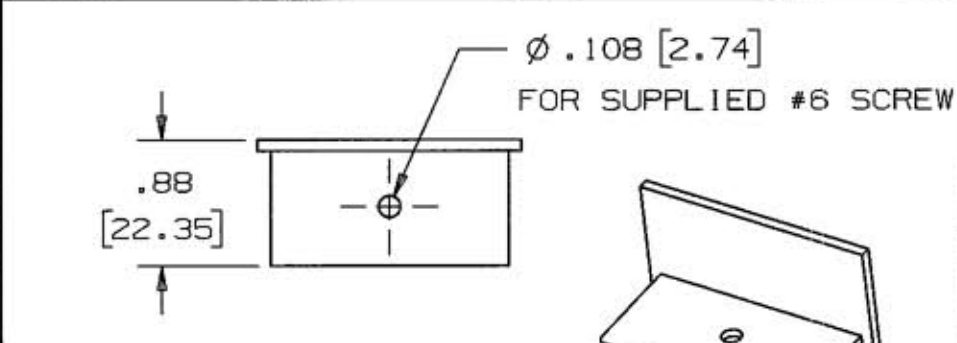
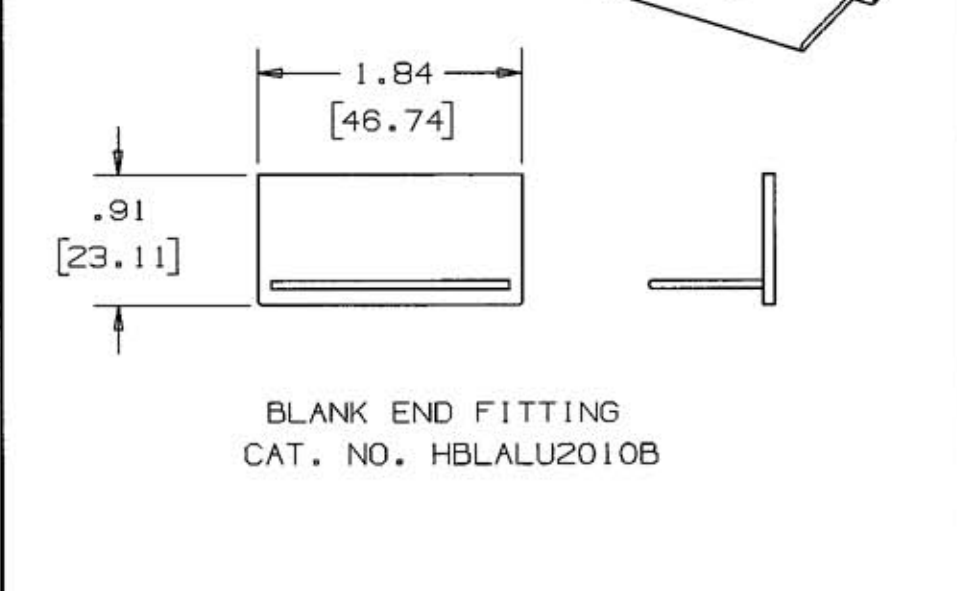


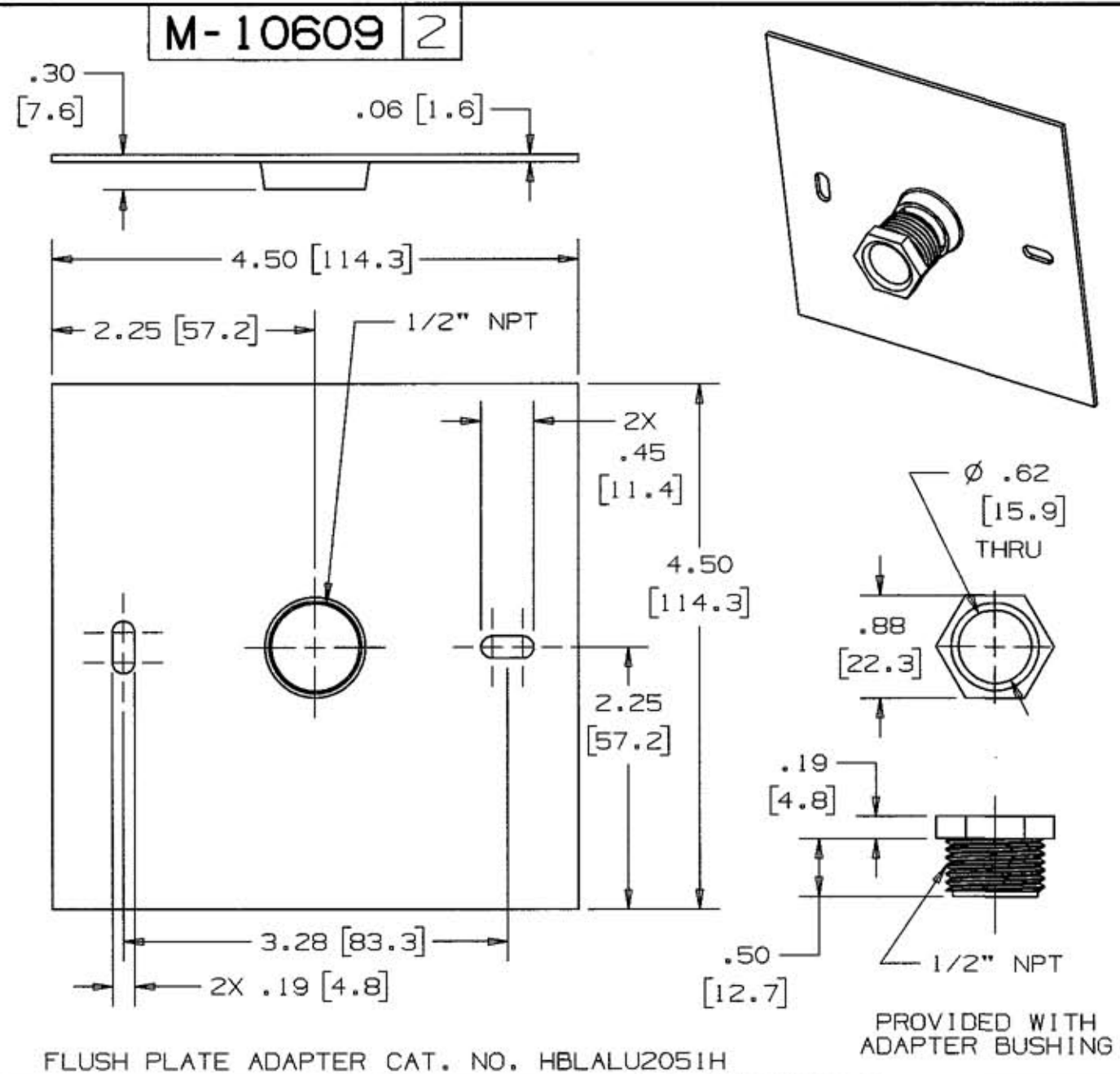
GROUNDING CLAMP
CAT. NO. HBLALU2009



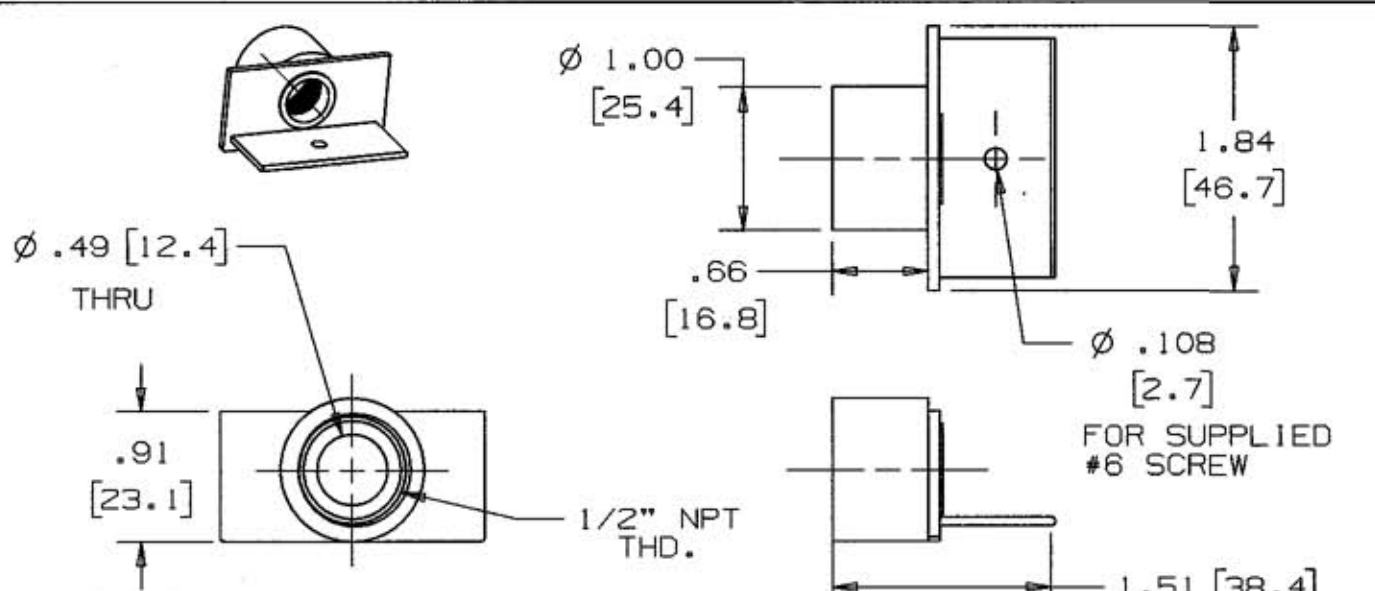
BLANK END FITTING
CAT. NO. HBLALU2010B



ENTRANCE END FITTING CAT. NO. HBLALU2010A



FLUSH PLATE ADAPTER CAT. NO. HBLALU2051H



PROVIDED WITH
ADAPTER BUSHING

M-10609 2

LIST OF PARTS

DESCRIPTION	MATERIAL	FINISH
GROUNDING CLAMP	STEEL	GALVANIZED
BLANK END FITTING	ALUMINUM	ANODIZED
FLUSH PLATE ADAPTER	ALUMINUM	ANODIZED
FLUSH PLATE BUSHING	DIE CASTING	ZINC
ENTRANCE FITTING BASE	ALUMINUM	ANODIZED
ENTRANCE FITTING INSERT	STEEL	GALVANIZED

2	1) REVISED MATLS LISTED FOR PARTS 21 HOLES FOR #6 SCREW WERE .15 DIA DCN14604	SRE	2/8/07
1	RELEASED PER DCN13903	SRE	4/2/07
SYM	REVISIONS	APP	DATE

THE DESIGN AND DIMENSIONS OF THE PRODUCT SHOWN ON THIS DRAWING ARE SUBJECT TO CHANGE WITHOUT NOTICE

TITLE
RACEWAY
MISC. PARTS
HBLALU2000 SERIES

TOLERANCES UNLESS OTHERWISE SPECIFIED	WIRING DEVICE-KELLEMS HUBBELL INCORPORATED BRIDGEPORT, CT	
FRACTIONS ± 1/64	DR. BY SRE	APP. BY SRE
DECIMALS ± .005	TR. BY	SCALE NONE
ANGLES ± 2°	CHK'D BY SRE	DATE 4/2/07