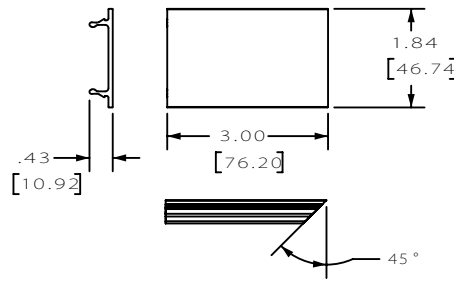
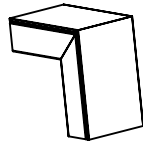
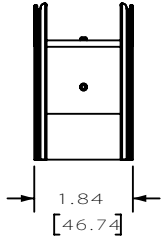
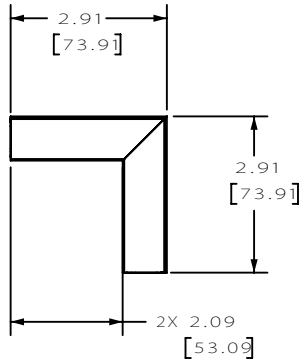
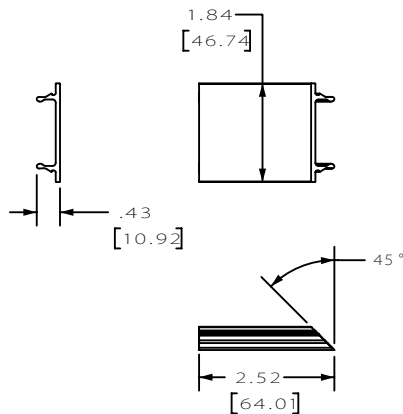
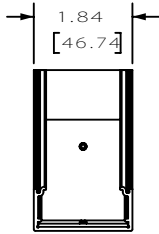
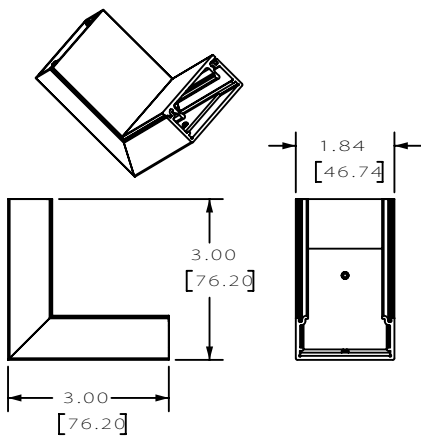


M - 10611 2



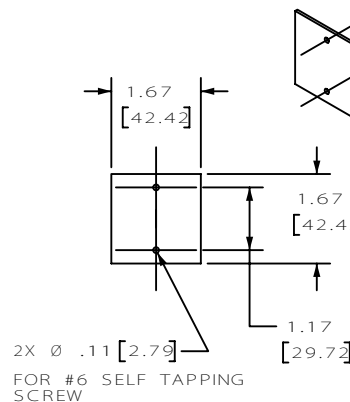
EXTERNAL ELBOW
CAT. NO. HBLALU2018
PROVIDED WITH (2) COUPLINGS

EXTERNAL ELBOW COVER
(2) PROVIDED

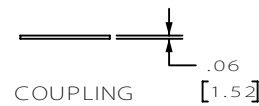


INTERNAL ELBOW
CAT. NO. HBLALU2017
PROVIDED WITH (2) COUPLINGS

INTERNAL ELBOW COVER
(2) PROVIDED



2X Ø .11 [2.79]
FOR #6 SELF TAPPING
SCREW



COUPLING

LIST OF PARTS

DESCRIPTION	MATERIAL	FINISH
ELBOW COVER	ALUMINUM	SATIN ANODIZED
ELBOW BASE	ALUMINUM	SATIN ANODIZED
COUPLING	ALUMINUM	PLAIN
COVERS	ALUMINUM	SATIN ANODIZED

DIMENSION SHEET FOR CAT. NO.
SEE TABLE

REPAIRABLE

NON-REPAIRABLE

B

M - 10611

2

2	CHANGED ALL FITTING COVERS .43" DIMENSION WAS .25" INTERNAL COVER 2.52" WAS 2.34 LG DCN14964	SRE SM	6/20/08
1	RELEASED PER DCN13903	SRE APP	4/2/07
SYM	REVISIONS	APP	DATE

THE DESIGN AND DIMENSIONS OF THE
PRODUCT SHOWN ON THIS DRAWING ARE
SUBJECT TO CHANGE WITHOUT NOTICE

TITLE

INTERNAL & EXTERNAL ELBOWS
HBLALU2000 SERIES

TOLERANCES UNLESS OTHERWISE SPECIFIED	WIRING DEVICE - KELLEMS HUBBELL INCORPORATED BRIDGEPORT, CT
FRACTIONS ±1/64	DR. BY SRE APP. BY SRE
DECIMALS ±.005	TR. BY SCALE 1:1
ANGLES ±2°	CHK'D BY SRE DATE 4/2/07