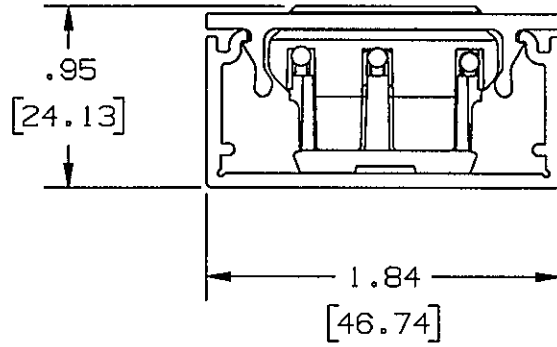
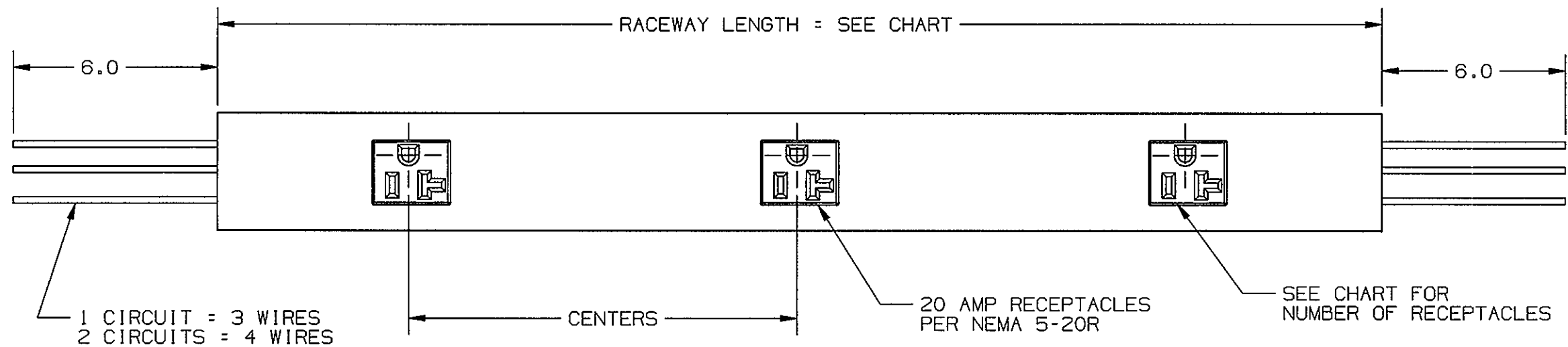


M-10646 5



NOTES:
 1) RECEPTACLES ARE LOCATED SYMMETRICALLY IN OVERALL LENGTH.
 2) CONDUCTORS - #12 THHN STRANDED COPPER WIRE
 3) ALL DIMENSIONS IN INCHES AND [MM]

CATALOG NUMBER	3FT.	5FT.	6FT.	8FT.	1 CIRCUIT	2 CIRCUIT	CENTERS	NO. OF RECEPTACLES
HBLALU24GB506		X			X		6.0 IN.	10
HBLALU24GB512		X			X		12.0 IN.	5
HBLALU24GBA606			X			X	6.0 IN.	12
HBLALU24GB606			X		X		6.0 IN.	12
HBLALU24GB612			X		X		12.0 IN.	6
HBLALU24GB618			X		X		18.0 IN.	4
HBLALU24GBA612			X			X	12.0 IN.	6
HBLALU24GBA618			X			X	18.0 IN.	4
HBLALU24GB306	X				X		6.0 IN.	6
HBLALU24IG306	X				X		6.0 IN.	6
HBLALU24IG506		X			X		6.0 IN.	10
HBLALU24IG606			X				6.0 IN.	12
HBLALU24GB88				X	X		8.0 IN.	12

LIST OF PARTS		
DESCRIPTION	MATERIAL	FINISH
HOUSING	STEEL	SEE NOTES
RECEPTACLES	PVC	SEE NOTES

5	NOTE 2 ADDED COPPER TO WIRE. NOTE 3 WAS SEPARATE NOTE. TABLE, CAT. ENDING IN B512 CENTERS 6.0 IN. WAS 12.0 IN. NO. RECEPT. 12 WAS 5. CAT. ENDING IN G606 CENTERS 6.0 IN. WAS 12.0 IN. NO. OF RECEPT. 12 WAS 5. PER DCN 19832 SPN	DJP	5/17/13
4	EXTENSION LINE FOR RACEWAY LENGTH WAS INCORRECTLY POSITIONED TO WIRE END. PER DCN 16003 SPN	CZH	9/2/09
3	ADDED CAT. NO. HBLALU24GB88 & 8FT. COLUMN TO TABLE PER DCN 15991 RCM	CZH	8/21/09
2	REVISED VIEWS TO SHOW NEW COVER PER DCN 14964 SRE	SM	6/20/08
1	RELEASED PER DCN 13903	SRE	5/16/07
SYM	REVISIONS	APP	DATE

THE DESIGN AND DIMENSIONS OF THE PRODUCT SHOWN ON THIS DRAWING ARE SUBJECT TO CHANGE WITHOUT NOTICE

TITLE
 PLUGTRAK - METALLIC MULTI-OUTLET ASSEMBLIES 20 AMP

TOLERANCES UNLESS OTHERWISE SPECIFIED
 .XX = ± .01
 .XXX = ± .005
 ANGLES = ± 2°

WIRING DEVICE-KELLEMS HUBBELL INCORPORATED SHELTON, CT

DR. BY SRE APP. BY SRE
 TR. BY SCALE 1:1
 CHK. BY SRE DATE 5/16/07