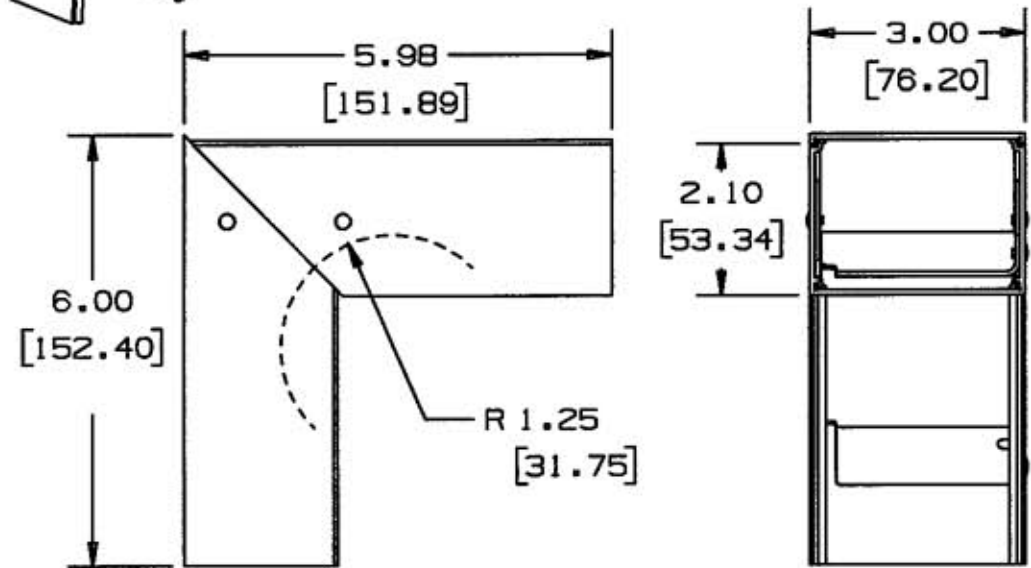
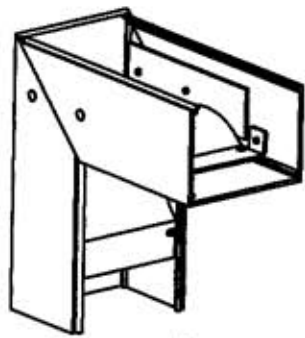
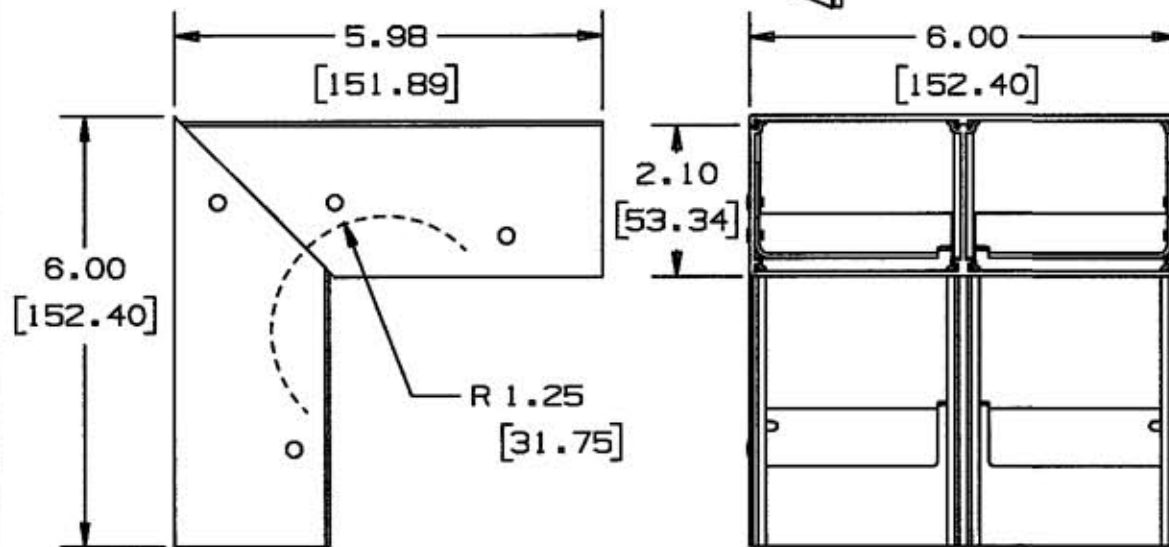
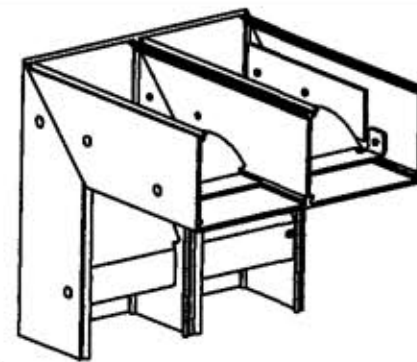


M-10431

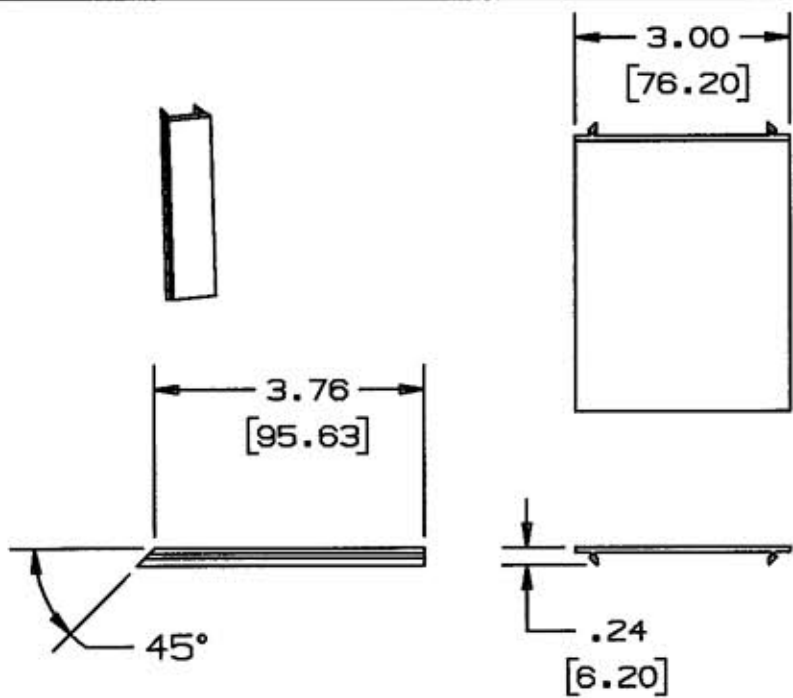
1



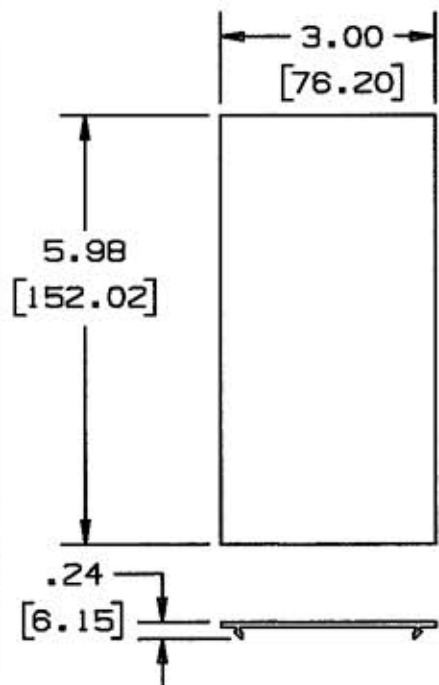
INVERTED INTERNAL ELBOW-1 CHANNEL  
BASE ASSY  
CAT. NO. HBLALU3817N



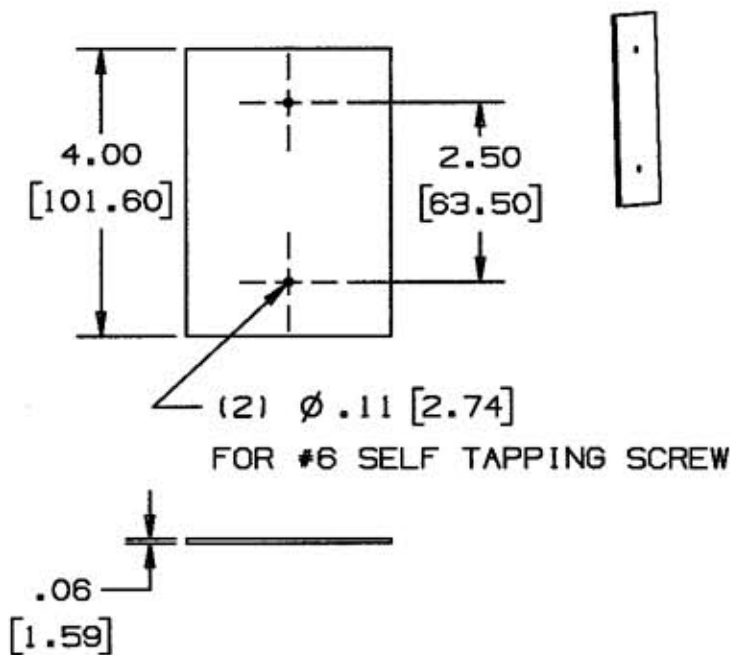
INVERTED INTERNAL ELBOW-2 CHANNEL  
BASE ASSY  
CAT. NO. HBLALU4817N



INTERNAL ELBOW COVER SUPPLIED WITH	
QTY.	CAT. NO.
1	HBLALU3817N
2	HBLALU4817N



INTERNAL ELBOW COVER SUPPLIED WITH	
QTY.	CAT. NO.
1	HBLALU3817N
2	HBLALU4817N



COUPLING SUPPLIED WITH	
QTY.	CAT. NO.
2	HBLALU3817N
4	HBLALU4817N

LIST OF PARTS

DESCRIPTION	MATERIAL	FINISH
BASE ASSY.	ALUMINUM	SATIN ANODIZED
INTERNAL ELBOW COVER	ALUMINUM	SATIN ANODIZED
INVERTED INT. ELBOW COVER	ALUMINUM	SATIN ANODIZED
COUPLING	ALUMINUM	SATIN ANODIZED

REPAIRABLE  NON-REPAIRABLE

1 RELEASED PER DCN 13553 11/14/06

SYN REVISIONS APP DATE

THE DESIGN AND DIMENSIONS OF THE PRODUCT SHOWN ON THIS DRAWING ARE SUBJECT TO CHANGE WITHOUT NOTICE

TITLE INVERTED INTERNAL ELBOW ALUMINUM SERIES

TOLERANCES UNLESS OTHERWISE SPECIFIED  
FRACTIONS ± 1/84  
DECIMALS ± .005  
ANGLES ± 2°

WIRING DEVICE-KELLEMS HUBBELL INCORPORATED BRIDGEPORT, CT  
DR. BY SRE APP. BY [Signature]  
TR. BY [Signature] SCALE 1:1  
CHK'D BY [Signature] DATE 11/14/06

NOTE: ALL DIMENSIONS IN INCHES AND [MM]

DIMENSION SHEET FOR CAT. NO. SEE TABLE REPAIRABLE  NON-REPAIRABLE  B M-10431 1