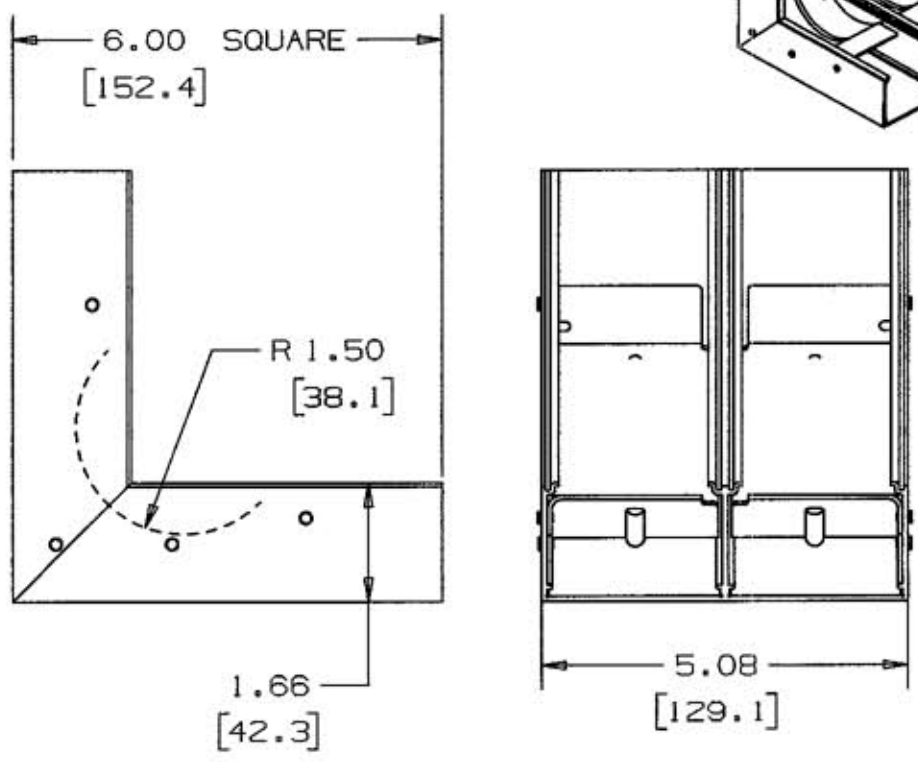
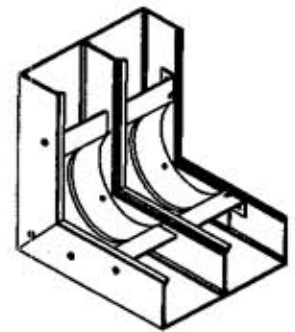
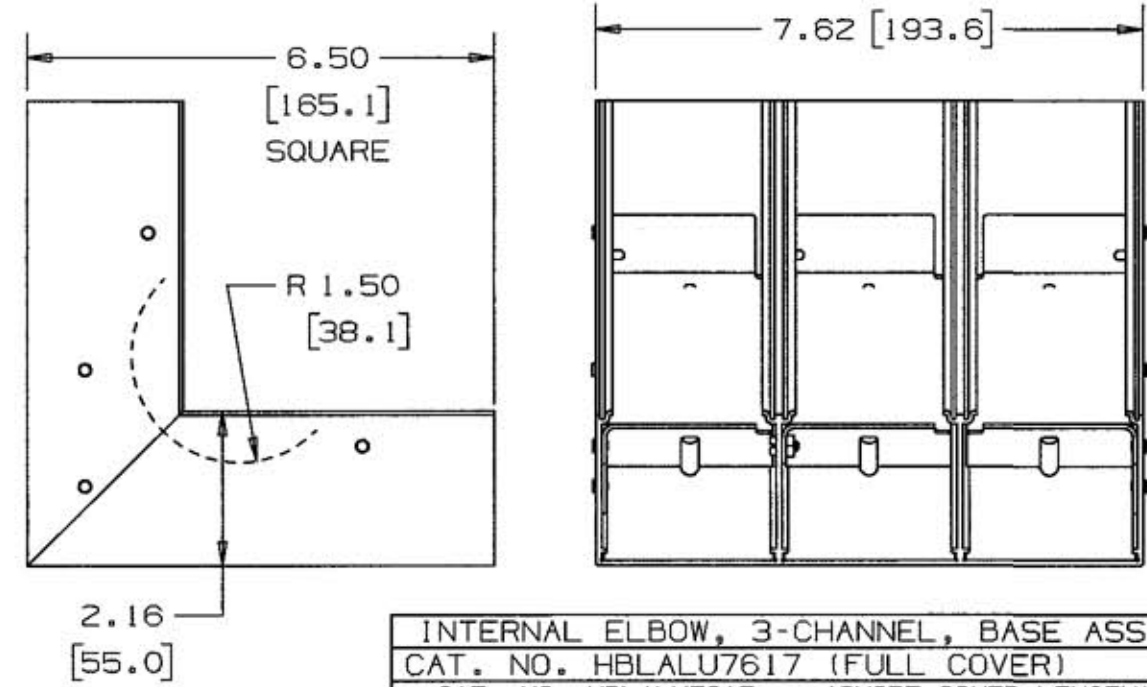
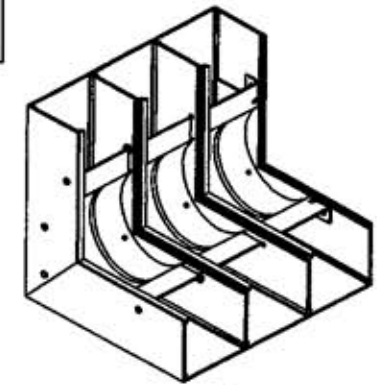


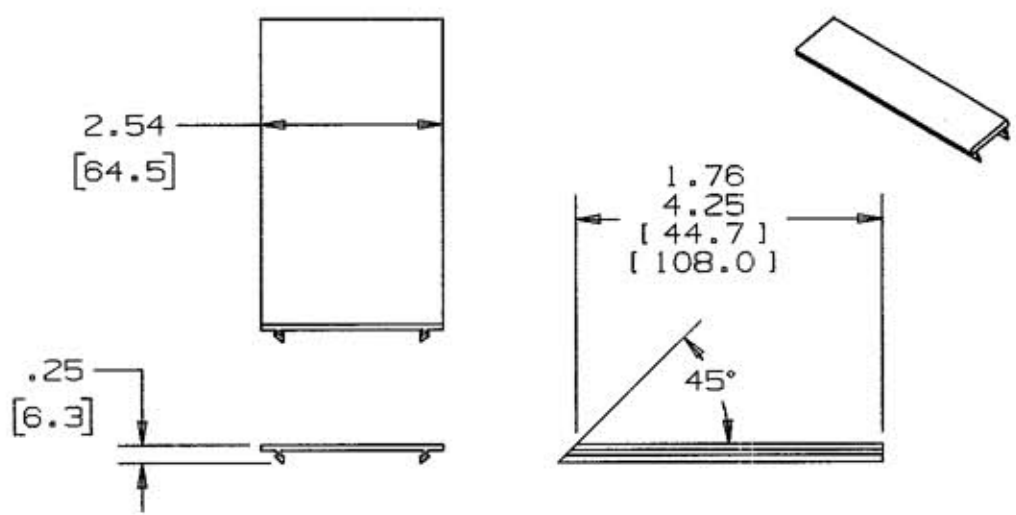
M-10600 2



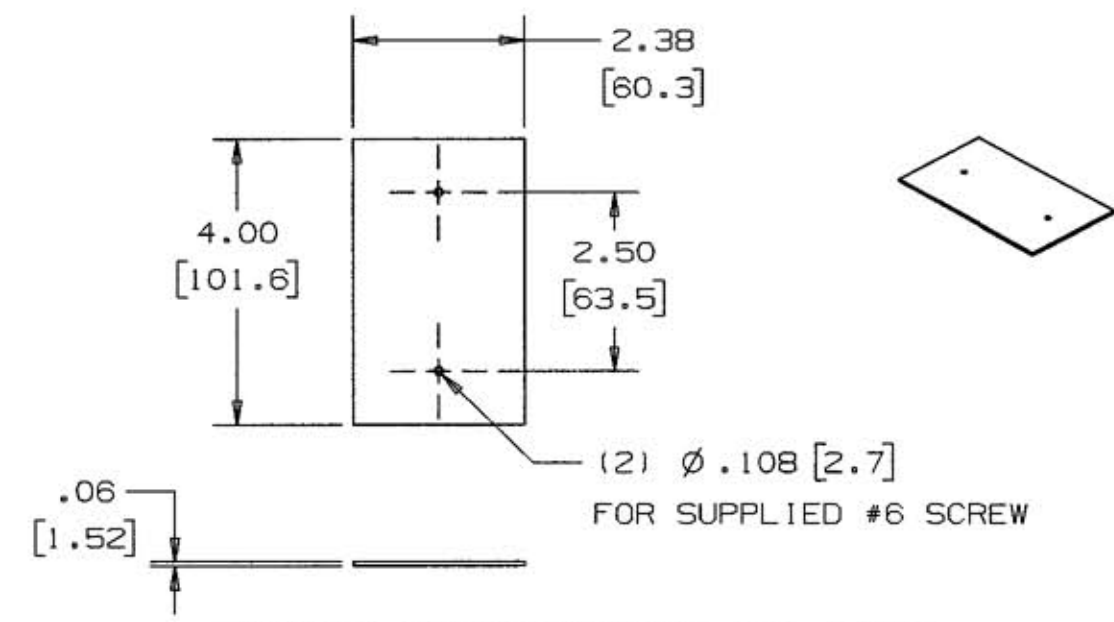
INTERNAL ELBOW, 2-CHANNEL, BASE ASSY
 CAT. NO. HBLALU5017 (FULL COVER)
 CAT. NO. HBLALU5017___ (SHORT COVER LENGTH)



INTERNAL ELBOW, 3-CHANNEL, BASE ASSY
 CAT. NO. HBLALU7617 (FULL COVER)
 CAT. NO. HBLALU7617___ (SHORT COVER LENGTH)



INTERNAL ELBOW COVER SUPPLIED WITH CAT. NOS. SHOWN:		
QUANTITY	CAT. NO.	LENGTH
4	HBLALU5017	4.25
6	HBLALU7617	4.25
4	HBLALU5017___	1.76 THRU 4.24
6	HBLALU7617___	1.76 THRU 4.24



COUPLING SUPPLIED WITH CAT. NOS. SHOWN:	
QUANTITY	CAT. NO.
4	HBLALU5017
6	HBLALU7617
4	HBLALU5017___
6	HBLALU7617___

NOTE: ALL DIMENSIONS IN INCHES AND [MM]

LIST OF PARTS

DESCRIPTION	MATERIAL	FINISH
BASE ASSY	ALUMINUM	SATIN ANODIZED
COVER	ALUMINUM	SATIN ANODIZED
COUPLING	ALUMINUM	SATIN ANODIZED

DIMENSION SHEET FOR CAT. NO. M-10600
 SEE TABLE
 REPAIRABLE NON-REPAIRABLE

SYM	REVISIONS	APP	DATE
2	ADDED CAT NOS, HBLALU5017-- & HBLALU7617__ DCN14604	SRE	2/12/08
1	RELEASED PER DCN13903	SRE	4/27/07

THE DESIGN AND DIMENSIONS OF THE PRODUCT SHOWN ON THIS DRAWING ARE SUBJECT TO CHANGE WITHOUT NOTICE

TITLE
INTERNAL ELBOW ALUMINUM SERIES

TOLERANCES UNLESS OTHERWISE SPECIFIED		WIRING DEVICE-KELLEMS HUBBELL INCORPORATED BRIDGEPORT, CT	
FRACTIONS	± 1/64	DR. BY	SRE
DECIMALS	± .005	TR. BY	SCALE 1:1
ANGLES	± 2°	CHK'D BY	SRE
		DATE	4/27/07