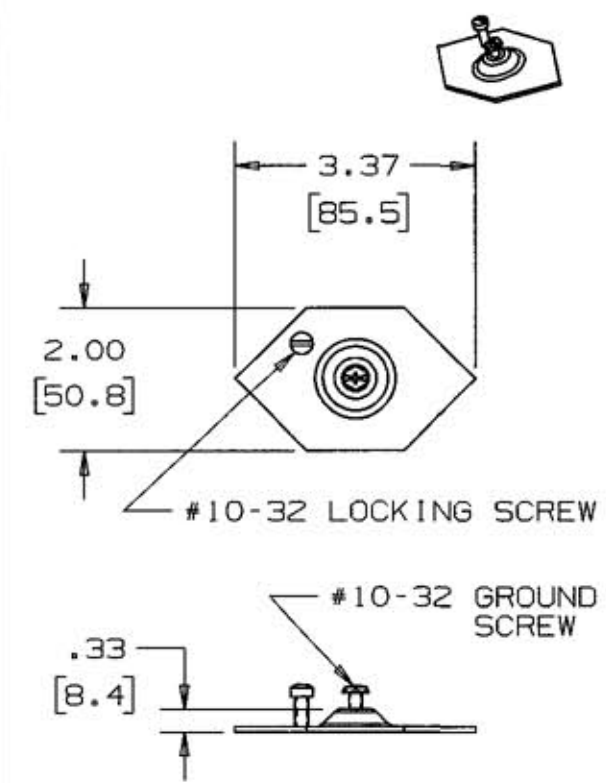
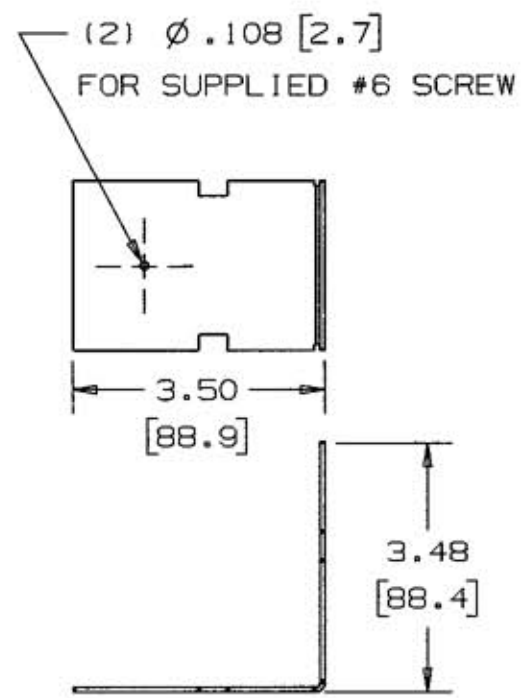
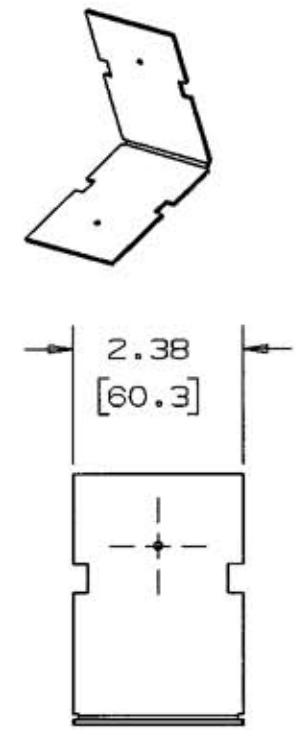
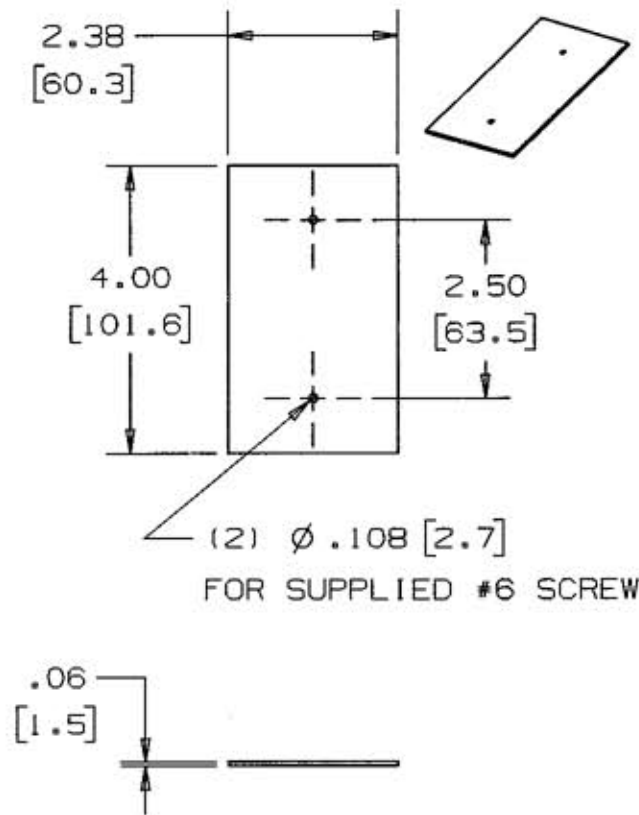


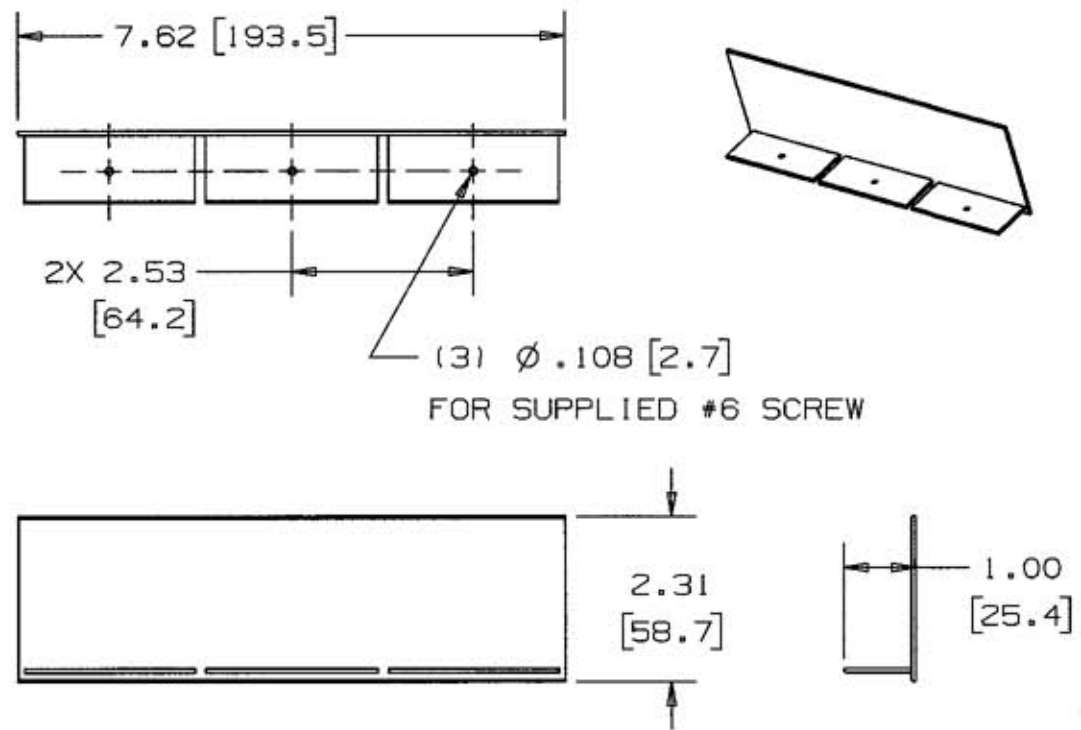
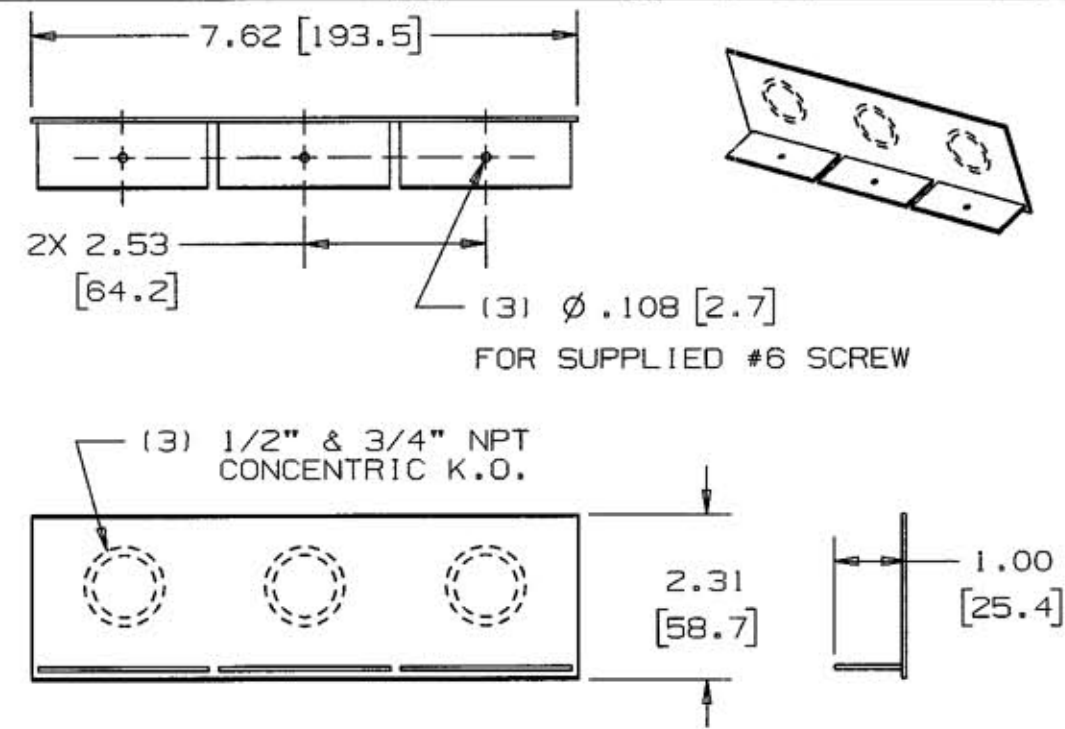
M-10602 2



COUPLING
CAT. NO. HBLALU5701

INTERNAL CORNER COUPLING
CAT. NO. HBLALU5717A

GROUNDING ADAPTER
CAT. NO. HBLALU5709



ENTRANCE END FITTING-3 CHANNEL
CAT. NO. HBLALU7610B2
CAT. NO. HBLALU7610B2----
PROVIDED WITH OR WITHOUT CONCENTRIC
KNOCKOUTS AS SHOWN OR HOLES FOR 1/2", 3/4"
OR 1" TRADE SIZE AT SAME LOCATIONS

BLANK END FITTING-3 CHANNEL
CAT. NO. HBLALU7610B

NOTE: ALL DIMENSIONS IN INCHES AND [MM]

LIST OF PARTS

DESCRIPTION	MATERIAL	FINISH
COUPLING	ALUMINUM	SATIN ANODIZED
INTERNAL CORNER COUPLING	ALUMINUM	SATIN ANODIZED
GROUNDING ADAPTER	ALUMINUM	SATIN ANODIZED
ENTRANCE END FITTING	ALUMINUM	SATIN ANODIZED
BLANK END FITTING	ALUMINUM	SATIN ANODIZED

REV	DESCRIPTION	APP	DATE
2	ADDED CAT NO. HBLALU7610B2... DCN14604 SRE	SRE	2/12/08
1	RELEASED PER DCN 13903	SRE	4/27/07
SYM	REVISIONS	APP	DATE

REV	DESCRIPTION	APP	DATE
2	ADDED CAT NO. HBLALU7610B2... DCN14604 SRE	SRE	2/12/08
1	RELEASED PER DCN 13903	SRE	4/27/07
SYM	REVISIONS	APP	DATE

THE DESIGN AND DIMENSIONS OF THE
PRODUCT SHOWN ON THIS DRAWING ARE
SUBJECT TO CHANGE WITHOUT NOTICE

TITLE
RACEWAY MISC.
ALUMINUM SERIES

TOLERANCES UNLESS OTHERWISE SPECIFIED	WIRING DEVICE-KELLEMS HUBBELL INCORPORATED BRIDGEPORT, CT	
FRACTIONS ± 1/64	DR. BY SRE	APP. BY SRE
DECIMALS ± .005	TR. BY	SCALE 1:1
ANGLES ± 2°	CHK'D BY SRE	DATE 4/27/07

DIMENSION SHEET FOR CAT. NO.

REPAIRABLE

NON-REPAIRABLE

B

M-10602

N