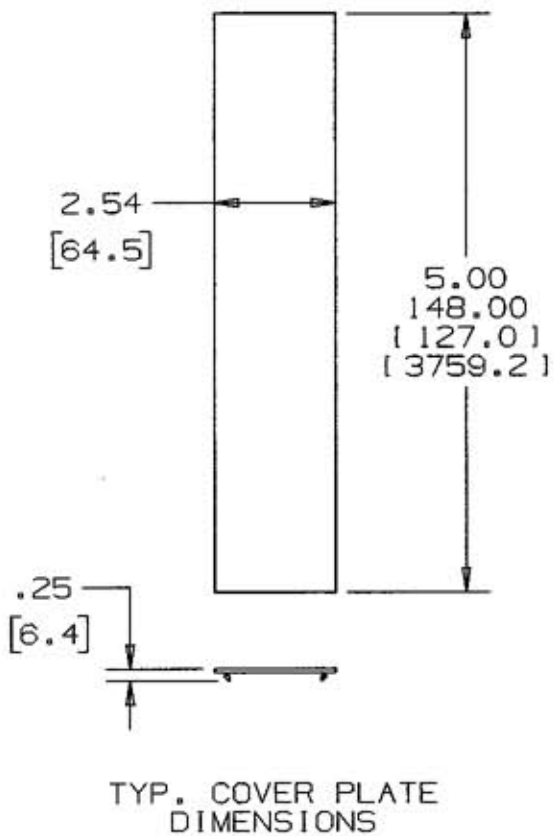


M-10605 2



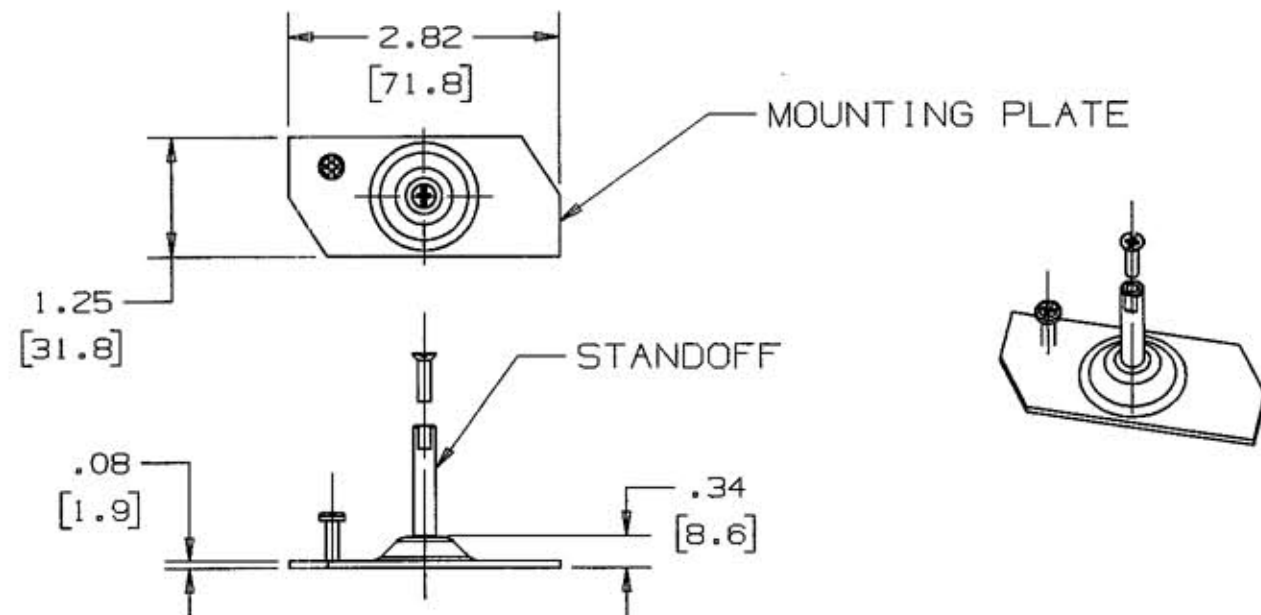
| SINGLE RECEPTACLE $\emptyset 1.40$ | |
|------------------------------------|-------------|
| CAT. NO. | LENGTH |
| HBLALU57EBM | 12.00 |
| HBLALU57EBM__ | 5.0 - 148.0 |

| RECTANGULAR OPENING | |
|---------------------|-------------|
| CAT. NO. | LENGTH |
| HBLALU57GBM | 12.00 |
| HBLALU57GBM__ | 5.0 - 148.0 |

| DUPLEX OPENING | |
|----------------|-----------|
| CAT. NO. | LENGTH |
| HBLALU57DRBM | 12.00 |
| HBLALU57DRBM__ | 5.0-148.0 |

| SINGLE RECEPTACLE $\emptyset 1.59$ | |
|------------------------------------|-------------|
| CAT. NO. | LENGTH |
| HBLALU57FBM | 12.00 |
| HBLALU57FBM__ | 5.0 - 148.0 |

| SWITCH OPENING | |
|----------------|-------------|
| CAT. NO. | LENGTH |
| HBLALU57NBM | 12.00 |
| HBLALU57NBM__ | 5.0 - 148.0 |



ALL COVER PLATES ARE SUPPLIED WITH (2) STANDOFFS, (2) MOUNTING PLATES, (2) TIGHTENING SCREWS - #6-32 X 1/2 PAN HEAD, & (2) DEVICE MOUNTING SCREWS - #6-32 X 1/2 FLAT HEAD.

NOTE: ALL DIMENSIONS IN INCHES AND [MM]

LIST OF PARTS

| DESCRIPTION | MATERIAL | FINISH |
|-------------|----------|----------------|
| COVER PLATE | ALUMINUM | SATIN ANODIZED |
| BEZEL | PC/ABS | GRAY |
| | | |
| | | |
| | | |
| | | |
| | | |
| | | |
| | | |
| | | |
| | | |
| | | |

| SYM | REVISIONS | APP | DATE |
|-----|--|-----|---------|
| 2 | ADDED CAT. NOS. W/SUFFIXES; 5.00/148.00 WAS 12.00 DCN14604 | SRE | 2/12/08 |
| 1 | RELEASED PER DCN13903 | SRE | 4/30/07 |

THE DESIGN AND DIMENSIONS OF THE PRODUCT SHOWN ON THIS DRAWING ARE SUBJECT TO CHANGE WITHOUT NOTICE

TITLE
COVER PLATES
BASE MOUNTED
ALUMINUM SERIES

| TOLERANCES UNLESS OTHERWISE SPECIFIED | | WIRING DEVICE-KELLEMS HUBBELL INCORPORATED BRIDGEPORT, CT | |
|---------------------------------------|--------|---|--------------|
| FRACTIONS | ± 1/64 | DR. BY | SRE |
| DECIMALS | ± .005 | APP. BY | SRE |
| ANGLES | ± 2° | TR. BY | SCALE 1:1 |
| | | CHK'D BY | SRE |
| | | | DATE 4/30/07 |