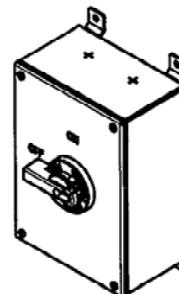


M-12331

1

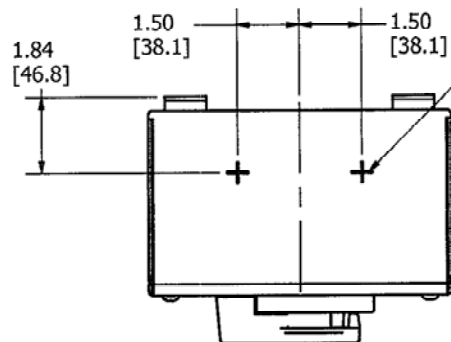


(2) 1/4 INCH NPT CONDUIT FITTINGS SUPPLIED



LIST OF PARTS

DESCRIPTION	MATERIAL	FINISH
ENCLOSURE & HARDWARE	STAINLESS STEEL	
HANDLE & MOUNT	PBT	
GASKET	EPDM FOAM	
CONDUIT HUB	ZINC	



DRILL SPOTS FOR 1/4 INCH NPT CONDUIT FITTINGS, (6) PLACES. PROVISIONS FOR TOP, BOTTOM, & BACK FEED. INSTALLER TO DRILL OR PUNCH

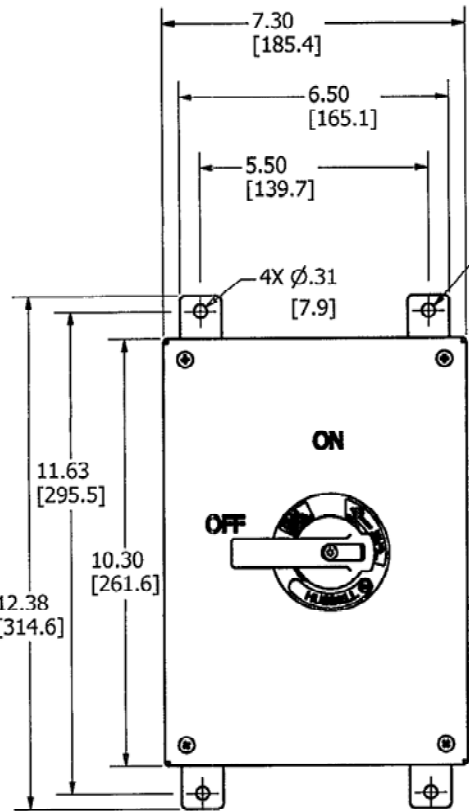
Ø1 3/8 INCH (Ø44.5 mm) HOLE FOR CONDUIT FITTING.

NOTES:

- 1. DIMENSIONS SHOWN ARE IN INCHES [mm].
- 2. ENCLOSURE TYPE 4X & 12.
- 3. CULUS LISTED.

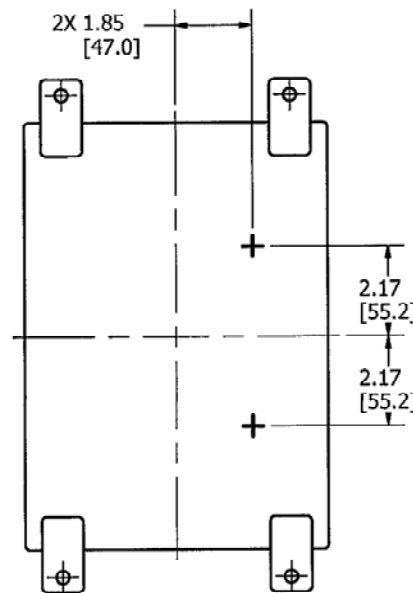
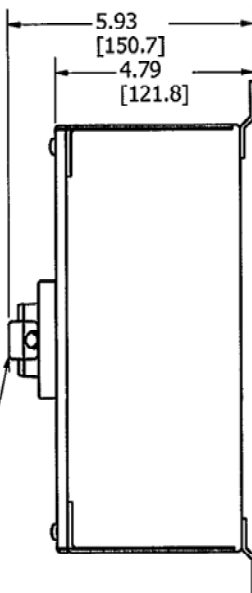
CAT NO. HBLDS65S & HBLDS65SAC (AUX CONTACT)	
60 AMP	600 VAC
7.5 HP (5.6 kw)	120 VAC 1 Ø
15 HP (11.19 kw)	200-240 VAC 1 Ø
30 HP (22.37 kw)	480 VAC 1 Ø
30 HP (22.37 kw)	200-240 VAC 3 Ø
50 HP (37.28 kw)	480 VAC 3 Ø
50 HP (37.28 kw)	600 VAC 3 Ø

CAT NO. HBLDS105S & HBLDS105SAC (AUX CONTACT)	
100 AMP	600 VAC
7.5 HP (5.6 kw)	120 VAC 1 Ø
15 HP (11.19 kw)	200-240 VAC 1 Ø
30 HP (22.37 kw)	480 VAC 1 Ø
30 HP (22.37 kw)	200-240 VAC 3 Ø
50 HP (37.28 kw)	480 VAC 3 Ø
50 HP (37.28 kw)	600 VAC 3 Ø



HOLES ACCEPT 1/4" DIA SCREWS MAX

LOCKABLE SWITCH HANDLE (OFF POSITION ONLY)



DIVISION SHEET P&ID: NO.

SEE TABLE

REPAIRABLE

NON-REPAIRABLE

B

M-12331

1

1	RELEASED PER	DCN# 19082	MAM	TLS	10/18/12
SYM	DESCRIPTION	APPROVED	DATE		

THE DESIGN AND DIMENSIONS OF THE PRODUCT SHOWN ON THIS DRAWING ARE SUBJECT TO CHANGE WITHOUT NOTICE

TITLE
CIRCUIT-LOCK™ 60 & 100 AMP STAINLESS STEEL DISCONNECT SWITCH

TOLERANCES UNLESS OTHERWISE SPECIFIED	WIRING DEVICE-KELLEMS HUBBELL INCORPORATED SHELTON, CT	
FRACTIONS ±1/64	DR. BY MAM	APP. BY TLS
DECIMALS ±.005	TR. BY MAM	SCALE NONE
ANGLES ±2'	CHKD BY MJZ	DATE 10/18/2012