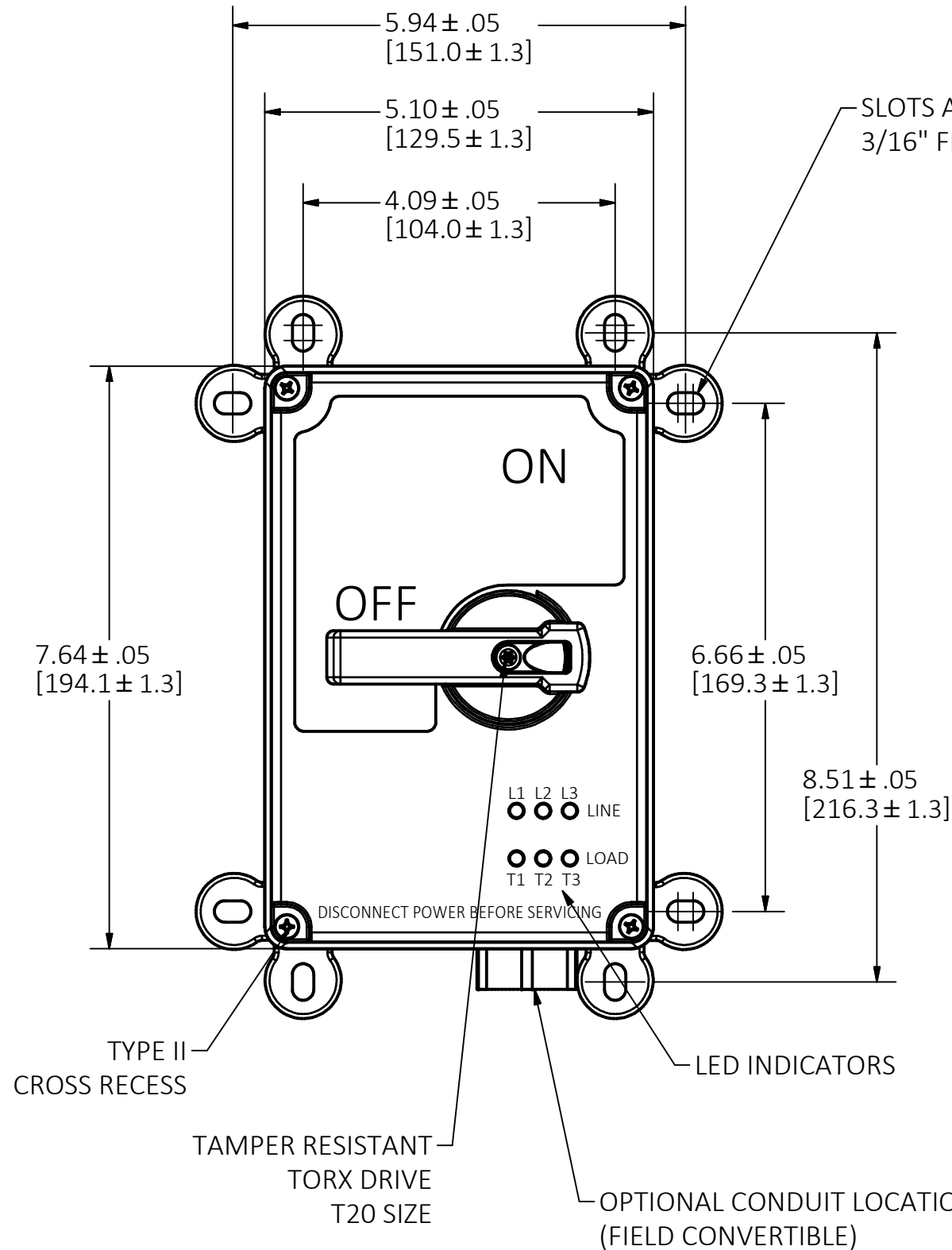


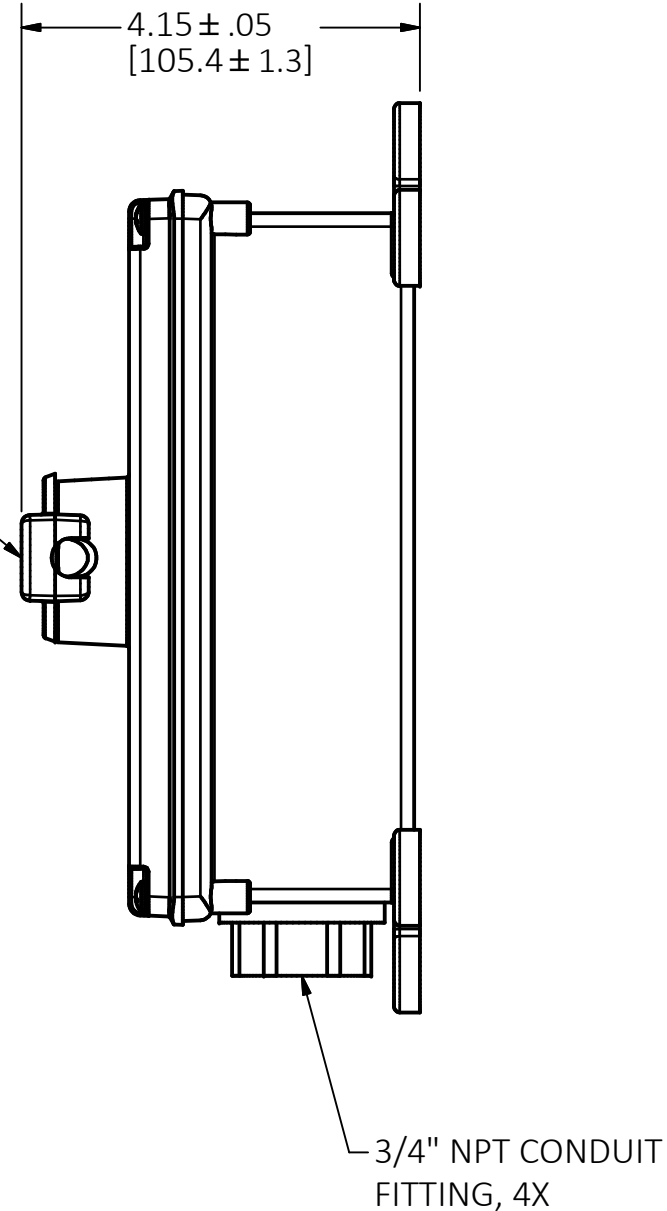
M-13465

1



SLOTS ACCEPT 1/4" SCREWS
3/16" FREE PLAY IN SLOTS

LOCKABLE
SWITCH
HANDLE

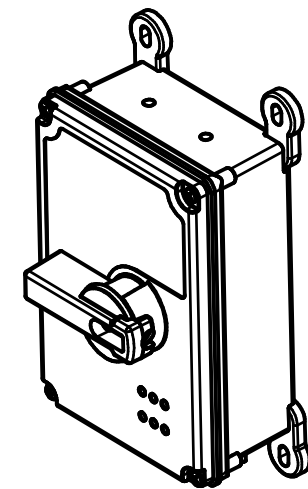


NOTES UNLESS OTHERWISE SPECIFIED:

1. DIMENSIONS SHOWN ARE IN INCHES [mm].
2. ENCLOSURE TYPE 4X, 12.
3. cULus LISTED.
4. NSF CERTIFIED AND IP69K RATING.

LIST OF PARTS

DESCRIPTION	MATERIAL	FINISH
ALL EXTERNAL	UV STABILIZED	
PLASTIC PARTS	POLYESTER/ POLYCARBONATE BLEND	
FRAME	GALVANIZED STEEL	
ALL EXTERNAL SCREWS AND HARDWARE	STAINLESS STEEL	
CONDUIT HUB	ZINC	



CATALOG NO. HBLDS3P
(NOT SHOWN TO SCALE)

1	NEW RELEASE PER DCN 22777 CAC		01/04/17
REV	DESCRIPTION	APP	DATE

THE DESIGN AND DIMENSIONS OF THE
PRODUCT SHOWN ON THIS DRAWING ARE
SUBJECT TO CHANGE WITHOUT NOTICE.
DIMENSIONS ARE IN INCHES [mm].

CATALOG NO. HBLDS3P	
30 AMP 600V A.C. RATINGS	
HP	VOLTAGE
1 HP	120V AC 1∅
3 HP	200-240V AC 1∅
5 HP	480V AC 1∅
7.5 HP	200-240V AC 3∅
15 HP	480V AC 3∅
15 HP	600V AC 3∅

TITLE
CIRCUIT-LOCK™ DISCONNECT SWITCH
LED INDICATORS



WIRING DEVICE-KELLEMS
HUBBELL INCORPORATED
SHELTON, CT

TOLERANCES UNLESS OTHERWISE SPECIFIED .XX = ± .01 .XXX = ± .005 ANGLE TOL. ±2'	DR. BY CAC	SCALE 1 / 2
	CHK. BY	DATE 01-04-2016