

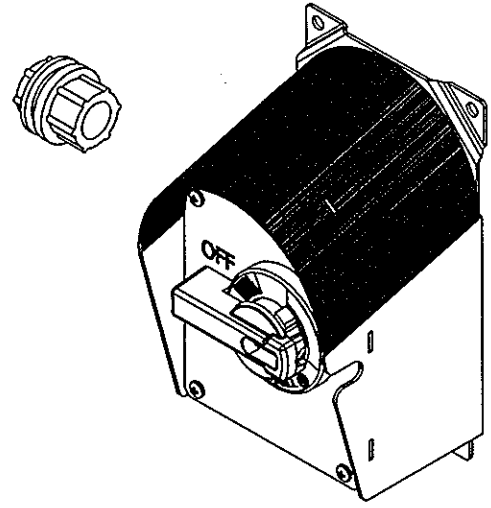
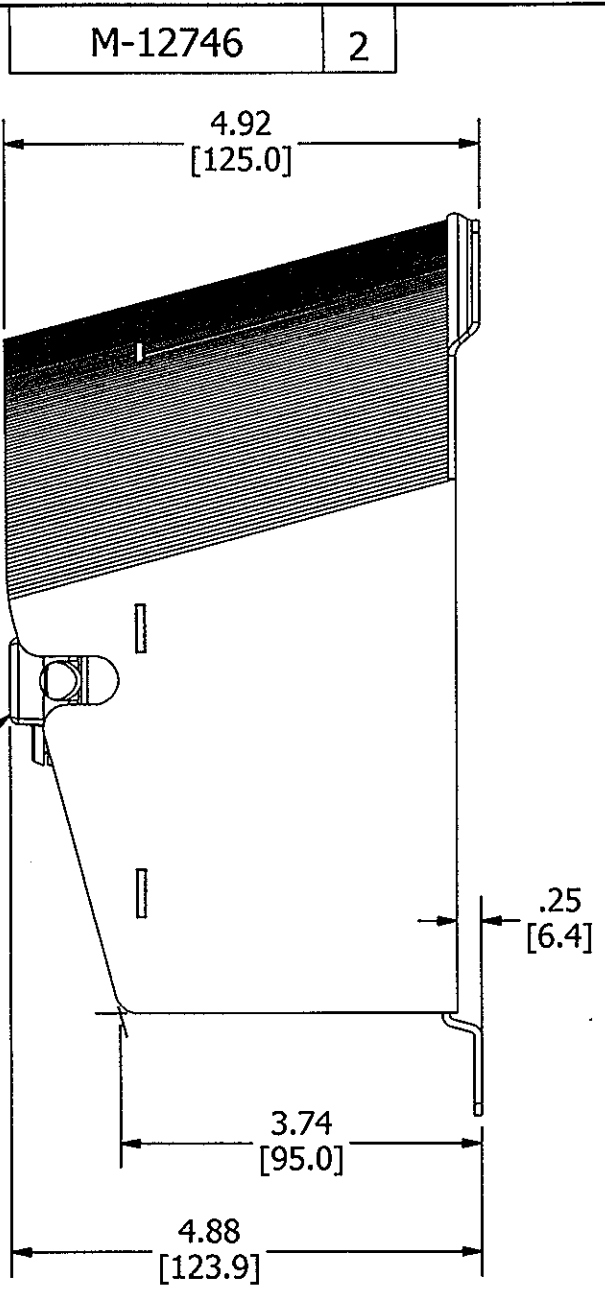
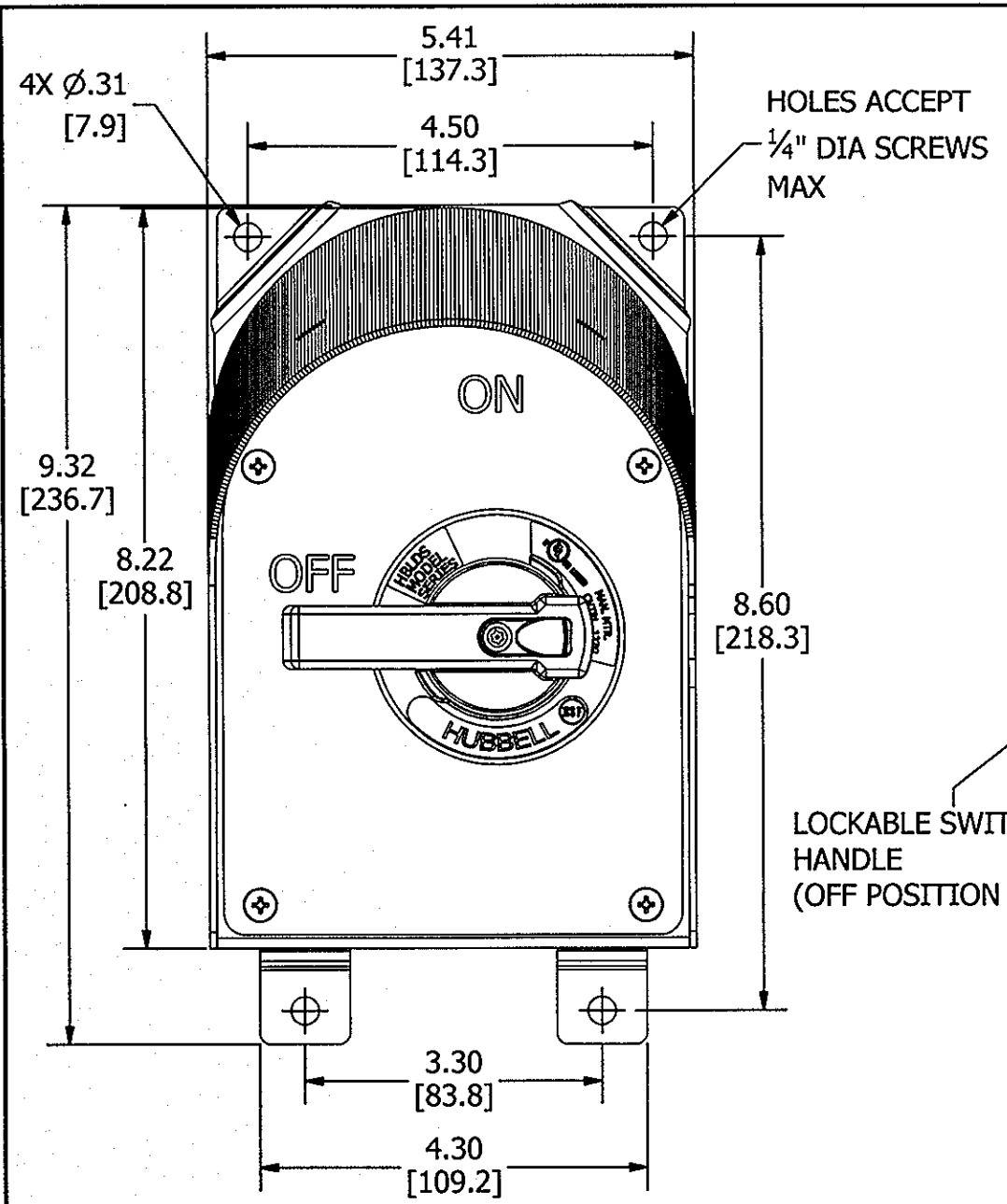
DIMENSION SHEET FOR CAT. NO.

REPAIRABLE NON-REPAIRABLE

B

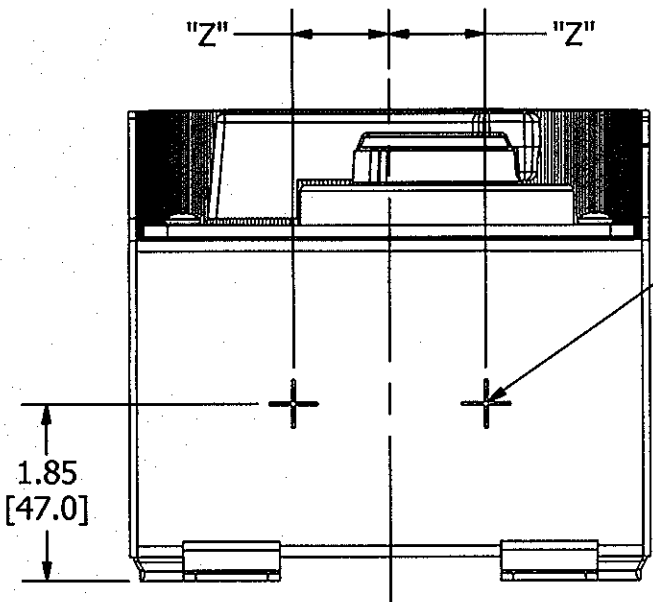
M-12746

2

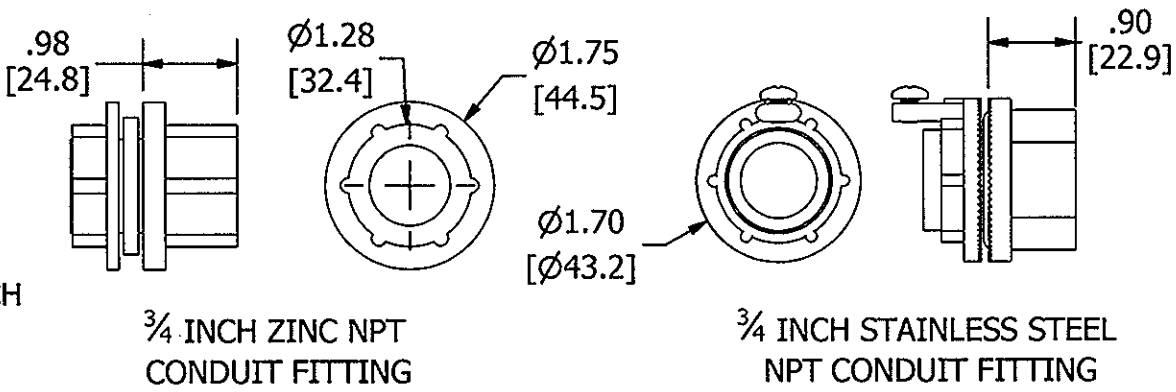


- NOTES UNLESS OTHERWISE SPECIFIED:**
1. CATALOG NUMBER (SEE TABLE)
 2. DIMENSIONS SHOWN ARE IN INCHES [mm].
 3. ENCLOSURE TYPE 4X, IP69k & 12.
 4. cULus LISTED.

30A 600V A.C. RATINGS	
HP	VOLTAGE
1 HP	120V AC 1Ø
3 HP	200-240V AC 1Ø
5 HP	480V AC 1Ø
7.5 HP	200-240V AC 3Ø
15 HP	480V AC 3Ø
15 HP	600V AC 3Ø



DRILL SPOTS FOR 3/4" NPT CONDUIT FITTING, BOTTOM FEED ONLY. INSTALLER TO DRILL OR PUNCH SEE TABLE FOR HOLE SIZE



CATALOG NUMBER	DIMENSION "Z"	CONDUIT HUB			
		MATERIAL	HOLE SIZE (DIA)	QUANTITY	INSTALLED
HBLDS3SSR	1.00 [25.4]	ZINC	1.11 [28.2]	1	NO
HBLDS3SSRAC	1.00 [25.4]	ZINC	1.11 [28.2]	1	NO
HBLDS3SSRVFD	1.00 [25.4]	ZINC	1.11 [28.2]	1	NO
HBLDS3SSR2K	1.125 [28.6]	STAINLESS STEEL	N/A	2	YES

LIST OF PARTS

DESCRIPTION	MATERIAL	FINISH
ENCLOSURE & HARDWARE	STAINLESS STEEL	
HANDLE & MOUNT	PBT	
GASKET	EPDM FOAM	
CONDUIT HUB	ZINC OR STAINLESS STEEL	

SYM	DESCRIPTION	APPROVED	DATE
2	ADDED CND HUB TABLE, CAT. NO. HBLDS3SSR2K. PARTS LIST CND HUB WAS ZINC, 3/4 INCH ZINC NPT CND FTG WAS 3/4 INCH NPT CND FTG PER DCN 21952 JZW	PJB <i>PJB</i>	3/2/2016
1	RELEASED PER DCN# 20826 RGP TLS	TLS	10/07/14

THE DESIGN AND DIMENSIONS OF THE PRODUCT SHOWN ON THIS DRAWING ARE SUBJECT TO CHANGE WITHOUT NOTICE

TITLE
CIRCUIT-LOCK™ 30 AMP SLOPED TOP STAINLESS STEEL DISCONNECT SWITCH

TOLERANCES UNLESS OTHERWISE SPECIFIED		WIRING DEVICE-KELLEMS HUBBELL INCORPORATED SHELTON, CT	
FRACTIONS	± 1/64	DR. BY	RGP
DECIMALS	± .030	APP. BY	TLS
ANGLES	± 2'	TR. BY	
		SCALE	NONE
		CHK'D BY	TLS
		DATE	10/21/2014